



The Timken Company

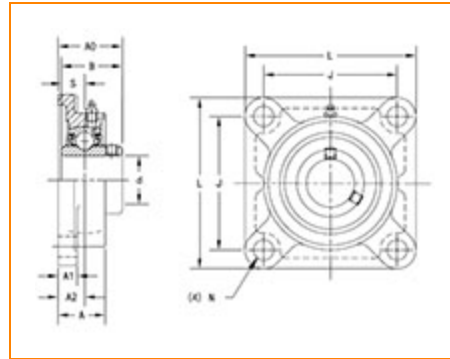
4500 Mt Pleasant St. NW

N. Canton, OH 44720

Phone: (234) 262-3000

E-Mail: CustomerCAD@timken.com • **Web site:** www.timken.com

Part Number UCF211-32, UCF 200 Four-Bolt Flanged Mounted Bearings - Set Screw Locking



[Specifications](#) | [Dimensions](#) | [Basic Load Ratings](#)

Specifications

Bearing Number	UC211-32
Shaft Size d	2 in
UPC Code	087796073814
Locking Style	Set Screw Locking
Housing Construction	Four-Bolt Square Flange

Dimensions

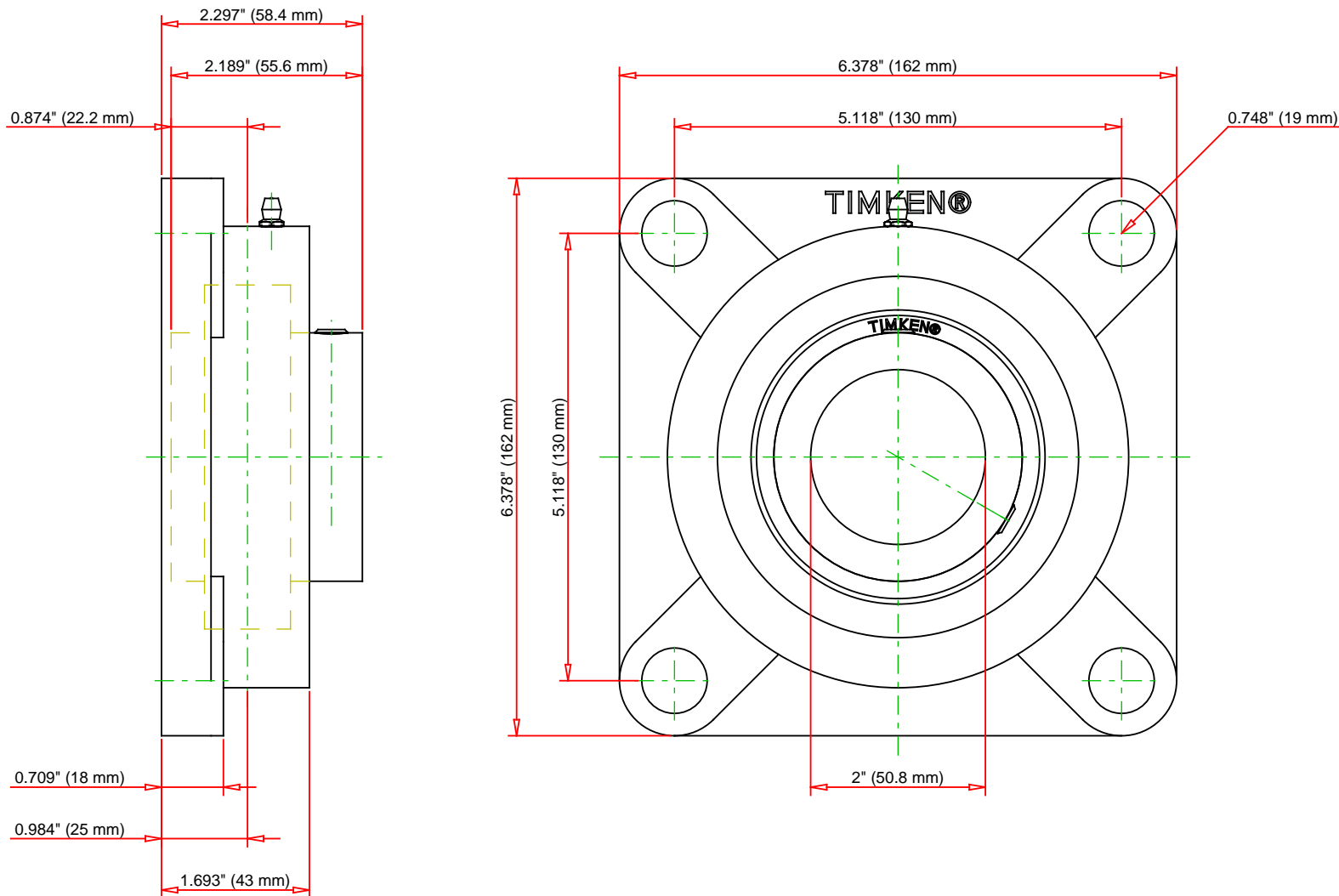
Total Length L	162 mm 6.378 in
Housing Width A	43 mm 1.693 in



Bolt Hole Spacing J	130 mm 5.118 in
Bolt Hole Size N	19 mm 0.748 in
Flange Thickness A1	18 mm 0.709 in
Center of Bearing from Housing End A2	25 mm 0.984 in
Inner Ring Width B	55.6 mm 2.189 in
Center of Bearing from Bearing End S	22.2 mm 0.874 in
Dimension A0	58.4 mm 2.297 in
Bolt Size	M16
Grease Nipple Size	A-R1/8

Basic Load Ratings

Static Load Rating	29400 N 6609 lbf
Dynamic Load Rating	43400 N 9757 lbf



Bearing Number	UC211-32		
Load Ratings - C_r	9757	lbf	43400
Load Ratings - C_{0r}	6609	lbf	29400
Weight	7.5	lb	3.4
Bolt Size	M16		

TIMKEN

THE TIMKEN COMPANY
NORTH CANTON, OHIO USA

UCF211-32
UCF 200 Four-Bolt Flanged Mounted
Bearings - Set Screw Locking

Every reasonable effort has been made to ensure the accuracy of the information contained in this writing, but no liability is accepted for errors, omissions or for any other reason.

FOR DISCUSSION ONLY