



The Timken Company

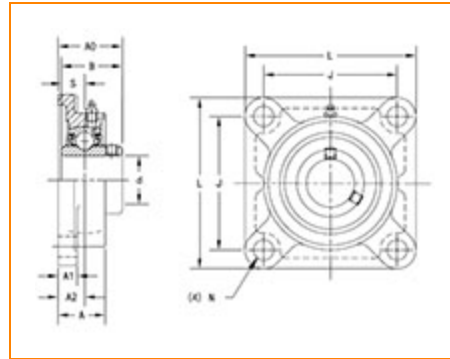
4500 Mt Pleasant St. NW

N. Canton, OH 44720

Phone: (234) 262-3000

E-Mail: CustomerCAD@timken.com • **Web site:** www.timken.com

Part Number UCF212-39, UCF 200 Four-Bolt Flanged Mounted Bearings - Set Screw Locking



[Specifications](#) | [Dimensions](#) | [Basic Load Ratings](#)

Specifications

Bearing Number	UC212-39
Shaft Size d	2 7/16 in
UPC Code	087796073876
Locking Style	Set Screw Locking
Housing Construction	Four-Bolt Square Flange

Dimensions

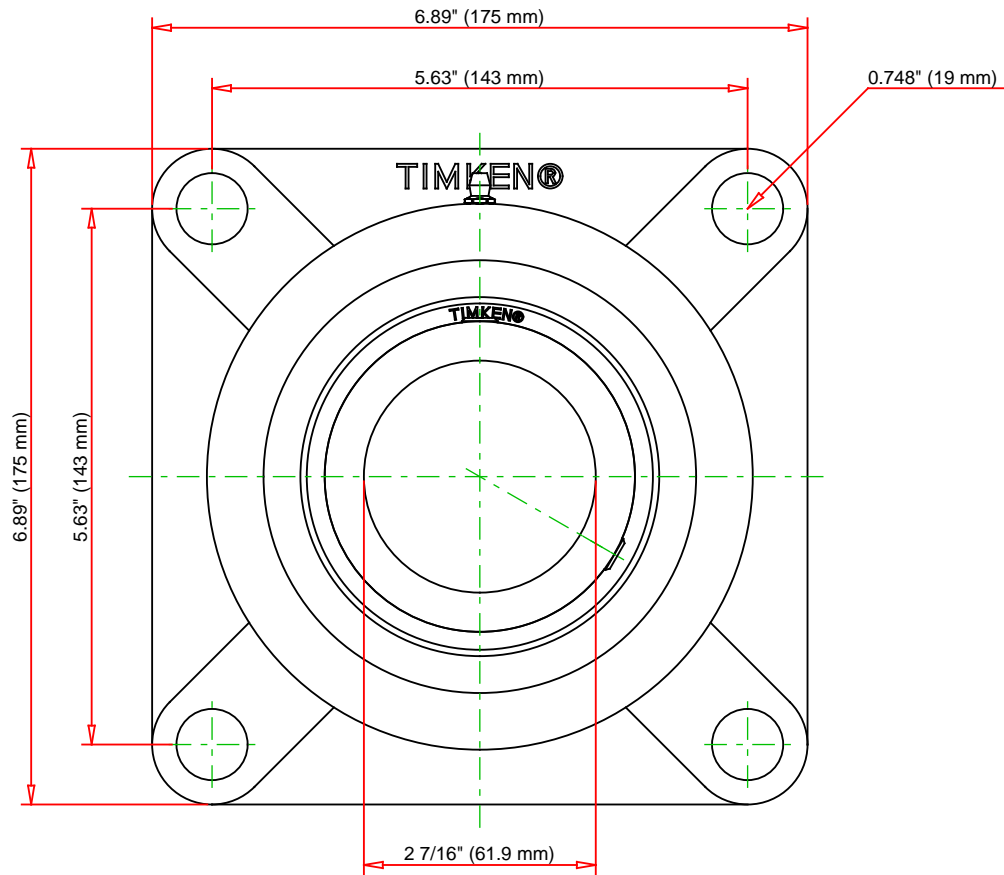
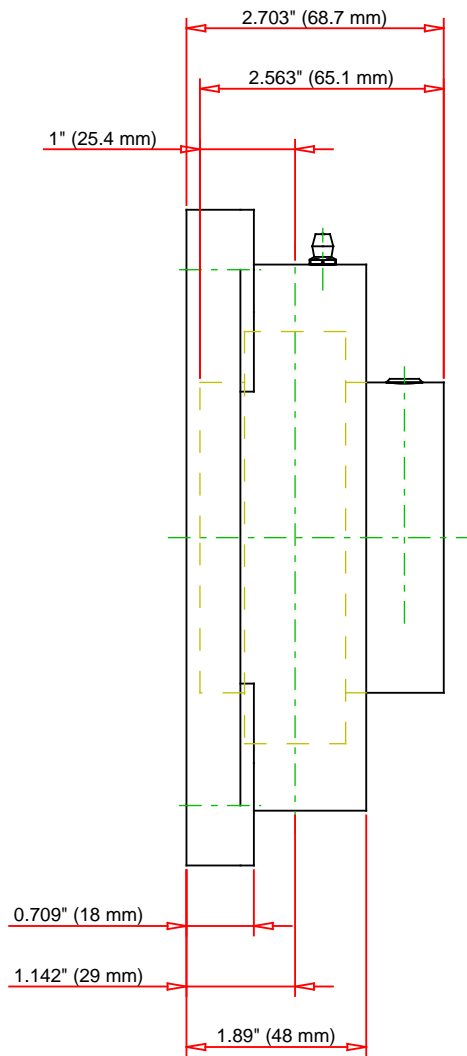
Total Length L	175 mm 6.89 in
Housing Width A	48 mm 1.89 in



Bolt Hole Spacing J	143 mm 5.63 in
Bolt Hole Size N	19 mm 0.748 in
Flange Thickness A1	18 mm 0.709 in
Center of Bearing from Housing End A2	29 mm 1.142 in
Inner Ring Width B	65.1 mm 2.5630 in
Center of Bearing from Bearing End S	25.4 mm 1 in
Dimension A0	68.7 mm 2.703 in
Bolt Size	M16
Grease Nipple Size	A-R1/8

Basic Load Ratings

Static Load Rating	36200 N 8138 lbf
Dynamic Load Rating	52400 N 11780 lbf



Bearing Number	UC212-39			
Load Ratings - C _r	11780	lbf	52400	N
Load Ratings - C _{0r}	8138	lbf	36200	N
Weight	9.3	lb	4.2	kg
Bolt Size	M16			

TIMKEN

THE TIMKEN COMPANY
NORTH CANTON, OHIO USA

UCF212-39

UCF 200 Four-Bolt Flanged Mounted
Bearings - Set Screw Locking

Every reasonable effort has been made to ensure the accuracy of the information contained in this writing, but no liability is accepted for errors, omissions or for any other reason.

FOR DISCUSSION ONLY