



The Timken Company

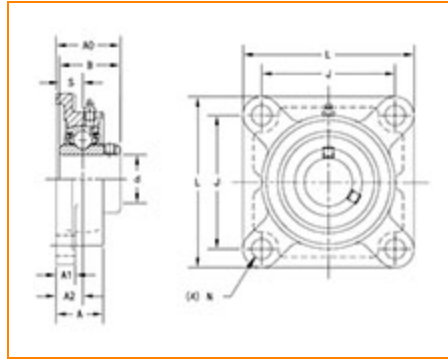
4500 Mt Pleasant St. NW

N. Canton, OH 44720

Phone: (234) 262-3000

E-Mail: CustomerCAD@timken.com • **Web site:** www.timken.com

Part Number UCF218, UCF 200 Four-Bolt Flanged Mounted Bearings - Set Screw Locking



[Specifications](#) | [Dimensions](#) | [Basic Load Ratings](#)

Specifications

Bearing Number	UC218
Shaft Size d	90 mm
UPC Code	087796074026
Locking Style	Set Screw Locking
Housing Construction	Four-Bolt Square Flange

Dimensions

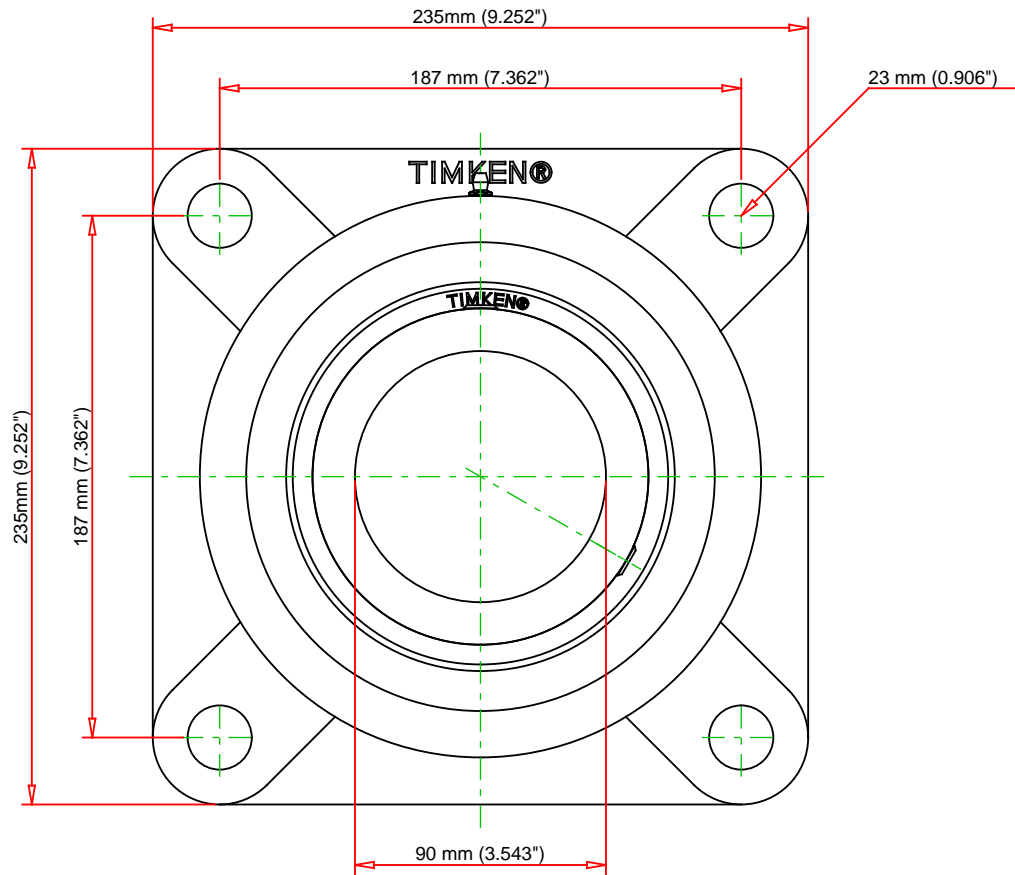
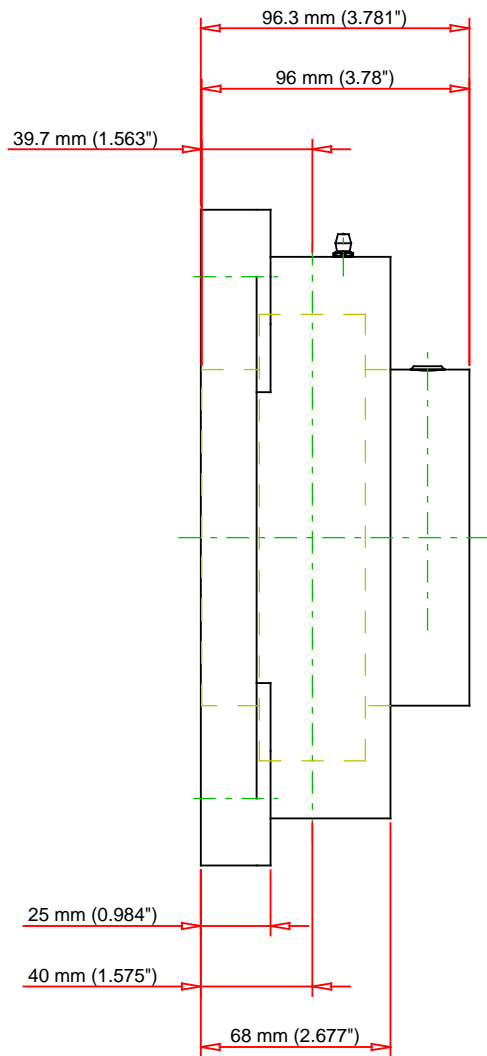
Total Length L	235 mm 9.252 in
-----------------------	--------------------



Housing Width A	68 mm 2.677 in
Bolt Hole Spacing J	187 mm 7.362 in
Bolt Hole Size N	23 mm 0.906 in
Flange Thickness A1	25 mm 0.984 in
Center of Bearing from Housing End A2	40 mm 1.575 in
Inner Ring Width B	96 mm 3.780 in
Center of Bearing from Bearing End S	39.7 mm 1.563 in
Dimension A0	96.3 mm 3.781 in
Bolt Size	M20
Grease Nipple Size	A-R1/8

Basic Load Ratings

Static Load Rating	71500 N 16074 lbf
Dynamic Load Rating	96100 N 21604 lbf



Bearing Number	UC218			
Load Ratings - C _r	21604	lbf	96100	N
Load Ratings - C _{0r}	16074	lbf	71500	N
Weight	25.1	lb	11.4	kg
Bolt Size	M20			

TIMKEN

THE TIMKEN COMPANY
NORTH CANTON, OHIO USA

UCF218

UCF 200 Four-Bolt Flanged Mounted
Bearings - Set Screw Locking

Every reasonable effort has been made to ensure the accuracy of the information contained in this writing, but no liability is accepted for errors, omissions or for any other reason.

FOR DISCUSSION ONLY