



**The Timken Company**

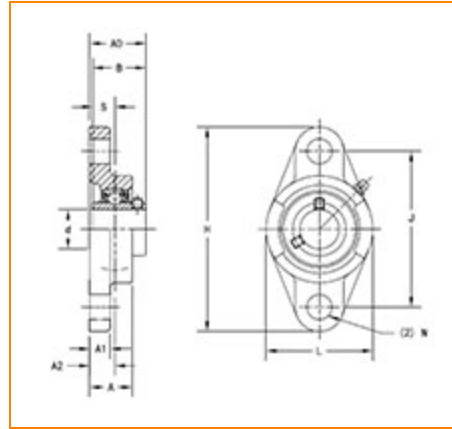
4500 Mt Pleasant St. NW

N. Canton, OH 44720

**Phone:** (234) 262-3000

**E-Mail:** [CustomerCAD@timken.com](mailto:CustomerCAD@timken.com) • **Web site:** [www.timken.com](http://www.timken.com)

## Part Number UCFL201, UCFL 200 Two-Bolt Flanged Mounted Bearings - Set Screw Locking



[Specifications](#) | [Dimensions](#) | [Basic Load Ratings](#)

### Specifications

<b>Bearing Number</b>	UC201
<b>Shaft Size d</b>	12 mm
<b>UPC Code</b>	087796074033
<b>Locking Style</b>	Set Screw Locking
<b>Housing Construction</b>	Two-Bolt Flange

### Dimensions

<b>Total Length H</b>	113 mm 4.449 in
<b>Total Height L</b>	60 mm 2.362 in



**Housing Width A** 25.5 mm  
1.004 in

**Bolt Hole Spacing J** 90 mm  
3.543 in

**Bolt Hole Size N** 12 mm  
0.472 in

**Flange Thickness A1** 11 mm  
0.433 in

**Center of Bearing from Housing End A2** 15 mm  
0.591 in

**Inner Ring Width B** 31 mm  
1.22 in

**Center of Bearing from Bearing End S** 12.7 mm  
0.5 in

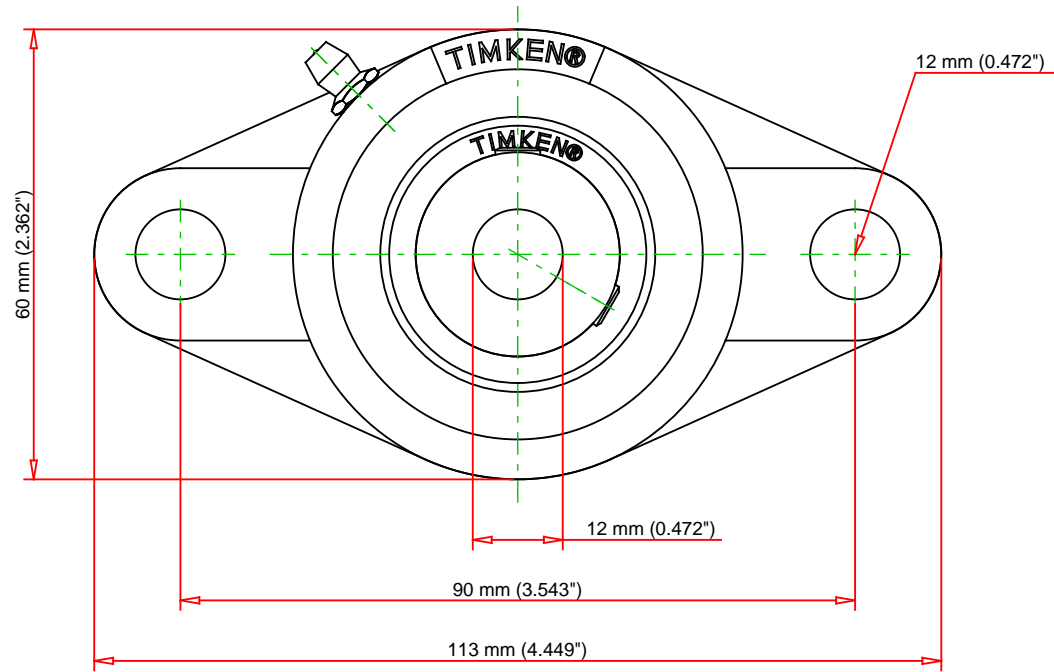
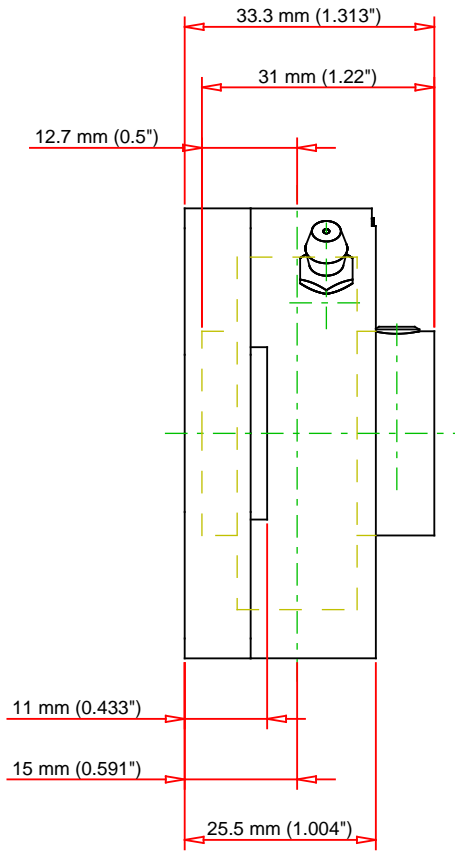
**Dimension A0** 33.3 mm  
1.313 in

**Bolt Size** M10

## Basic Load Ratings

**Static Load Rating** 6650 N  
1495 lbf

**Dynamic Load Rating** 12800 N  
2878 lbf



Bearing Number	UC201			
Load Ratings - $C_r$	2878	lbf	12800	N
Load Ratings - $C_{0r}$	1495	lbf	6650	N
Weight	1.1	lb	0.5	kg
Bolt Size	M10			

**TIMKEN**

THE TIMKEN COMPANY  
NORTH CANTON, OHIO USA

**UCFL201**  
UCFL 200 Two-Bolt Flanged Mounted  
Bearings - Set Screw Locking

Every reasonable effort has been made to ensure the accuracy of the information contained in this writing, but no liability is accepted for errors, omissions or for any other reason.

**FOR DISCUSSION ONLY**