



The Timken Company

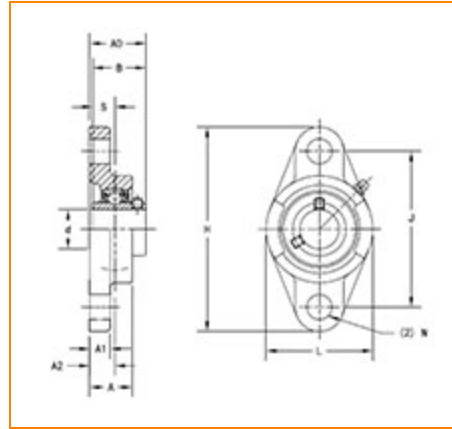
4500 Mt Pleasant St. NW

N. Canton, OH 44720

Phone: (234) 262-3000

E-Mail: CustomerCAD@timken.com • **Web site:** www.timken.com

Part Number UCFL203, UCFL 200 Two-Bolt Flanged Mounted Bearings - Set Screw Locking



[Specifications](#) | [Dimensions](#) | [Basic Load Ratings](#)

Specifications

Bearing Number	UC203
Shaft Size d	17 mm
UPC Code	087796074507
Locking Style	Set Screw Locking
Housing Construction	Two-Bolt Flange

Dimensions

Total Length H	113 mm 4.449 in
Total Height L	60 mm 2.362 in



Housing Width A 25.5 mm
1.004 in

Bolt Hole Spacing J 90 mm
3.543 in

Bolt Hole Size N 12 mm
0.472 in

Flange Thickness A1 11 mm
0.433 in

Center of Bearing from Housing End A2 15 mm
0.591 in

Inner Ring Width B 31 mm
1.22 in

Center of Bearing from Bearing End S 12.7 mm
0.5 in

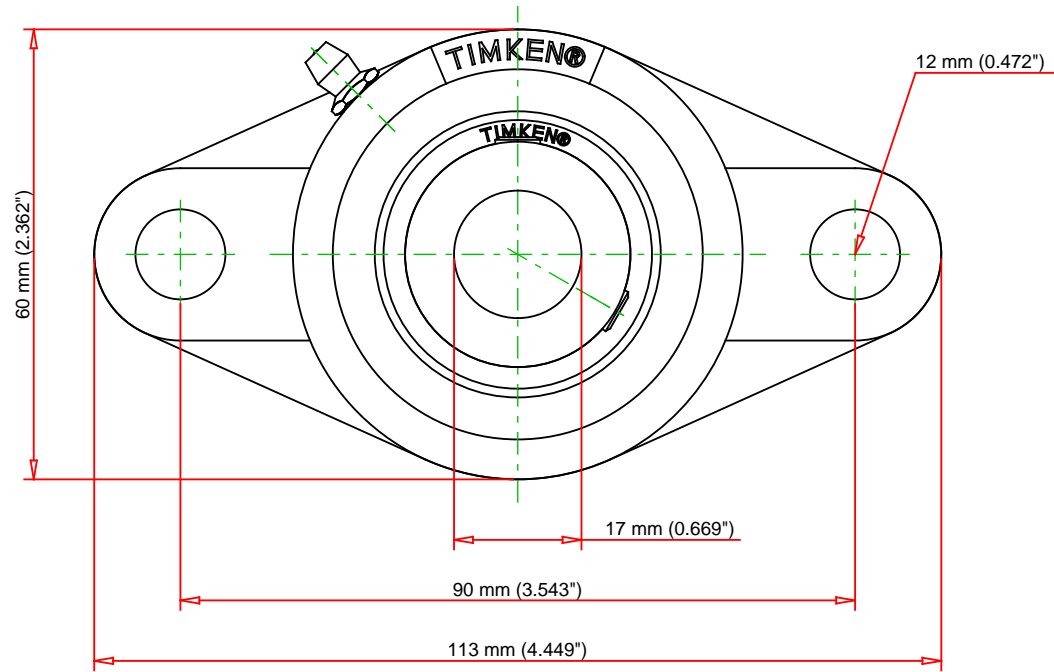
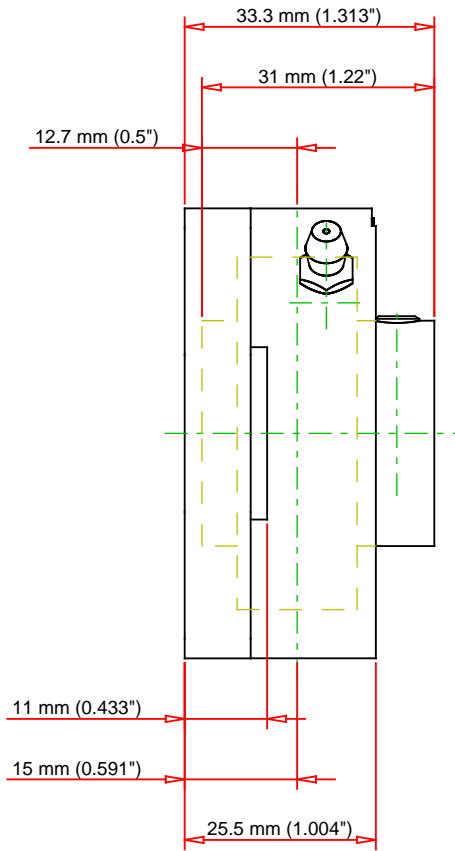
Dimension A0 33.3 mm
1.313 in

Bolt Size M10

Basic Load Ratings

Static Load Rating 6650 N
1495 lbf

Dynamic Load Rating 12800 N
2878 lbf



Bearing Number	UC203			
Load Ratings - C _r	2878	lbf	12800	N
Load Ratings - C _{0r}	1495	lbf	6650	N
Weight	1.1	lb	0.5	kg
Bolt Size	M10			

TIMKEN

THE TIMKEN COMPANY
 NORTH CANTON, OHIO USA

UCFL203
 UCFL 200 Two-Bolt Flanged Mounted
 Bearings - Set Screw Locking

Every reasonable effort has been made to ensure the accuracy of the information contained in this writing, but no liability is accepted for errors, omissions or for any other reason.

FOR DISCUSSION ONLY