



**The Timken Company**

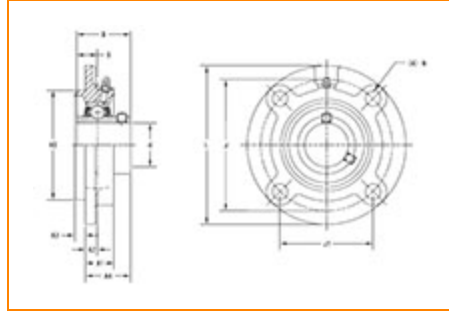
4500 Mt Pleasant St. NW

N. Canton, OH 44720

**Phone:** (234) 262-3000

**E-Mail:** [CustomerCAD@timken.com](mailto:CustomerCAD@timken.com) • **Web site:** [www.timken.com](http://www.timken.com)

## Part Number UCFC211, UCFC 200 Piloted Round Flanged Mounted Bearings - Set Screw Locking



[Specifications](#) | [Dimensions](#) | [Basic Load Ratings](#)

### Specifications

<b>Bearing Number</b>	UC211
<b>Shaft Size d</b>	55 mm
<b>UPC Code</b>	087796076082
<b>Locking Style</b>	Set Screw Locking
<b>Housing Construction</b>	Round Flange

### Dimensions

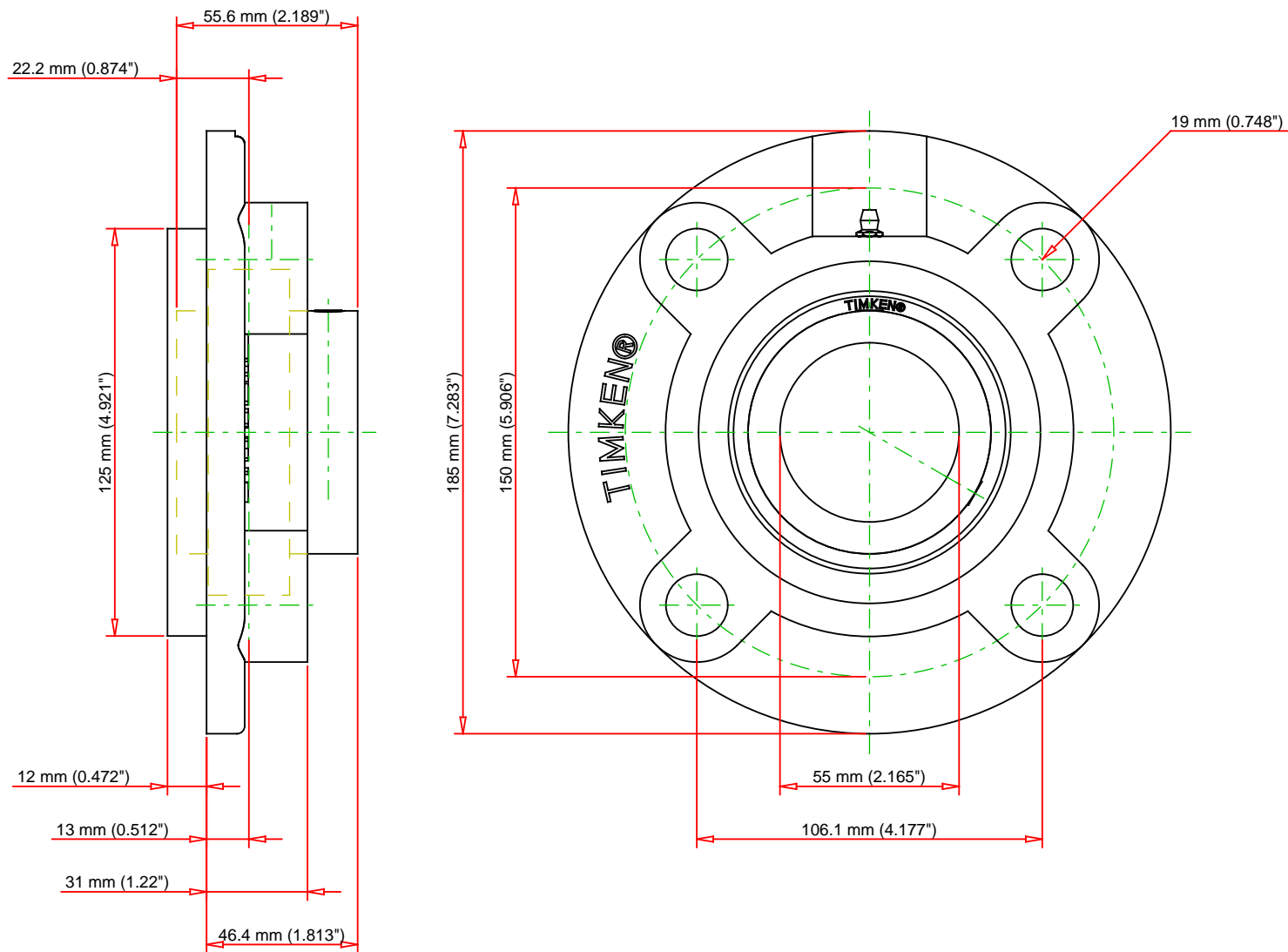
<b>Total Height L</b>	185.000 mm 7.283 in
<b>Pilot Outside Diameter H3</b>	125 mm



<b>Bolt Circle Diameter J</b>	150 mm 5.906 in
<b>Bolt Hole Spacing J1</b>	106.1 mm 4.177 in
<b>Bolt Hole Size N</b>	19 mm 0.748 in
<b>Flange Width A1</b>	31 mm 1.22 in
<b>Center of Bearing from Housing End A2</b>	13 mm 0.512 in
<b>Pilot Width A3</b>	12 mm
<b>Inner Ring Width B</b>	55.6 mm 2.189 in
<b>Center of Bearing from Bearing End S</b>	22.2 mm 0.874 in
<b>Dimension A4</b>	46.4 mm 1.813 in

## Basic Load Ratings

<b>Static Load Rating</b>	29400 N 6609 lbf
<b>Dynamic Load Rating</b>	43400 N 9757 lbf



Bearing Number	UC211			
Load Ratings - C <sub>r</sub>	9757	lbf	43400	N
Load Ratings - C <sub>0r</sub>	6609	lbf	29400	N
Weight	9.3	lb	4.2	kg
Bolt Size	M16			

**TIMKEN**

THE TIMKEN COMPANY  
NORTH CANTON, OHIO USA

**UCFC211**

UCFC 200 Piloted Round Flanged Mounted Bearings - Set Screw Locking

Every reasonable effort has been made to ensure the accuracy of the information contained in this writing, but no liability is accepted for errors, omissions or for any other reason.

**FOR DISCUSSION ONLY**