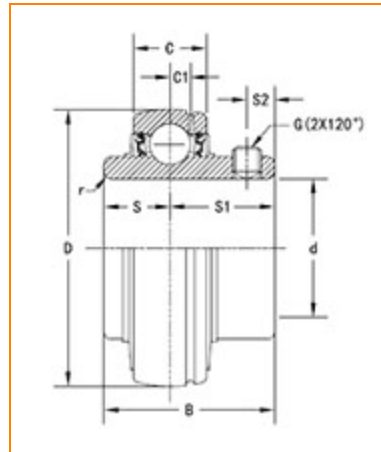


TIMKEN**The Timken Company**

4500 Mt Pleasant St. NW

N. Canton, OH 44720

Phone: (234) 262-3000**E-Mail:** CustomerCAD@timken.com • **Web site:** www.timken.com**Part Number UC207-21, UC 200 Wide Inner Ring Ball Bearings - Set Screw Locking**
[Specifications](#) | [Dimensions](#) | [Basic Load Ratings](#)
Specifications

Bore Type	Cylindrical bore
Bearing Type	Ball Bearing
Shaft Size d	1 5/16 in
Locking Device	Set Screw Locking

Dimensions

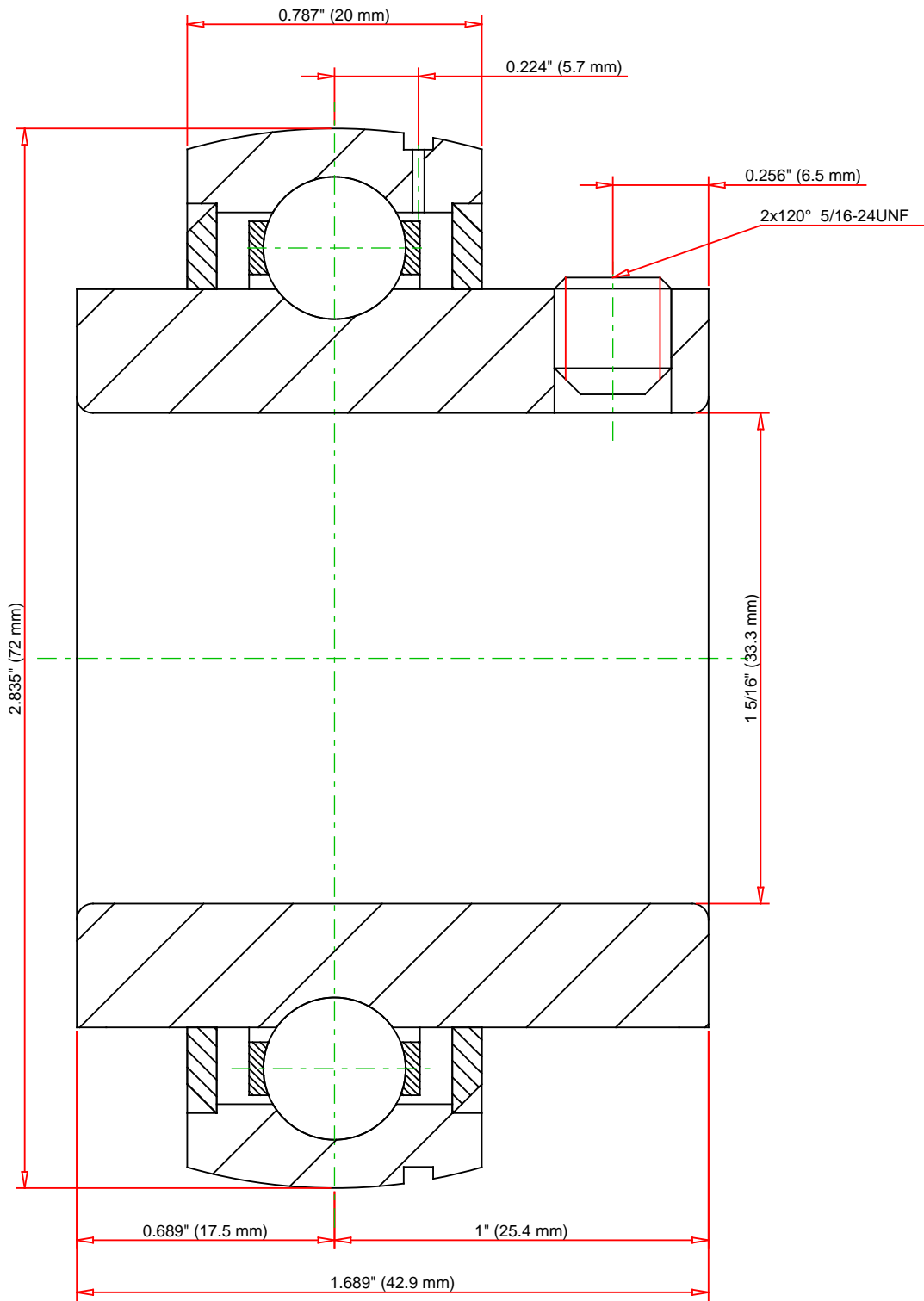
Outside Diameter D	72 mm 2.835 in
Outside Ring Width C	20 mm 0.787 in
Radius r	1.1 mm 0.043 in



Groove Position C1	5.7 mm 0.224 in
Center of Bearing from End S	17.5 mm 0.689 in
Dimension S1	25.4 mm 1 in
Set Screw Distance S2	6.5 mm 0.256 in
Set Screw Size	5/16-24UNF
Number of Set Screws	2
Angle between Set Screws	120 °

Basic Load Ratings

Static Load Rating	15400 N 3462 lbf
Dynamic Load Rating	25700 N 5778 lbf



Weight	1.12 lb	0.5 kg
--------	---------	--------

TIMKEN[®]

THE TIMKEN COMPANY
NORTH CANTON, OHIO USA

UC207-21
UC 200 Wide Inner Ring Ball Bearings - Set Screw Locking

Basic Load Ratings - C _r	5778 lbf	25700 N
Load Ratings - C _{0r}	3462 lbf	15400 N

Every reasonable effort has been made to ensure the accuracy of the information contained in this writing, but no liability is accepted for errors, omissions or for any other reason.

FOR DISCUSSION ONLY