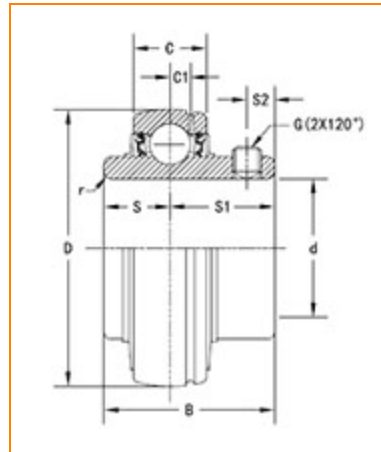


TIMKEN**The Timken Company**

4500 Mt Pleasant St. NW

N. Canton, OH 44720

Phone: (234) 262-3000**E-Mail:** CustomerCAD@timken.com • **Web site:** www.timken.com**Part Number UC208-25, UC 200 Wide Inner Ring Ball Bearings - Set Screw Locking**
[Specifications](#) | [Dimensions](#) | [Basic Load Ratings](#)
Specifications

Bore Type	Cylindrical bore
Bearing Type	Ball Bearing
Shaft Size d	1 9/16 in
Locking Device	Set Screw Locking

Dimensions

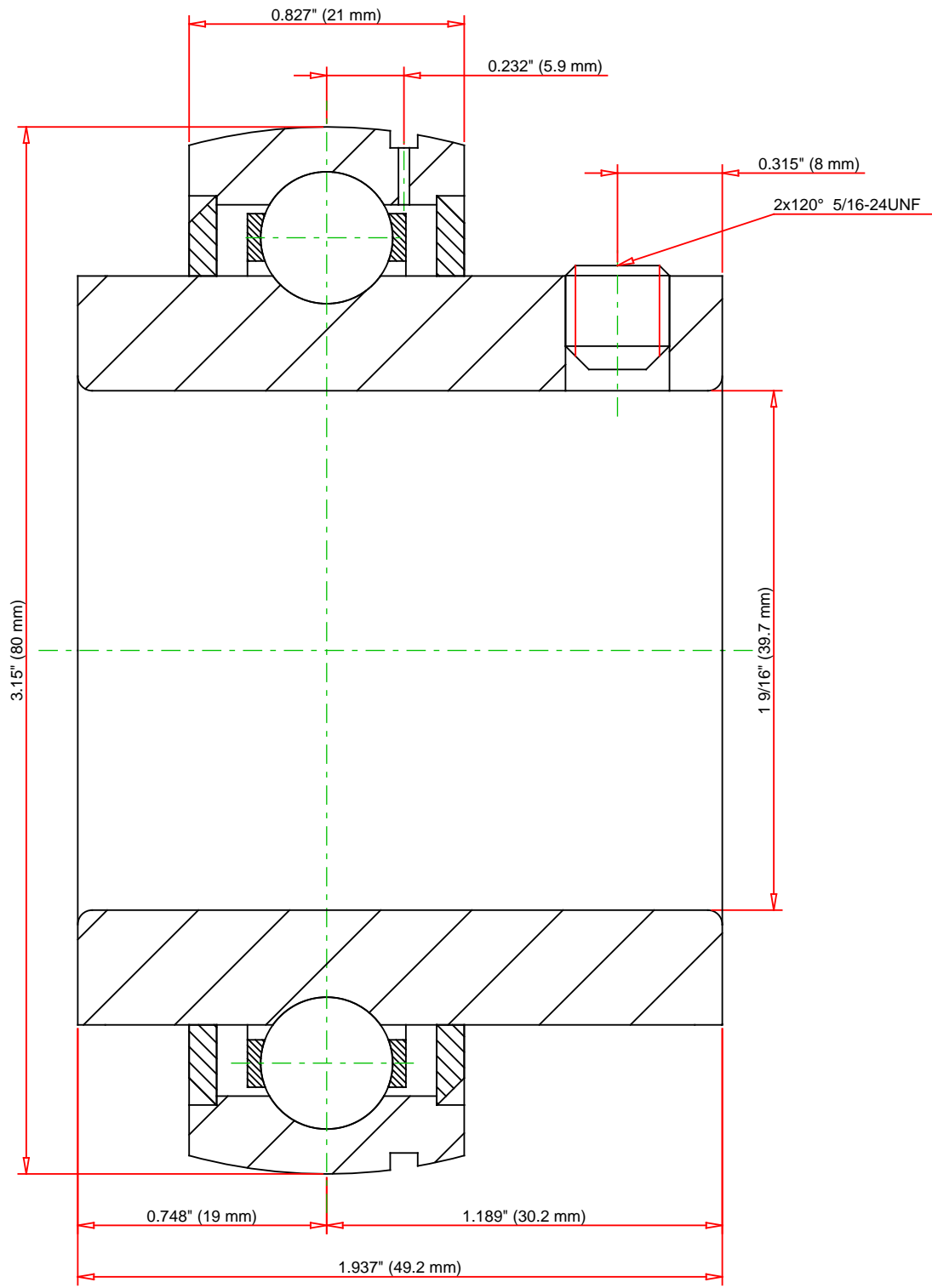
Outside Diameter D	80 mm 3.15 in
Outside Ring Width C	21 mm 0.827 in
Radius r	1.1 mm 0.043 in



Groove Position C1	5.9 mm 0.232 in
Center of Bearing from End S	19 mm 0.748 in
Dimension S1	30.2 mm 1.189 in
Set Screw Distance S2	8 mm 0.315 in
Set Screw Size	5/16-24UNF
Number of Set Screws	2
Angle between Set Screws	120 °

Basic Load Ratings

Static Load Rating	17800 N 4002 lbf
Dynamic Load Rating	29100 N 6542 lbf



Weight	1.5 lb	0.7 kg
--------	--------	--------

TIMKEN®

THE TIMKEN COMPANY
NORTH CANTON, OHIO USA

UC208-25

UC 200 Wide Inner Ring Ball Bearings - Set Screw Locking

Basic Load Ratings - C _r	6542 lbf	29100 N
Load Ratings - C _{0r}	4002 lbf	17800 N

Every reasonable effort has been made to ensure the accuracy of the information contained in this writing, but no liability is accepted for errors, omissions or for any other reason.

FOR DISCUSSION ONLY