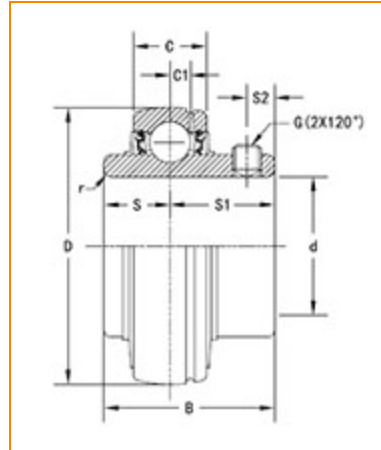


TIMKEN**The Timken Company**

4500 Mt Pleasant St. NW

N. Canton, OH 44720

Phone: (234) 262-3000**E-Mail:** CustomerCAD@timken.com • **Web site:** www.timken.com**Part Number UC210-30, UC 200 Wide Inner Ring Ball Bearings - Set Screw Locking**
[Specifications](#) | [Dimensions](#) | [Basic Load Ratings](#)
Specifications

Bore Type	Cylindrical bore
Bearing Type	Ball Bearing
Shaft Size d	1 7/8 in
Locking Device	Set Screw Locking

Dimensions

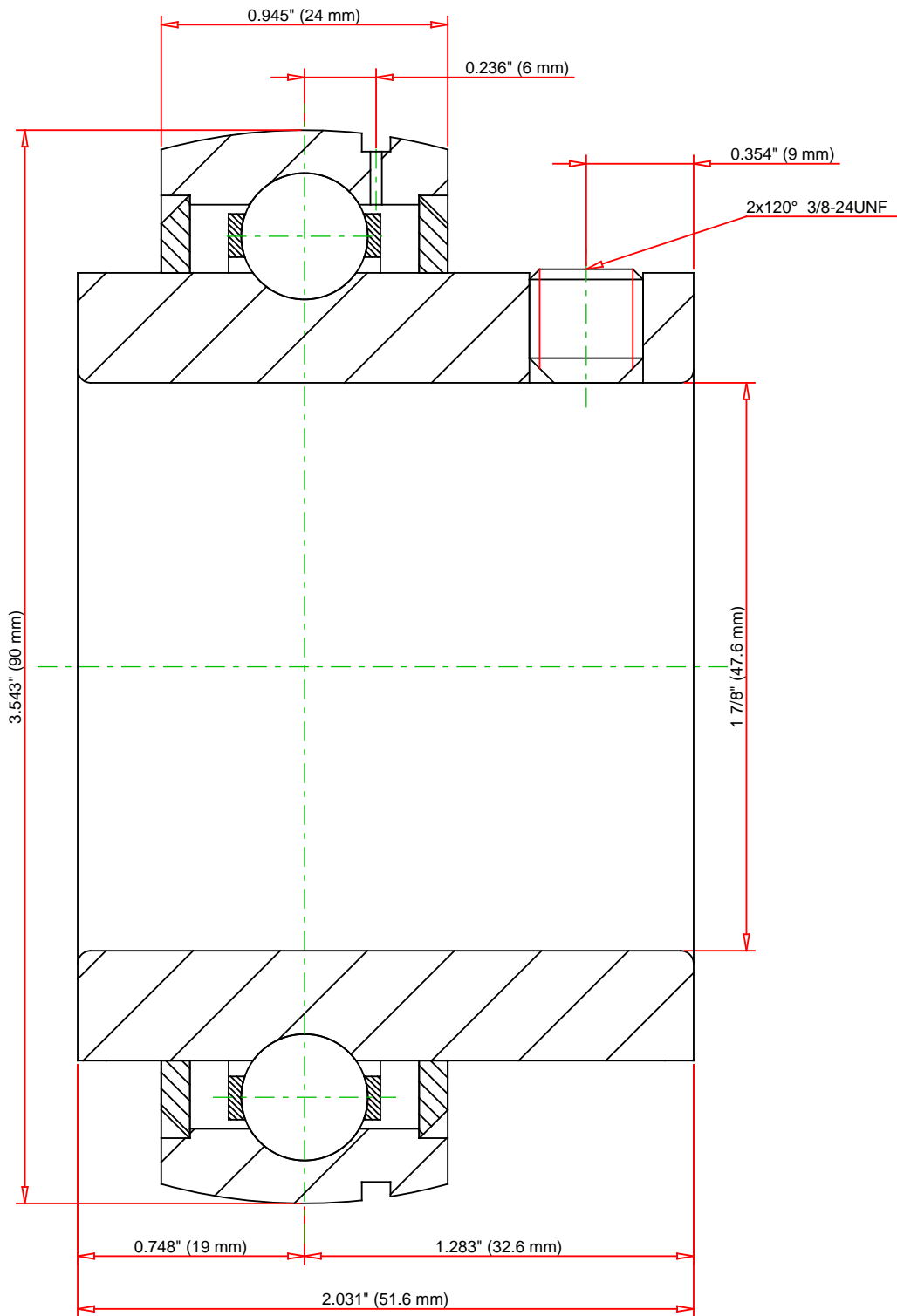
Outside Diameter D	90 mm 3.543 in
Outside Ring Width C	24 mm 0.945 in
Radius r	1.1 mm 0.043 in



Groove Position C1	6 mm 0.236 in
Center of Bearing from End S	19 mm 0.748 in
Dimension S1	32.6 mm 1.283 in
Set Screw Distance S2	9 mm 0.354 in
Set Screw Size	3/8-24UNF
Number of Set Screws	2
Angle between Set Screws	120 °

Basic Load Ratings

Static Load Rating	23300 N 5238 lbf
Dynamic Load Rating	35100 N 7891 lbf



Weight	2 lb	0.9 kg
--------	------	--------

TIMKEN[®]

THE TIMKEN COMPANY
NORTH CANTON, OHIO USA

UC210-30
UC 200 Wide Inner Ring Ball Bearings - Set Screw Locking

Basic Load Ratings - C _r	7891 lbf	35100 N
Load Ratings - C _{0r}	5238 lbf	23300 N

Every reasonable effort has been made to ensure the accuracy of the information contained in this writing, but no liability is accepted for errors, omissions or for any other reason.

FOR DISCUSSION ONLY