



**The Timken Company**

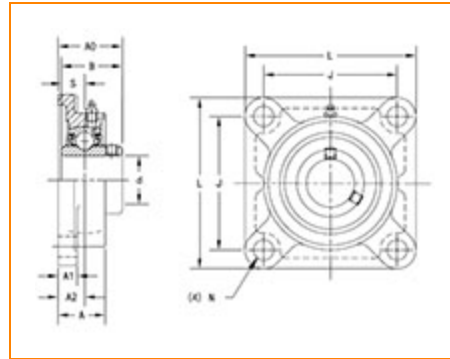
4500 Mt Pleasant St. NW

N. Canton, OH 44720

**Phone:** (234) 262-3000

**E-Mail:** [CustomerCAD@timken.com](mailto:CustomerCAD@timken.com) • **Web site:** [www.timken.com](http://www.timken.com)

## Part Number UCF211-35, UCF 200 Four-Bolt Flanged Mounted Bearings - Set Screw Locking



[Specifications](#) | [Dimensions](#) | [Basic Load Ratings](#)

### Specifications

<b>Bearing Number</b>	UC211-35
<b>UPC Code</b>	087796140240
<b>Locking Style</b>	Set Screw Locking
<b>Housing Construction</b>	Four-Bolt Square Flange

### Dimensions

<b>Total Length L</b>	162 mm
<b>Housing Width A</b>	43 mm
<b>Bolt Hole Spacing J</b>	130 mm
<b>Bolt Hole Size N</b>	19 mm



<b>Flange Thickness A1</b>	18 mm
----------------------------	-------

<b>Center of Bearing from Housing End A2</b>	25 mm
--	-------

<b>Inner Ring Width B</b>	55.6 mm
---------------------------	---------

<b>Center of Bearing from Bearing End S</b>	22.2 mm
---	---------

<b>Dimension A0</b>	58.4 mm
---------------------	---------

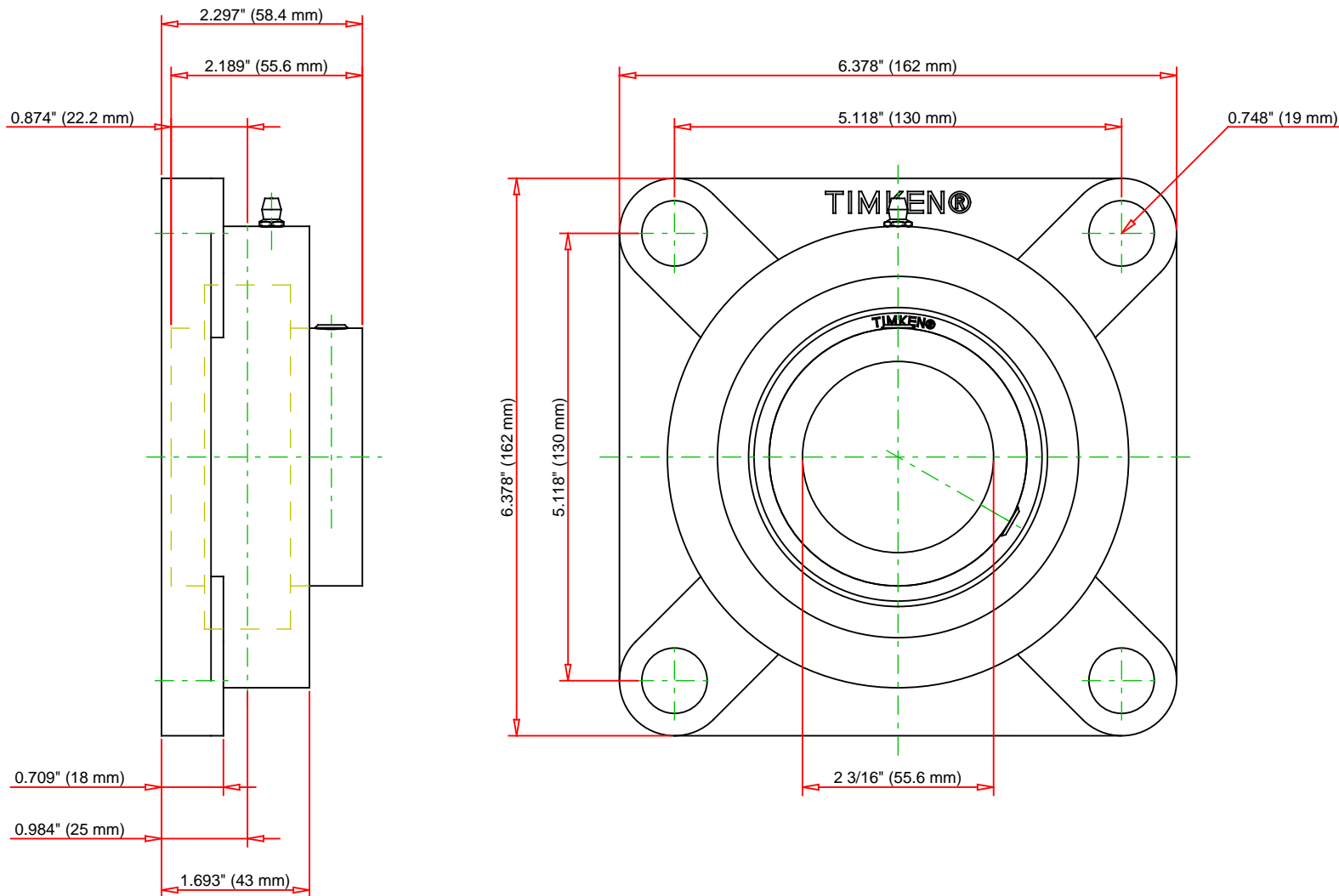
<b>Bolt Size</b>	M16
------------------	-----

<b>Grease Nipple Size</b>	A-R1/8
---------------------------	--------

## Basic Load Ratings

<b>Static Load Rating</b>	29400 N
---------------------------	---------

<b>Dynamic Load Rating</b>	43400 N
----------------------------	---------



Bearing Number	UC211-35		
Load Ratings - $C_r$	9757	lbf	43400
Load Ratings - $C_{0r}$	6609	lbf	29400
Weight	7.5	lb	3.4
Bolt Size	M16		

**TIMKEN**

THE TIMKEN COMPANY  
NORTH CANTON, OHIO USA

**UCF211-35**  
UCF 200 Four-Bolt Flanged Mounted  
Bearings - Set Screw Locking

Every reasonable effort has been made to ensure the accuracy of the information contained in this writing, but no liability is accepted for errors, omissions or for any other reason.

**FOR DISCUSSION ONLY**