



**The Timken Company**

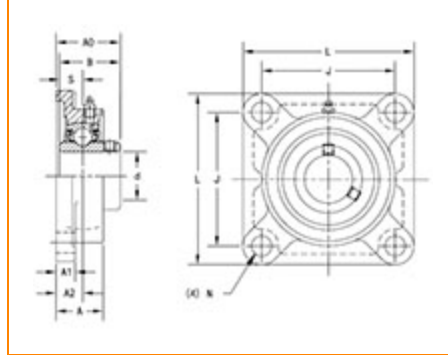
4500 Mt Pleasant St. NW

N. Canton, OH 44720

**Phone:** (234) 262-3000

**E-Mail:** [CustomerCAD@timken.com](mailto:CustomerCAD@timken.com) • **Web site:** [www.timken.com](http://www.timken.com)

## Part Number UCF212-38, UCF 200 Four-Bolt Flanged Mounted Bearings - Set Screw Locking



[Specifications](#) | [Dimensions](#) | [Basic Load Ratings](#)

### Specifications

<b>Bearing Number</b>	UC212-38
<b>Shaft Size d</b>	2.375 in
<b>UPC Code</b>	087796139510
<b>Locking Style</b>	Set Screw Locking
<b>Housing Construction</b>	Four-Bolt Square Flange

### Dimensions

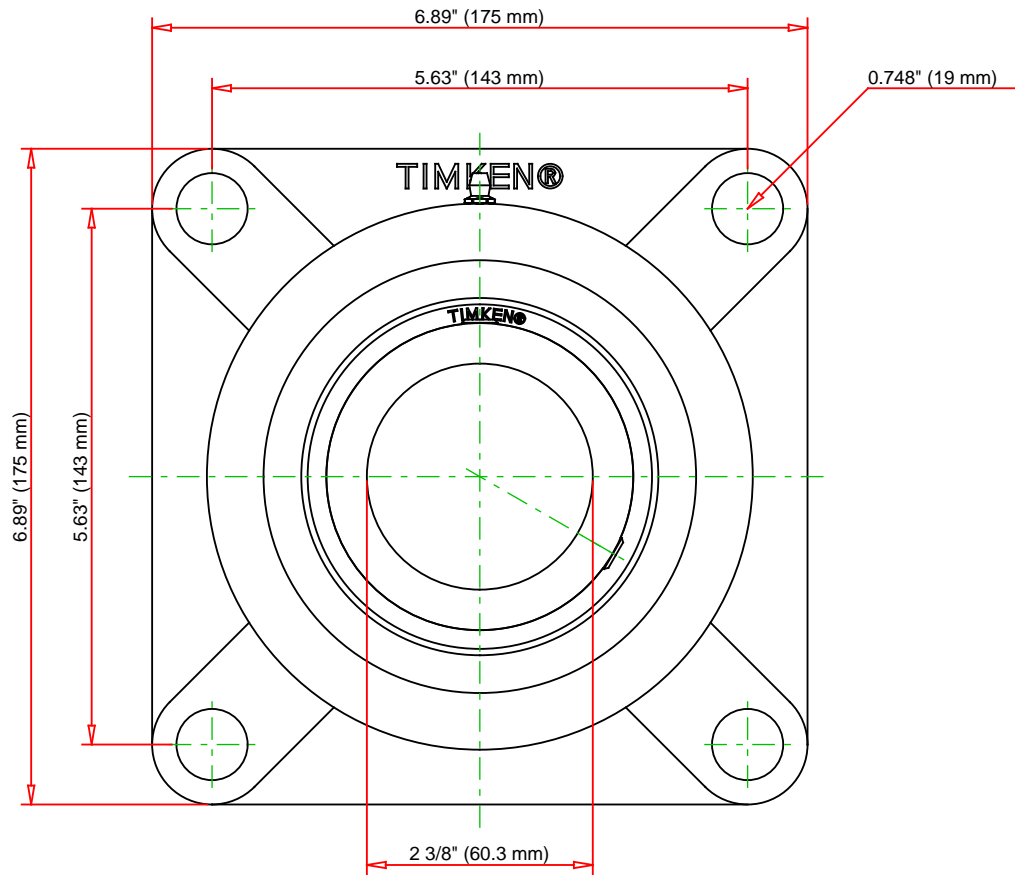
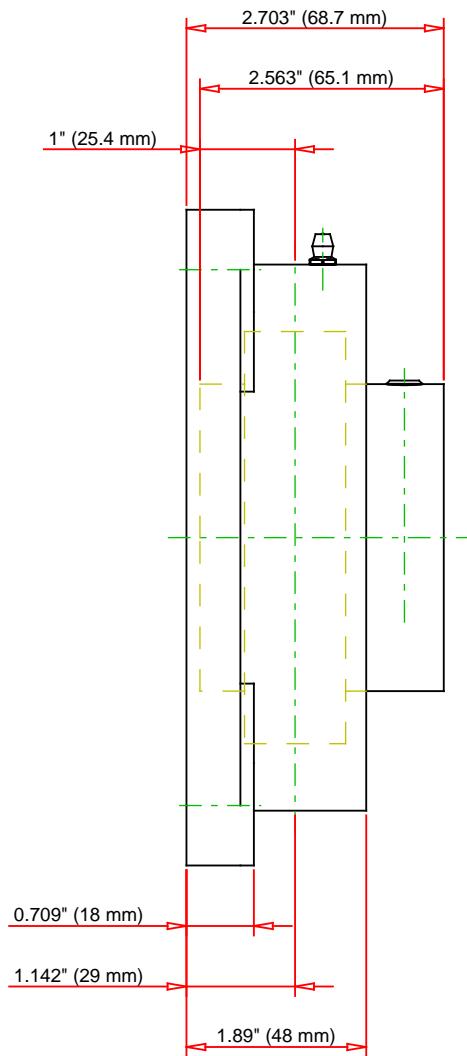
<b>Total Length L</b>	175 mm 6.89 in
<b>Housing Width A</b>	48 mm 1.89 in



<b>Bolt Hole Spacing J</b>	143 mm 5.63 in
<b>Bolt Hole Size N</b>	19 mm 0.748 in
<b>Flange Thickness A1</b>	18 mm 0.709 in
<b>Center of Bearing from Housing End A2</b>	29 mm 1.142 in
<b>Inner Ring Width B</b>	65.1 mm 2.5630 in
<b>Center of Bearing from Bearing End S</b>	25.4 mm 1 in
<b>Dimension A0</b>	68.7 mm 2.703 in
<b>Bolt Size</b>	M16
<b>Grease Nipple Size</b>	A-R1/8

## Basic Load Ratings

<b>Static Load Rating</b>	36200 N 8138 lbf
<b>Dynamic Load Rating</b>	52400 N 11780 lbf



Bearing Number	UC212-38			
Load Ratings - C <sub>r</sub>	11780	lbf	52400	N
Load Ratings - C <sub>0r</sub>	8138	lbf	36200	N
Weight	9.3	lb	4.2	kg
Bolt Size	M16			

**TIMKEN**

THE TIMKEN COMPANY  
NORTH CANTON, OHIO USA

**UCF212-38**

UCF 200 Four-Bolt Flanged Mounted  
Bearings - Set Screw Locking

Every reasonable effort has been made to ensure the accuracy of the information contained in this writing, but no liability is accepted for errors, omissions or for any other reason.

**FOR DISCUSSION ONLY**