



The Timken Company

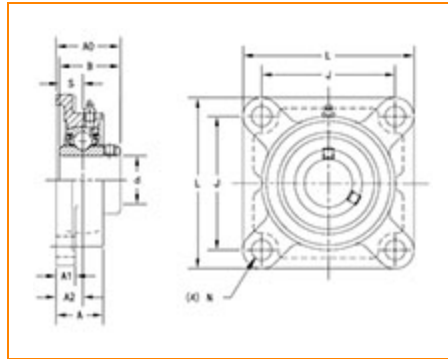
4500 Mt Pleasant St. NW

N. Canton, OH 44720

Phone: (234) 262-3000

E-Mail: CustomerCAD@timken.com • **Web site:** www.timken.com

Part Number UCF218-56, UCF 200 Four-Bolt Flanged Mounted Bearings - Set Screw Locking



[Specifications](#) | [Dimensions](#) | [Basic Load Ratings](#)

Specifications

Bearing Number	UC218-56
UPC Code	087796140936
Locking Style	Set Screw Locking
Housing Construction	Four-Bolt Square Flange

Dimensions

Total Length L	235 mm
Housing Width A	68 mm
Bolt Hole Spacing J	187 mm
Bolt Hole Size N	23 mm



Flange Thickness A1	25 mm
----------------------------	-------

Center of Bearing from Housing End A2	40 mm
--	-------

Inner Ring Width B	96 mm
---------------------------	-------

Center of Bearing from Bearing End S	39.7 mm
---	---------

Dimension A0	96.3 mm
---------------------	---------

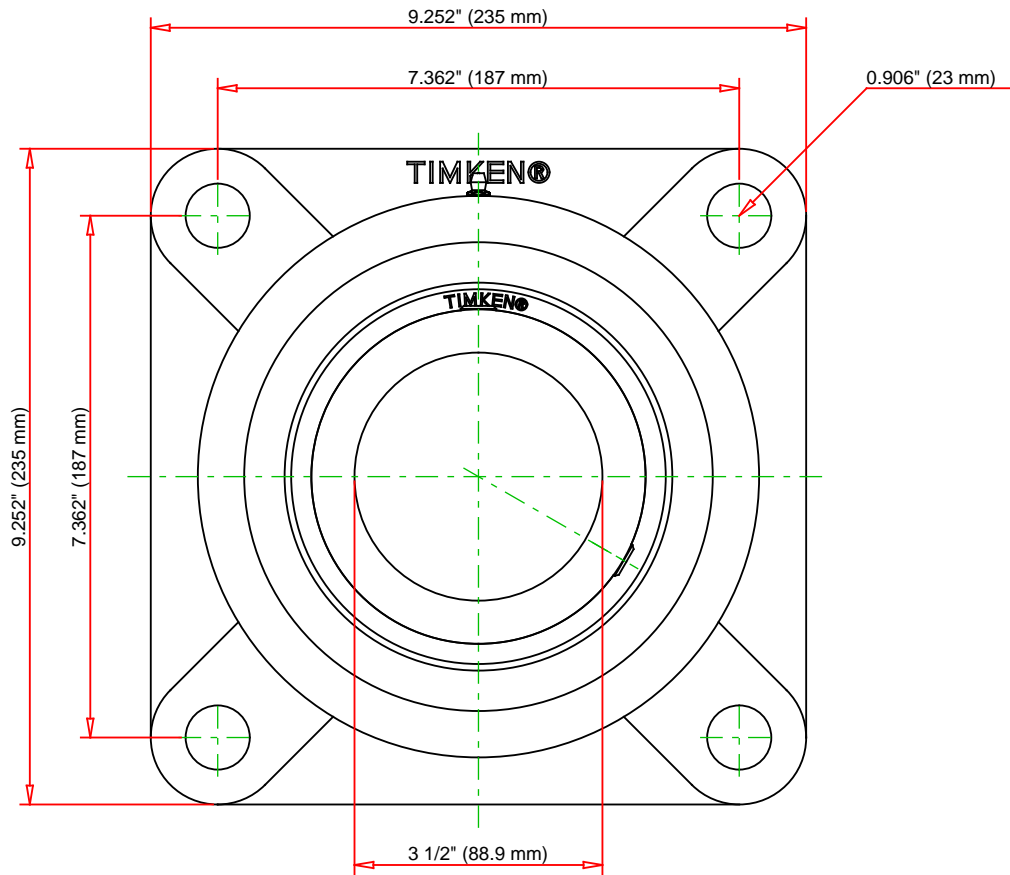
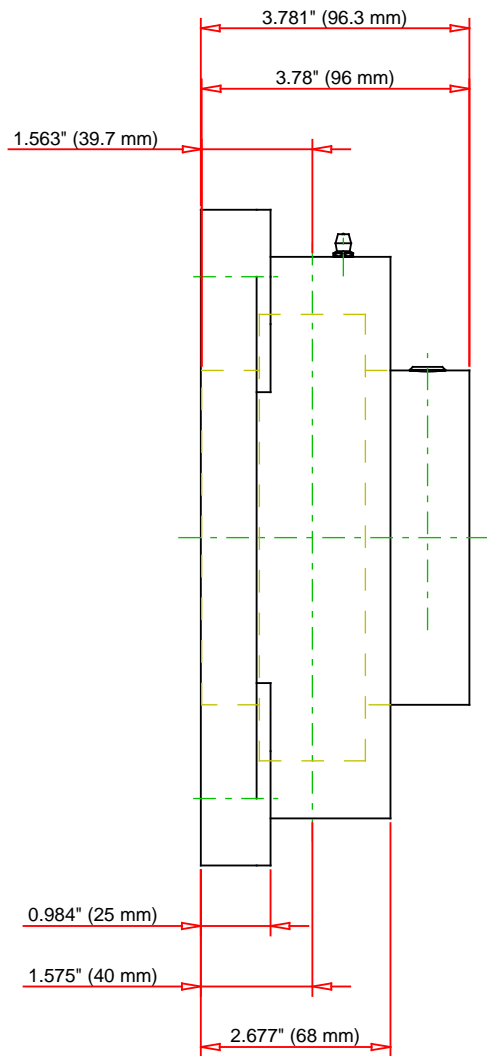
Bolt Size	M20
------------------	-----

Grease Nipple Size	A-R1/8
---------------------------	--------

Basic Load Ratings

Static Load Rating	71500 N
---------------------------	---------

Dynamic Load Rating	96100 N
----------------------------	---------



Bearing Number	UC218-56			
Load Ratings - C _r	21604	lbf	96100	N
Load Ratings - C _{0r}	16074	lbf	71500	N
Weight	25.1	lb	11.4	kg
Bolt Size	M20			

TIMKEN

THE TIMKEN COMPANY
NORTH CANTON, OHIO USA

UCF218-56
UCF 200 Four-Bolt Flanged Mounted
Bearings - Set Screw Locking

Every reasonable effort has been made to ensure the accuracy of the information contained in this writing, but no liability is accepted for errors, omissions or for any other reason.

FOR DISCUSSION ONLY