



The Timken Company

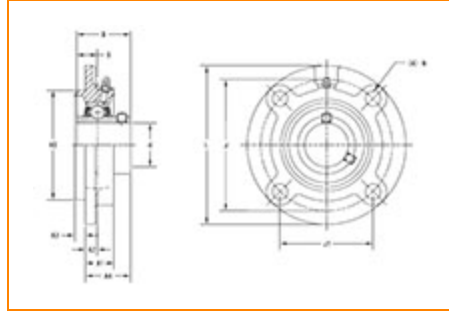
4500 Mt Pleasant St. NW

N. Canton, OH 44720

Phone: (234) 262-3000

E-Mail: CustomerCAD@timken.com • **Web site:** www.timken.com

Part Number UCFC207-20, UCFC 200 Piloted Round Flanged Mounted Bearings - Set Screw Locking



[Specifications](#) | [Dimensions](#) | [Basic Load Ratings](#)

Specifications

Bearing Number	UC207-20
Shaft Size d	1 1/4 in
UPC Code	087796139688
Locking Style	Set Screw Locking
Housing Construction	Round Flange

Dimensions

Total Height L	135.000 mm 5.3150 in
-----------------------	-------------------------



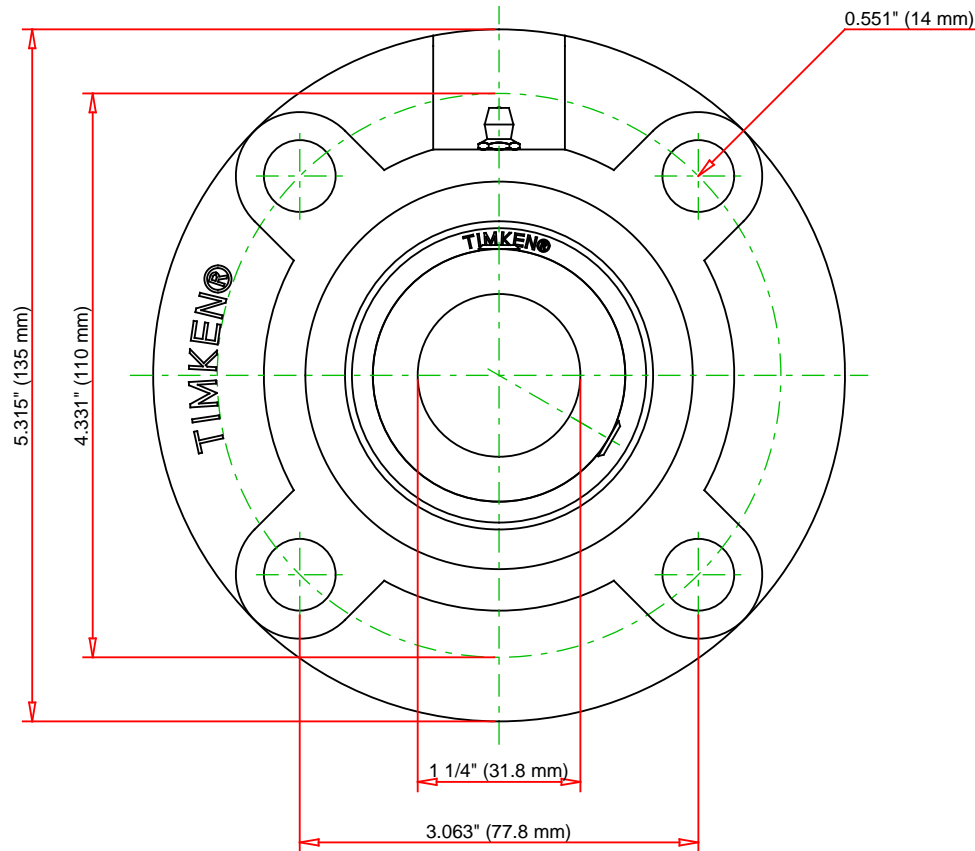
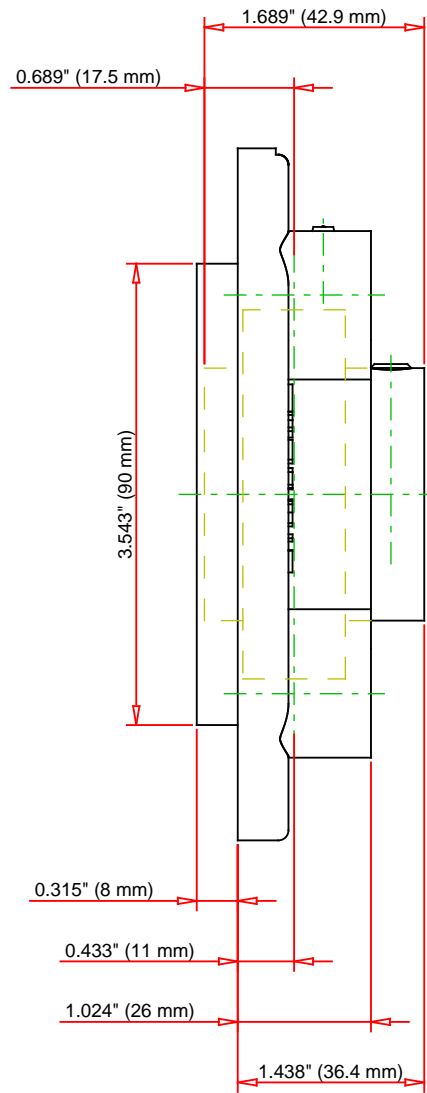
Pilot Outside Diameter H3

90 mm

Bolt Circle Diameter J	110 mm 4.331 in
Bolt Hole Spacing J1	77.8 mm 3.063 in
Bolt Hole Size N	14 mm 0.551 in
Flange Width A1	26 mm 1.024 in
Center of Bearing from Housing End A2	11 mm 0.433 in
Pilot Width A3	8 mm
Inner Ring Width B	42.9 mm 1.689 in
Center of Bearing from Bearing End S	17.5 mm 0.689 in
Dimension A4	36.4 mm 1.438 in

Basic Load Ratings

Static Load Rating	15400 N 3462 lbf
Dynamic Load Rating	25700 N 5778 lbf



Bearing Number	UC207-20			
Load Ratings - C _r	5778	lbf	25700	N
Load Ratings - C _{0r}	3462	lbf	15400	N
Weight	3.7	lb	1.7	kg
Bolt Size	M12			

TIMKEN

THE TIMKEN COMPANY
NORTH CANTON, OHIO USA

UCFC207-20
UCFC 200 Piloted Round Flanged Mounted
Bearings - Set Screw Locking

Every reasonable effort has been made to ensure the accuracy of the information contained in this writing, but no liability is accepted for errors, omissions or for any other reason.

FOR DISCUSSION ONLY