



**The Timken Company**

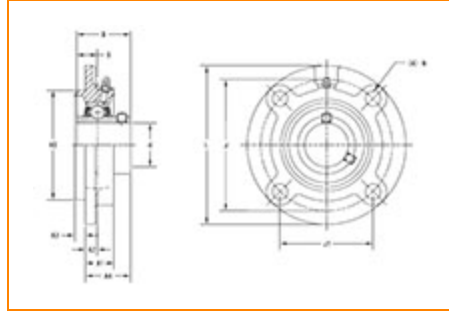
4500 Mt Pleasant St. NW

N. Canton, OH 44720

**Phone:** (234) 262-3000

**E-Mail:** [CustomerCAD@timken.com](mailto:CustomerCAD@timken.com) • **Web site:** [www.timken.com](http://www.timken.com)

## Part Number UCFC207-23, UCFC 200 Piloted Round Flanged Mounted Bearings - Set Screw Locking



[Specifications](#) | [Dimensions](#) | [Basic Load Ratings](#)

### Specifications

<b>Bearing Number</b>	UC207-23
<b>Shaft Size d</b>	1 7/16 in
<b>UPC Code</b>	087796139473
<b>Locking Style</b>	Set Screw Locking
<b>Housing Construction</b>	Round Flange

### Dimensions

<b>Total Height L</b>	135.000 mm 5.3150 in
-----------------------	-------------------------

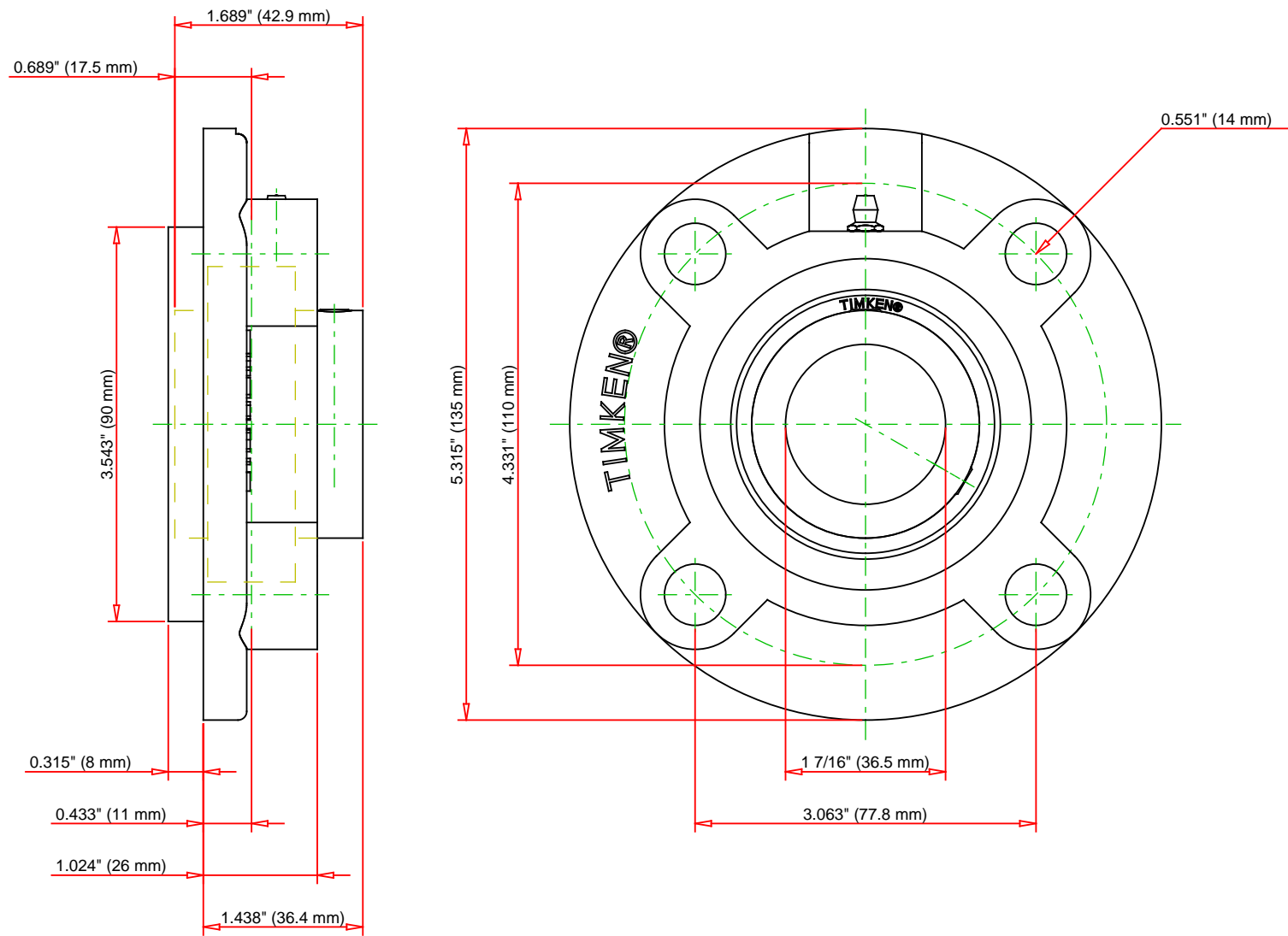


<b>Pilot Outside Diameter H3</b>	90 mm
----------------------------------	-------

<b>Bolt Circle Diameter J</b>	110 mm 4.331 in
<b>Bolt Hole Spacing J1</b>	77.8 mm 3.063 in
<b>Bolt Hole Size N</b>	14 mm 0.551 in
<b>Flange Width A1</b>	26 mm 1.024 in
<b>Center of Bearing from Housing End A2</b>	11 mm 0.433 in
<b>Pilot Width A3</b>	8 mm
<b>Inner Ring Width B</b>	42.9 mm 1.689 in
<b>Center of Bearing from Bearing End S</b>	17.5 mm 0.689 in
<b>Dimension A4</b>	36.4 mm 1.438 in

## Basic Load Ratings

<b>Static Load Rating</b>	15400 N 3462 lbf
<b>Dynamic Load Rating</b>	25700 N 5778 lbf



Bearing Number	UC207-23			
Load Ratings - C <sub>r</sub>	5778	lbf	25700	N
Load Ratings - C <sub>0r</sub>	3462	lbf	15400	N
Weight	3.7	lb	1.7	kg
Bolt Size	M12			

**TIMKEN**

THE TIMKEN COMPANY  
NORTH CANTON, OHIO USA

**UCFC207-23**

UCFC 200 Piloted Round Flanged Mounted Bearings - Set Screw Locking

Every reasonable effort has been made to ensure the accuracy of the information contained in this writing, but no liability is accepted for errors, omissions or for any other reason.

**FOR DISCUSSION ONLY**