



The Timken Company

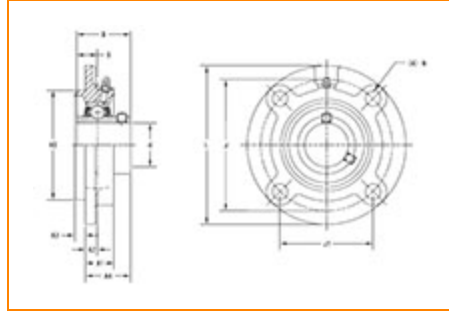
4500 Mt Pleasant St. NW

N. Canton, OH 44720

Phone: (234) 262-3000

E-Mail: CustomerCAD@timken.com • **Web site:** www.timken.com

Part Number UCFC212-39, UCFC 200 Piloted Round Flanged Mounted Bearings - Set Screw Locking



[Specifications](#) | [Dimensions](#) | [Basic Load Ratings](#)

Specifications

Bearing Number	UC212-39
Shaft Size d	2 7/16 in
UPC Code	087796140486
Locking Style	Set Screw Locking
Housing Construction	Round Flange

Dimensions

Total Height L	195.000 mm 7.677 in
-----------------------	------------------------

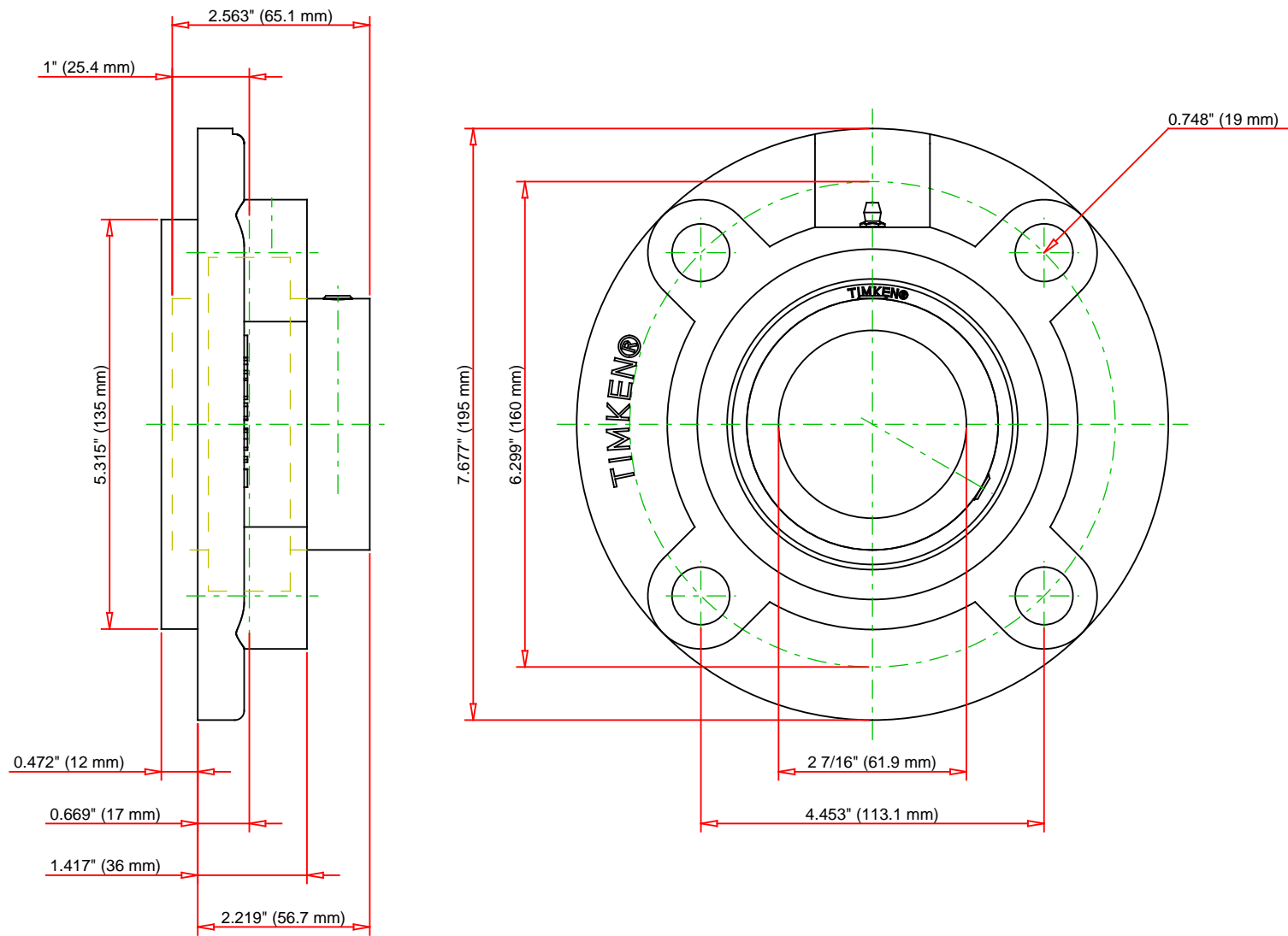


Pilot Outside Diameter H3	135 mm
----------------------------------	--------

Bolt Circle Diameter J	160 mm 6.299 in
Bolt Hole Spacing J1	113.1 mm 4.453 in
Bolt Hole Size N	19 mm 0.748 in
Flange Width A1	36 mm 1.417 in
Center of Bearing from Housing End A2	17 mm 0.669 in
Pilot Width A3	12 mm
Inner Ring Width B	65.1 mm 2.5630 in
Center of Bearing from Bearing End S	25.4 mm 1 in
Dimension A4	56.7 mm 2.219 in

Basic Load Ratings

Static Load Rating	36200 N 8138 lbf
Dynamic Load Rating	52400 N 11780 lbf



Bearing Number	UC212-39			
Load Ratings - C _r	11780	lbf	52400	N
Load Ratings - C _{0r}	8138	lbf	36200	N
Weight	11	lb	5	kg
Bolt Size	M16			

TIMKEN

THE TIMKEN COMPANY
NORTH CANTON, OHIO USA

UCFC212-39

UCFC 200 Piloted Round Flanged Mounted Bearings - Set Screw Locking

Every reasonable effort has been made to ensure the accuracy of the information contained in this writing, but no liability is accepted for errors, omissions or for any other reason.

FOR DISCUSSION ONLY