



The Timken Company

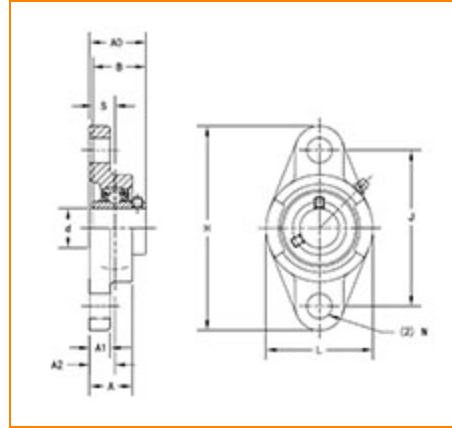
4500 Mt Pleasant St. NW

N. Canton, OH 44720

Phone: (234) 262-3000

E-Mail: CustomerCAD@timken.com • **Web site:** www.timken.com

Part Number UCFL209-28, UCFL 200 Two-Bolt Flanged Mounted Bearings - Set Screw Locking



[Specifications](#) | [Dimensions](#) | [Basic Load Ratings](#)

Specifications

Bearing Number	UC209-28
Shaft Size d	1 3/4 in
UPC Code	087796140509
Locking Style	Set Screw Locking
Housing Construction	Two-Bolt Flange

Dimensions

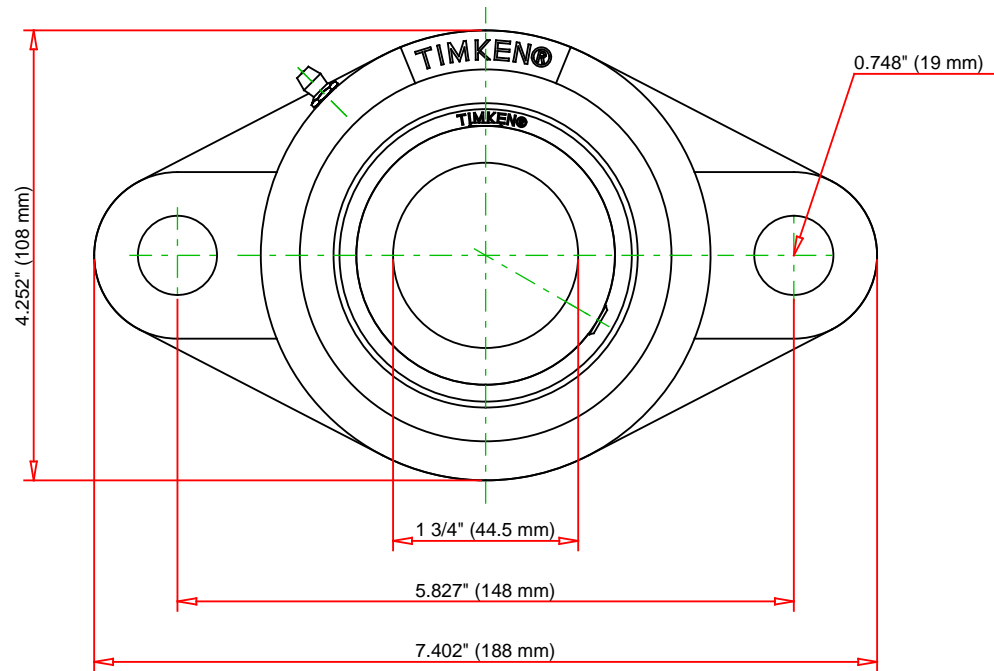
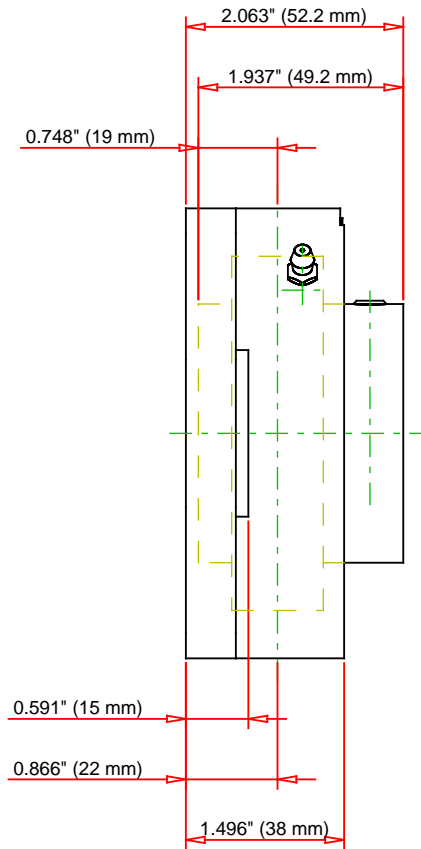
Total Length H	188 mm 7.402 in
Total Height L	108 mm 4.252 in



Housing Width A	38 mm 1.496 in
Bolt Hole Spacing J	148 mm 5.827 in
Bolt Hole Size N	19 mm 0.748 in
Flange Thickness A1	15 mm 0.591 in
Center of Bearing from Housing End A2	22 mm 0.866 in
Inner Ring Width B	49.2 mm 1.937 in
Center of Bearing from Bearing End S	19 mm 0.748 in
Dimension A0	52.2 mm 2.063 in
Bolt Size	M16

Basic Load Ratings

Static Load Rating	21300 N 4788 lbf
Dynamic Load Rating	34100 N 7666 lbf



Bearing Number	UC209-28			
Load Ratings - C _r	7666	lbf	34100	N
Load Ratings - C _{0r}	4788	lbf	21300	N
Weight	4.2	lb	1.9	kg
Bolt Size	M16			

TIMKEN

THE TIMKEN COMPANY
 NORTH CANTON, OHIO USA

UCFL209-28
 UCFL 200 Two-Bolt Flanged Mounted
 Bearings - Set Screw Locking

Every reasonable effort has been made to ensure the accuracy of the information contained in this writing, but no liability is accepted for errors, omissions or for any other reason.

FOR DISCUSSION ONLY