



The Timken Company

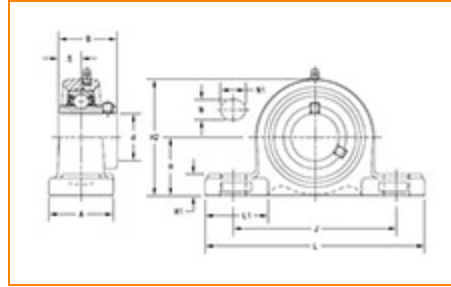
4500 Mt Pleasant St. NW

N. Canton, OH 44720

Phone: (234) 262-3000

E-Mail: CustomerCAD@timken.com • **Web site:** www.timken.com

Part Number UCP205-15, UCP 200 Pillow Block Mounted Bearings - Set Screw Locking



[Specifications](#) | [Dimensions](#) | [Basic Load Ratings](#)

Specifications

Bearing Number	UC205-15
Shaft Size d	15/16 in
UPC Code	087796140431
Locking Style	Set Screw Locking
Housing Construction	Two-Bolt Pillow Block

Dimensions

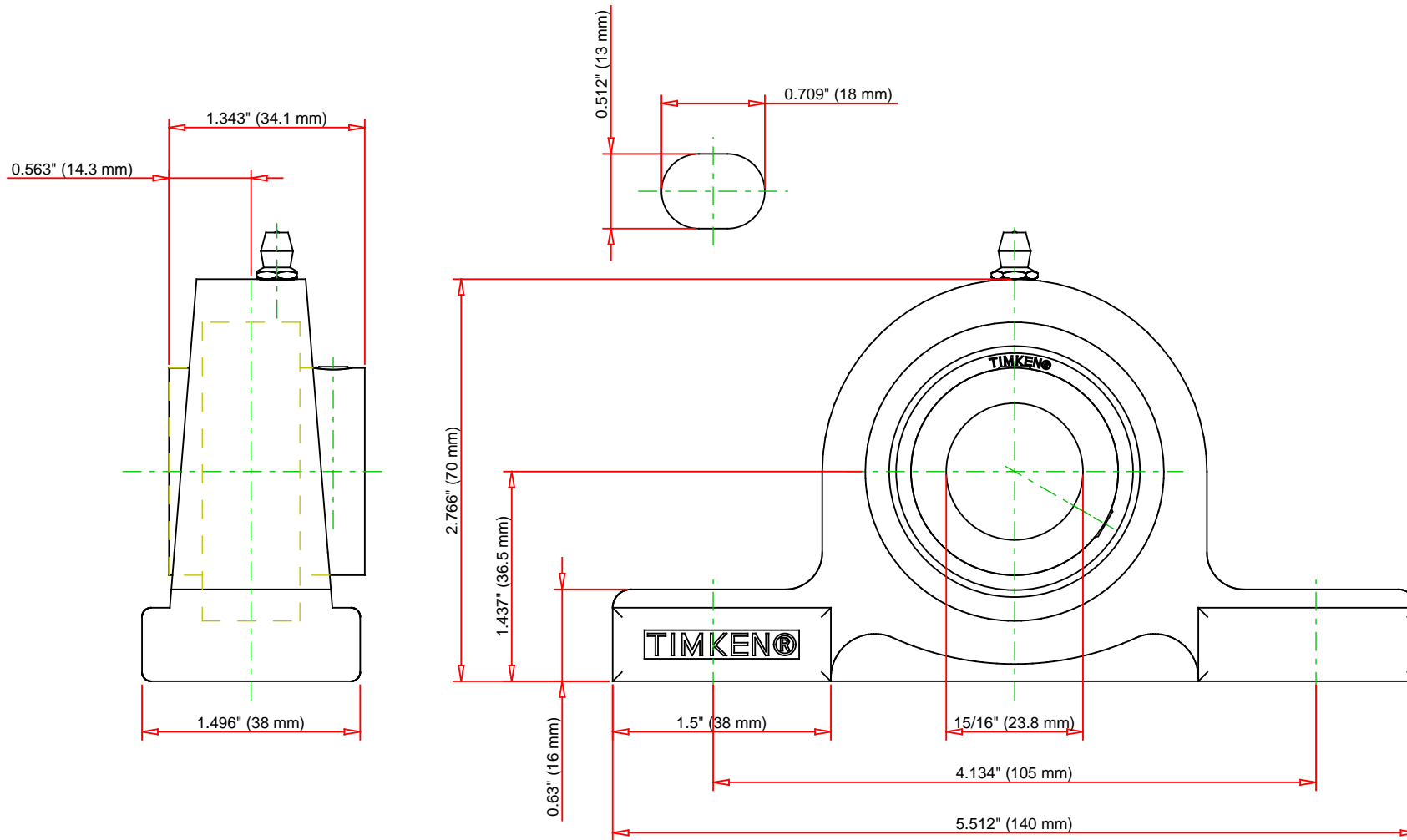
Base to Center Height H	36.5 mm 1.437 in
Total Length L	140 mm 5.512 in



Housing Width A	38 mm 1.496 in
Bolt Hole Spacing J	105 mm 4.134 in
Bolt Hole Size N	13 mm 0.512 in
Bolt Hole Length N1	18 mm 0.709 in
Foot Height H1	16 mm
Total Height H2	70 mm 2.766 in
Dimension L1	38 mm 1.5 in
Inner Ring Width B	34.1 mm 1.343 in
Center of Bearing from End S	14.3 mm 0.563 in

Basic Load Ratings

Static Load Rating	7850 N 1765 lbf
Dynamic Load Rating	14000 N 3147 lbf



Bearing Number	UC205-15			
Load Ratings - C_r	3147	lbf	14000	N
Load Ratings - C_{0r}	1765	lbf	7850	N
Weight	1.8	lb	0.8	kg
Bolt Size	M10			

TIMKEN

THE TIMKEN COMPANY
NORTH CANTON, OHIO USA

UCP205-15
UCP 200 Pillow Block Mounted Bearings -
Set Screw Locking

Every reasonable effort has been made to ensure the accuracy of the information contained in this writing, but no liability is accepted for errors, omissions or for any other reason.

FOR DISCUSSION ONLY