



The Timken Company

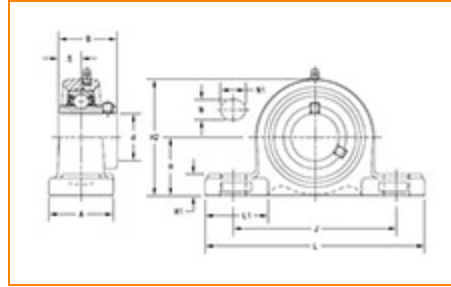
4500 Mt Pleasant St. NW

N. Canton, OH 44720

Phone: (234) 262-3000

E-Mail: CustomerCAD@timken.com • **Web site:** www.timken.com

Part Number UCP211-35, UCP 200 Pillow Block Mounted Bearings - Set Screw Locking



[Specifications](#) | [Dimensions](#) | [Basic Load Ratings](#)

Specifications

Bearing Number	UC211-35
Shaft Size d	2 3/16 in
UPC Code	087796140660
Locking Style	Set Screw Locking
Housing Construction	Two-Bolt Pillow Block

Dimensions

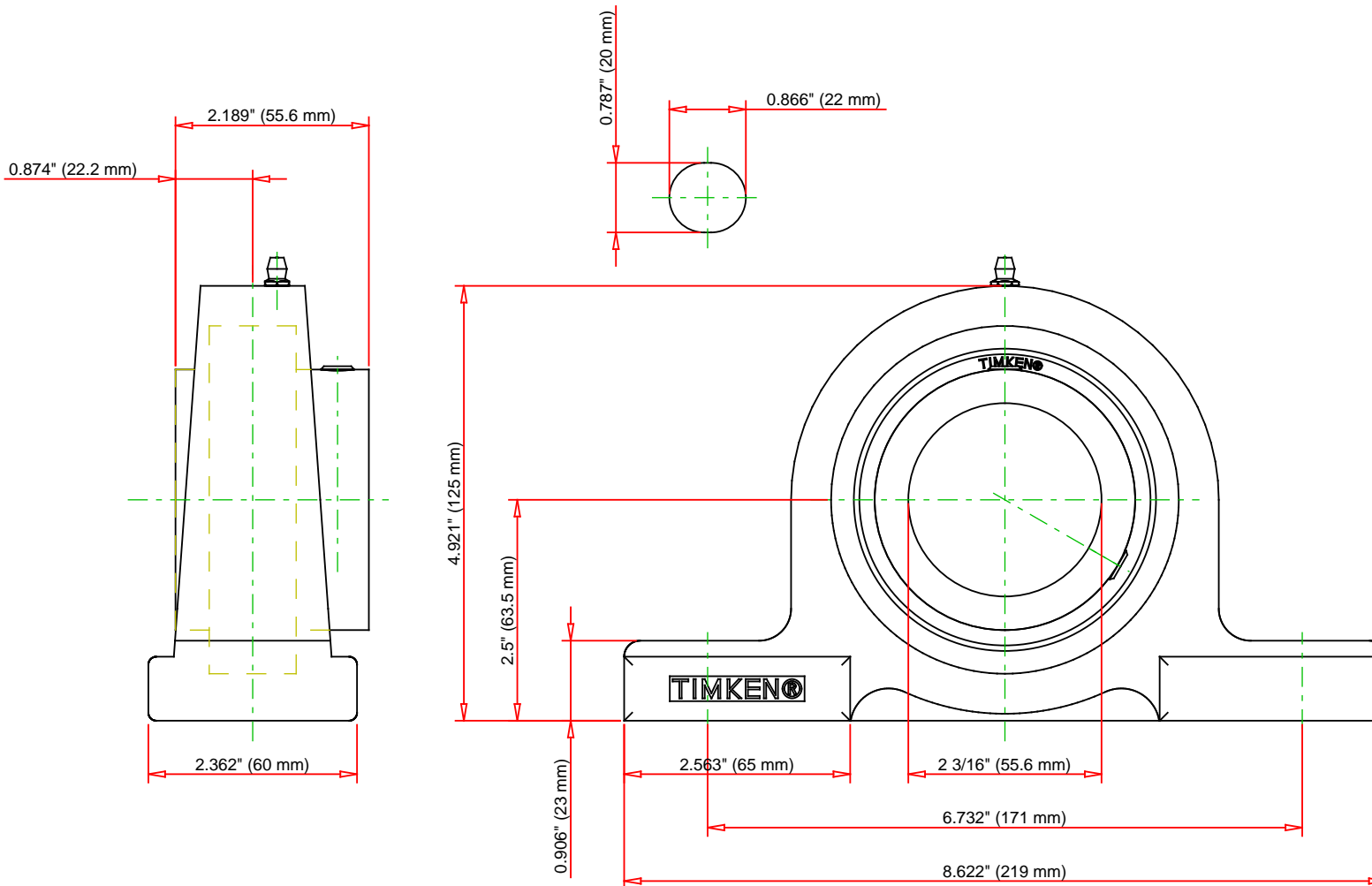
Base to Center Height H	63.5 mm 2-1/2 in
Total Length L	219 mm 8.622 in



Housing Width A	60 mm 2.362 in
Bolt Hole Spacing J	171 mm 6.732 in
Bolt Hole Size N	20 mm 0.787 in
Bolt Hole Length N1	22 mm 0.866 in
Foot Height H1	23 mm
Total Height H2	125 mm 4.921 in
Dimension L1	65 mm 2.563 in
Inner Ring Width B	55.6 mm 2.189 in
Center of Bearing from End S	22.2 mm 0.874 in

Basic Load Ratings

Static Load Rating	29400 N 6609 lbf
Dynamic Load Rating	43400 N 9757 lbf



Bearing Number	UC211-35		
Load Ratings - C_r	9757	lbf	43400
Load Ratings - C_{0r}	6609	lbf	29400
Weight	7.9	lb	3.6
Bolt Size	M16		

TIMKEN

THE TIMKEN COMPANY
NORTH CANTON, OHIO USA

UCP211-35

UCP 200 Pillow Block Mounted Bearings -
Set Screw Locking

Every reasonable effort has been made to ensure the accuracy of the information contained in this writing, but no liability is accepted for errors, omissions or for any other reason.

FOR DISCUSSION ONLY