



The Timken Company

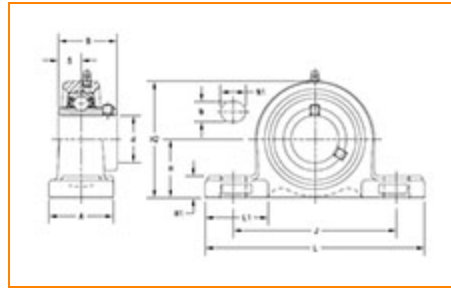
4500 Mt Pleasant St. NW

N. Canton, OH 44720

Phone: (234) 262-3000

E-Mail: CustomerCAD@timken.com • **Web site:** www.timken.com

Part Number UCP216-50, UCP 200 Pillow Block Mounted Bearings - Set Screw Locking



[Specifications](#) | [Dimensions](#) | [Basic Load Ratings](#)

Specifications

Bearing Number	UC216-50
Shaft Size d	3.1250 in
UPC Code	087796141063
Locking Style	Set Screw Locking
Housing Construction	Two-Bolt Pillow Block

Dimensions

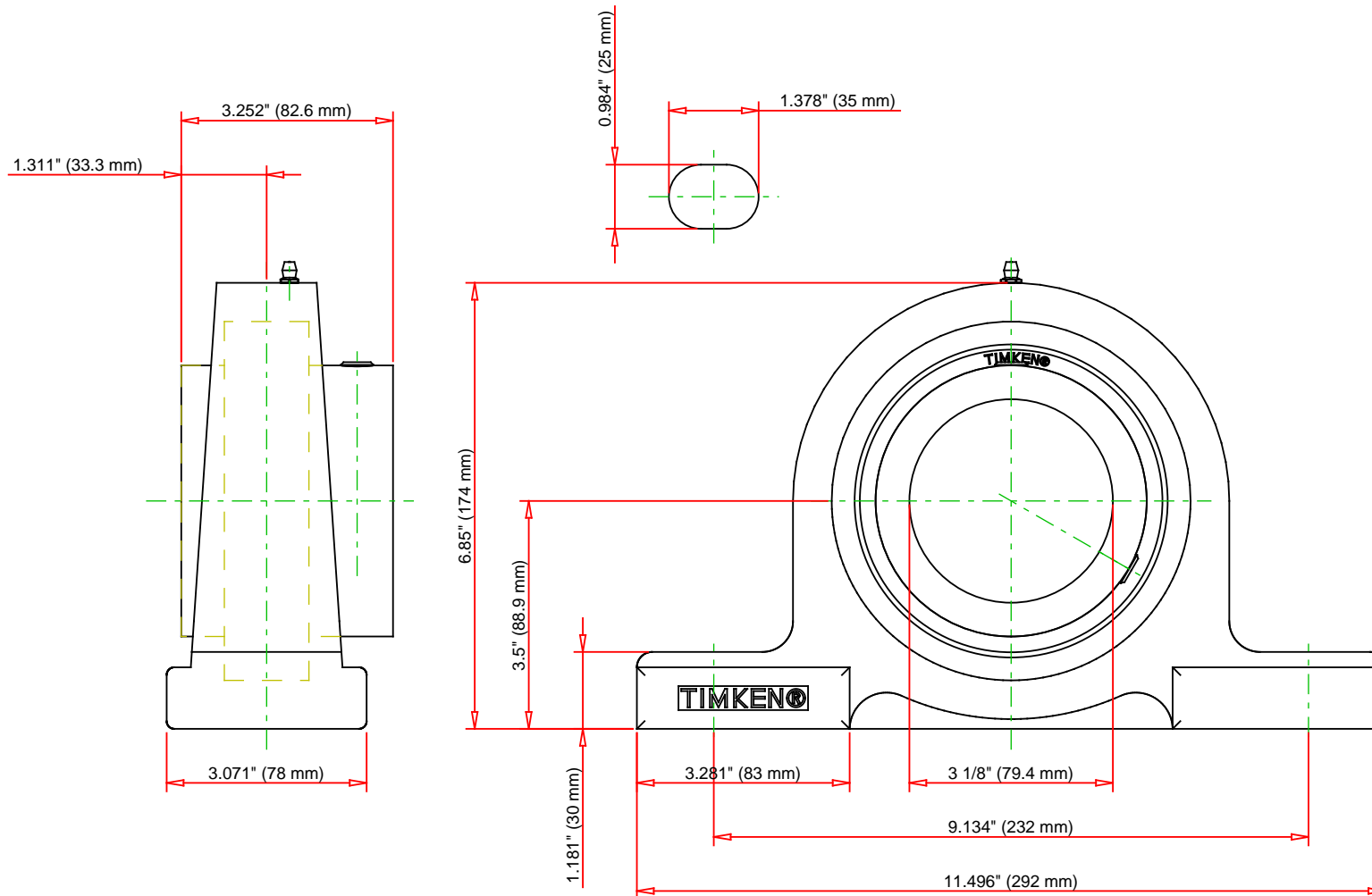
Base to Center Height H	88.9 mm 3-1/2 in
Total Length L	292 mm 11.496 in



Housing Width A	78 mm 3.071 in
Bolt Hole Spacing J	232 mm 9.134 in
Bolt Hole Size N	25 mm 0.984 in
Bolt Hole Length N1	35 mm 1.378 in
Foot Height H1	30 mm
Total Height H2	174 mm 6.85 in
Dimension L1	83 mm 3.281 in
Inner Ring Width B	82.6 mm 3.2520 in
Center of Bearing from End S	33.3 mm 1.311 in

Basic Load Ratings

Static Load Rating	53000 N 11915 lbf
Dynamic Load Rating	72700 N 16344 lbf



Bearing Number	UC216-50		
Load Ratings - C_r	16344	lbf	72700
Load Ratings - C_{0r}	11915	lbf	53000
Weight	19.8	lb	9
Bolt Size	M20		

TIMKEN

THE TIMKEN COMPANY
NORTH CANTON, OHIO USA

UCP216-50

UCP 200 Pillow Block Mounted Bearings -
Set Screw Locking

Every reasonable effort has been made to ensure the accuracy of the information contained in this writing, but no liability is accepted for errors, omissions or for any other reason.

FOR DISCUSSION ONLY