



The Timken Company

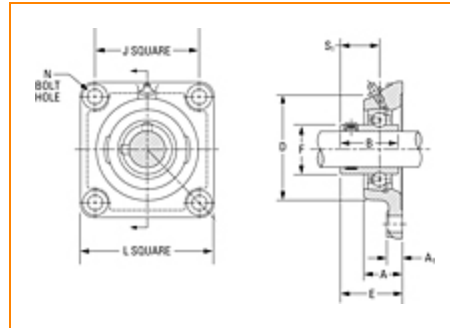
4500 Mt Pleasant St. NW

N. Canton, OH 44720

Phone: (234) 262-3000

E-Mail: CustomerCAD@timken.com • **Web site:** www.timken.com

Part Number YCJ 3/4 SGT, Fafnir® Four-Bolt Flanged Mounted Bearings Setscrew Locking




[Specifications](#) | [Dimensions](#) | [Basic Load Ratings](#)

Specifications

Series	Industrial
Shaft Size d	3/4 in
Bearing Number	GY1012KRRB SGT
Seal Type	Shroud Seal
Housing Construction	Four-Bolt Square Flange
Alternate Part Name	YCJ3/4 SGT

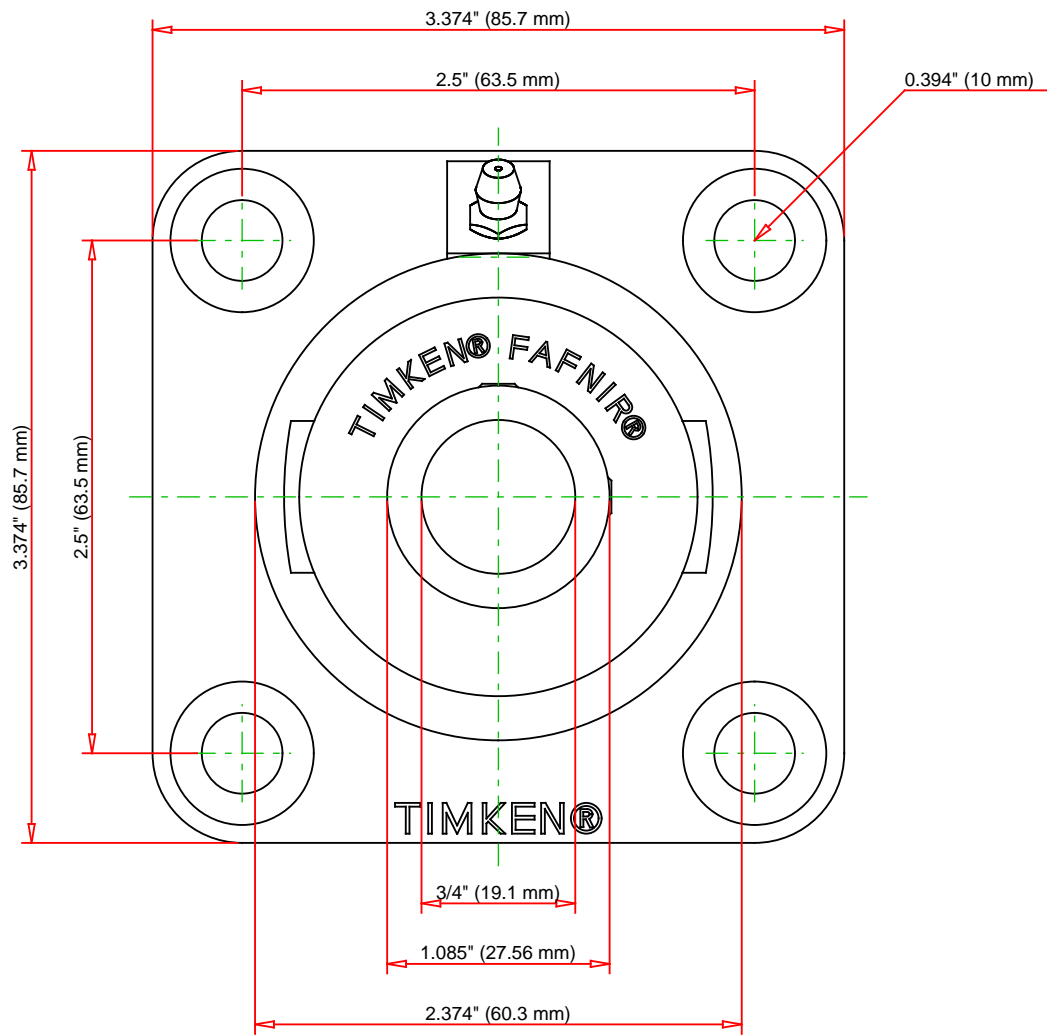
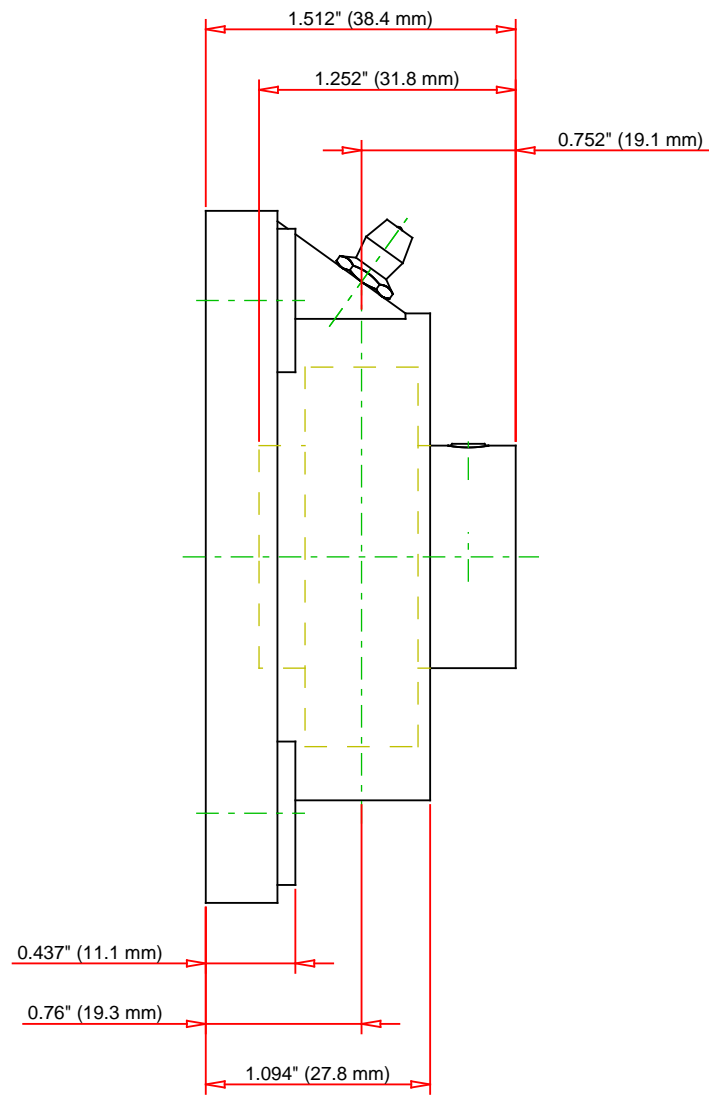
Dimensions

Total Length L	85.7 mm 3.374 in
 Housing Width A	27.8 mm 1.094 in

Bolt Hole Spacing	63.5 mm 2.5 in
Bolt Hole Size N	10 mm 0.394 in
Flange Thickness A1	11.1 mm 0.437 in
Center of Bearing from Housing End A2	19.3 mm 0.76 in
Inside Ring Width B	31.8 mm 1.252 in
Dimension S1	19.1 mm 0.752 in
Dimension D	60.3 mm 2.374 in
Dimension E	38.4 mm 1.512 in
Dimension F	27.56 mm 1.085 in
Bolt Size	M10

Basic Load Ratings

Static Load Rating	6500 N 1460 lbf
Dynamic Load Rating	14200 N 3190 lbf



Bearing Number	GY1012KRRB SGT			
Load Ratings - C _r	3190	lbf	14200	N
Load Ratings - C _{0r}	1460	lbf	6500	N
Weight	1.6	lb	0.73	kg
Bolt Size	M5x0.8			

TIMKEN®

THE TIMKEN COMPANY
NORTH CANTON, OHIO USA

YCJ 3/4 SGT
Fafnir® Four-Bolt Flanged Mounted Bearings
Setscrew Locking

Every reasonable effort has been made to ensure the accuracy of the information contained in this writing, but no liability is accepted for errors, omissions or for any other reason.

FOR DISCUSSION ONLY