



The Timken Company

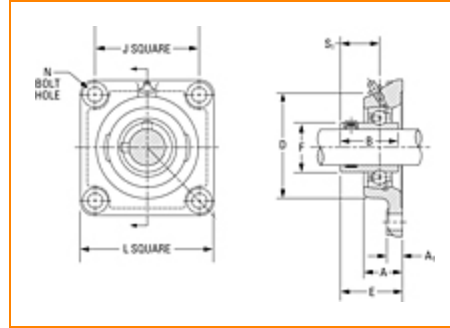
4500 Mt Pleasant St. NW

N. Canton, OH 44720

Phone: (234) 262-3000

E-Mail: CustomerCAD@timken.com • **Web site:** www.timken.com

Part Number YCJ 7/8 SGT, Fafnir® Four-Bolt Flanged Mounted Bearings Setscrew Locking




[Specifications](#) | [Dimensions](#) | [Basic Load Ratings](#)

Specifications

Series	Industrial
Shaft Size d	7/8 in
Bearing Number	GY1014KRRB SGT
Seal Type	Shroud Seal
Housing Construction	Four-Bolt Square Flange
Alternate Part Name	YCJ7/8 SGT

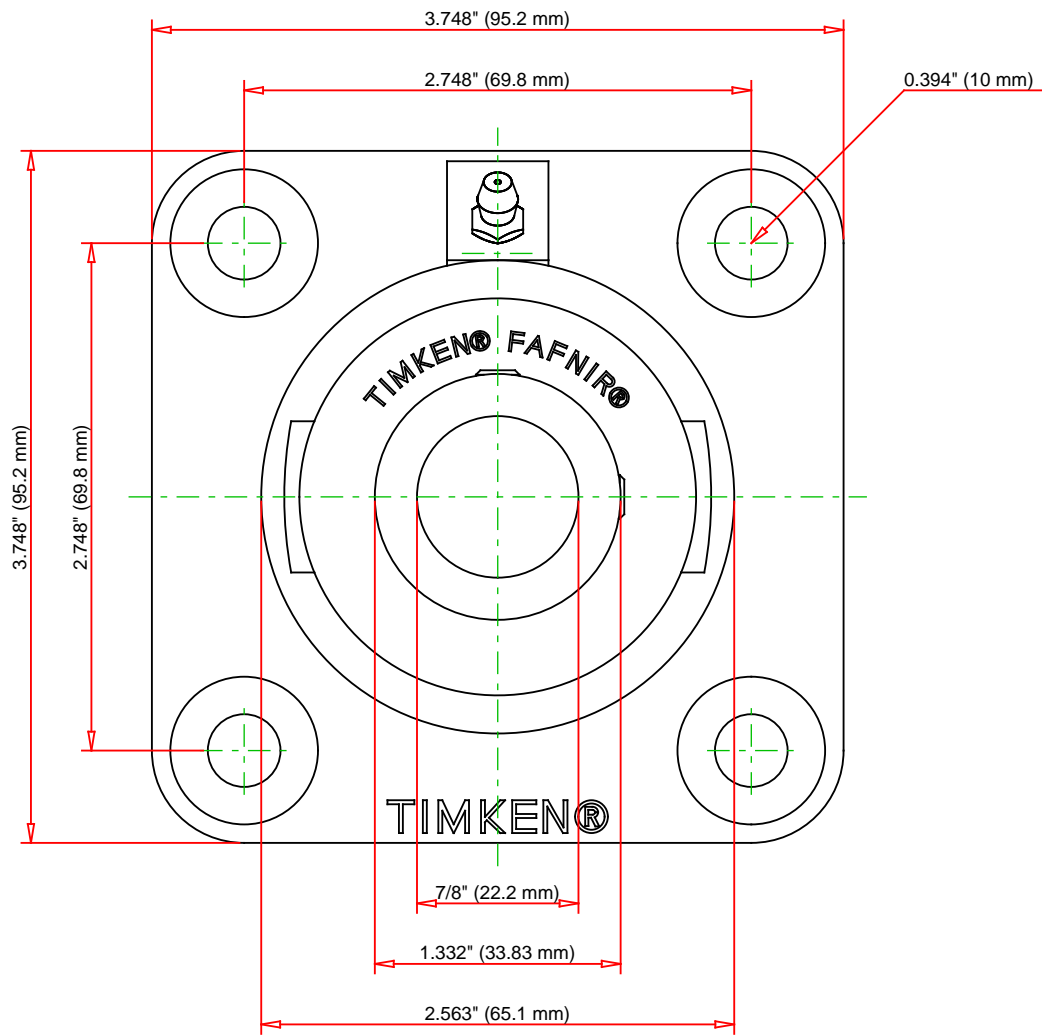
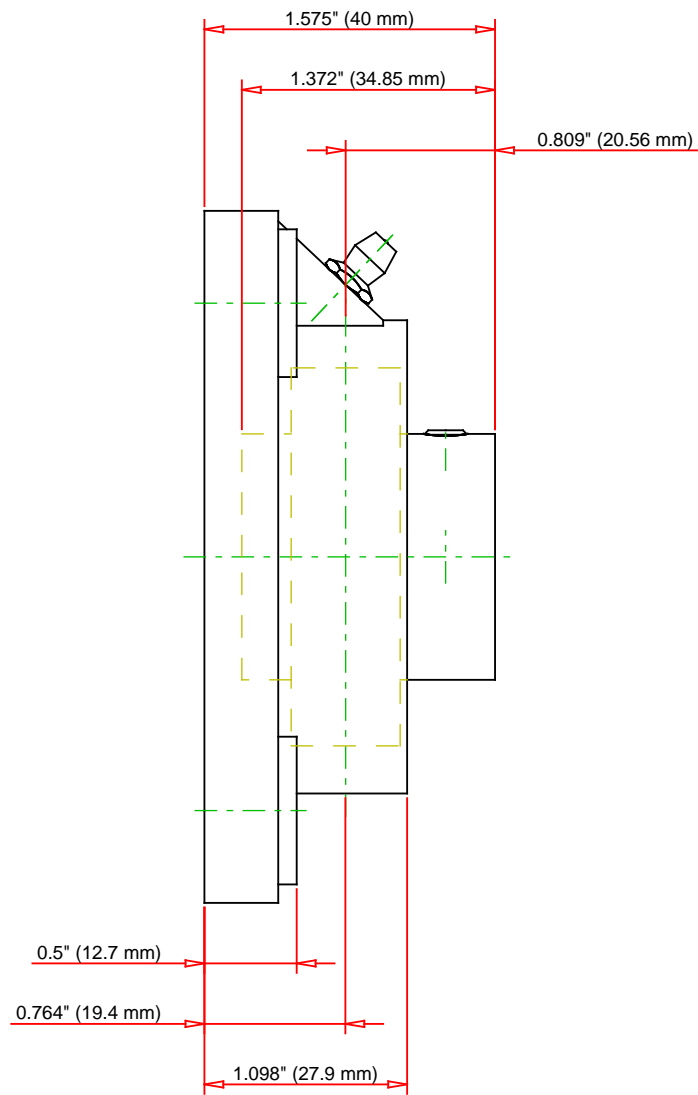
Dimensions

Total Length L	95.2 mm 3.748 in
 Housing Width A	27.9 mm 1.098 in

Bolt Hole Spacing	69.8 mm 2.748 in
Bolt Hole Size N	10 mm 0.394 in
Flange Thickness A1	12.7 mm 0.5 in
Center of Bearing from Housing End A2	19.4 mm 0.764 in
Inside Ring Width B	34.85 mm 1.372 in
Dimension S1	20.56 mm 0.809 in
Dimension D	65.1 mm 2.563 in
Dimension E	40 mm 1.575 in
Dimension F	33.83 mm 1.332 in
Bolt Size	M10

Basic Load Ratings

Static Load Rating	7800 N 1750 lbf
Dynamic Load Rating	15500 N 3490 lbf



Bearing Number	GY1014KRRB SGT			
Load Ratings - C _r	3490	lbf	15500	N
Load Ratings - C _{0r}	1750	lbf	7800	N
Weight	2.07	lb	0.94	kg
Bolt Size	M6x1			

TIMKEN®
 THE TIMKEN COMPANY
 NORTH CANTON, OHIO USA

YCJ 7/8 SGT
 Fafnir® Four-Bolt Flanged Mounted Bearings
 Setscrew Locking

Every reasonable effort has been made to ensure the accuracy of the information contained in this writing, but no liability is accepted for errors, omissions or for any other reason.

FOR DISCUSSION ONLY