



The Timken Company

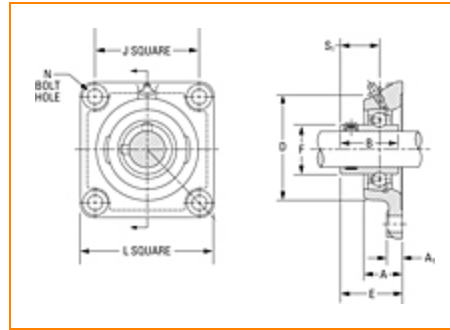
4500 Mt Pleasant St. NW

N. Canton, OH 44720

Phone: (234) 262-3000

E-Mail: CustomerCAD@timken.com • **Web site:** www.timken.com

Part Number YCJ 30 SGT, Fafnir® Four-Bolt Flanged Mounted Bearings Setscrew Locking




[Specifications](#) | [Dimensions](#) | [Basic Load Ratings](#)

Specifications

Series	Industrial
Shaft Size d	30 mm
Bearing Number	GYE30KRRB SGT
Seal Type	Shroud Seal
Housing Construction	Four-Bolt Square Flange
Alternate Part Name	YCJ30 SGT

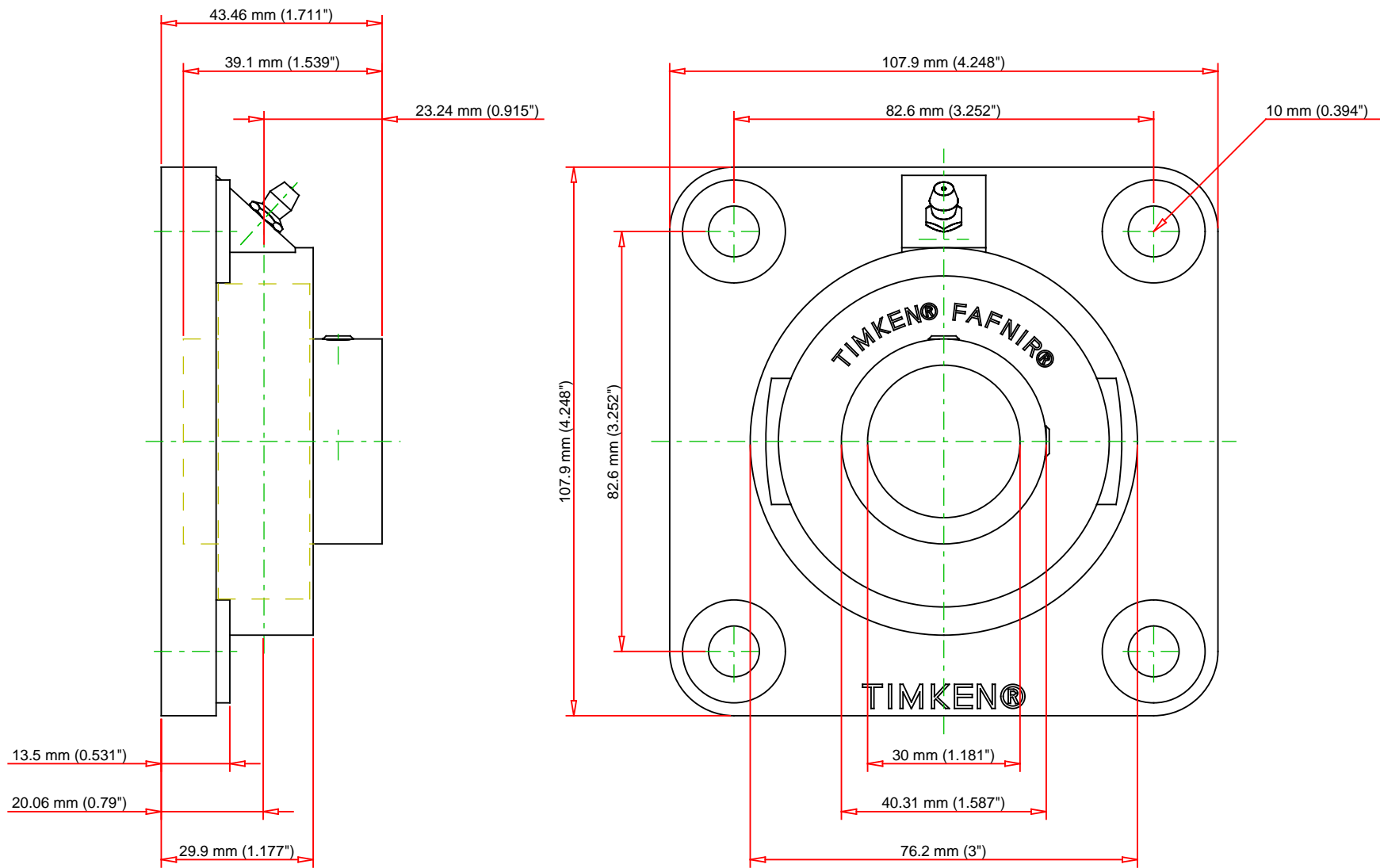
Dimensions

Total Length L	107.9 mm 4.248 in
 Housing Width A	29.9 mm 1.177 in

Bolt Hole Spacing	82.6 mm 3.252 in
Bolt Hole Size N	10 mm 0.394 in
Flange Thickness A1	13.5 mm 0.531 in
Center of Bearing from Housing End A2	20.06 mm 0.79 in
Inside Ring Width B	39.1 mm 1.539 in
Dimension S1	23.24 mm 0.915 in
Dimension D	76.2 mm 3 in
Dimension E	43.46 mm 1.711 in
Dimension F	40.31 mm 1.5870 in
Bolt Size	M10

Basic Load Ratings

Static Load Rating	11300 N 2530 lbf
Dynamic Load Rating	21600 N 4850 lbf



Bearing Number	GYE30KRRB SGT			
Load Ratings - C _r	4850	lbf	21600	N
Load Ratings - C _{0r}	2530	lbf	11300	N
Weight	2.87	lb	1.3	kg
Bolt Size	M6x1			

TIMKEN®

THE TIMKEN COMPANY
NORTH CANTON, OHIO USA

YCJ 30 SGT

Fafnir® Four-Bolt Flanged Mounted Bearings
Setscrew Locking

Every reasonable effort has been made to ensure the accuracy of the information contained in this writing, but no liability is accepted for errors, omissions or for any other reason.

FOR DISCUSSION ONLY