



The Timken Company

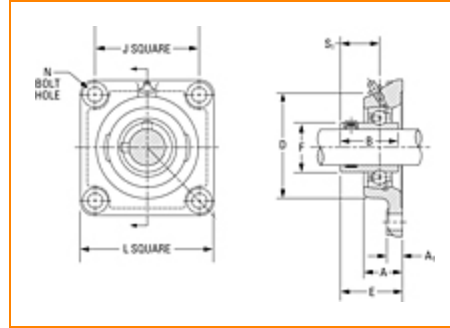
4500 Mt Pleasant St. NW

N. Canton, OH 44720

Phone: (234) 262-3000

E-Mail: CustomerCAD@timken.com • **Web site:** www.timken.com

Part Number YCJ 35 SGT, Fafnir® Four-Bolt Flanged Mounted Bearings Setscrew Locking




[Specifications](#) | [Dimensions](#) | [Basic Load Ratings](#)

Specifications

Series	Industrial
Shaft Size d	35 mm
Bearing Number	GYE35KRRB SGT
Seal Type	Shroud Seal
Housing Construction	Four-Bolt Square Flange
Alternate Part Name	YCJ35 SGT

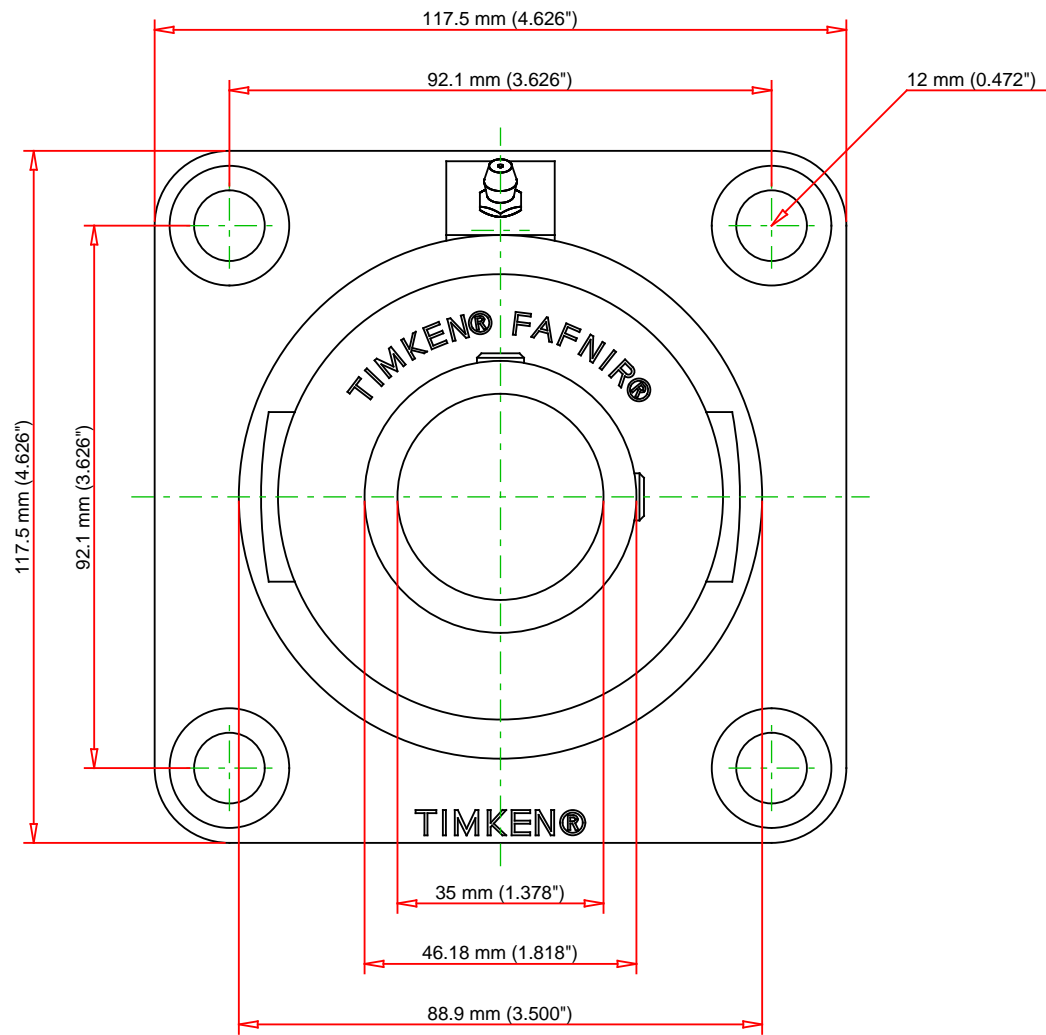
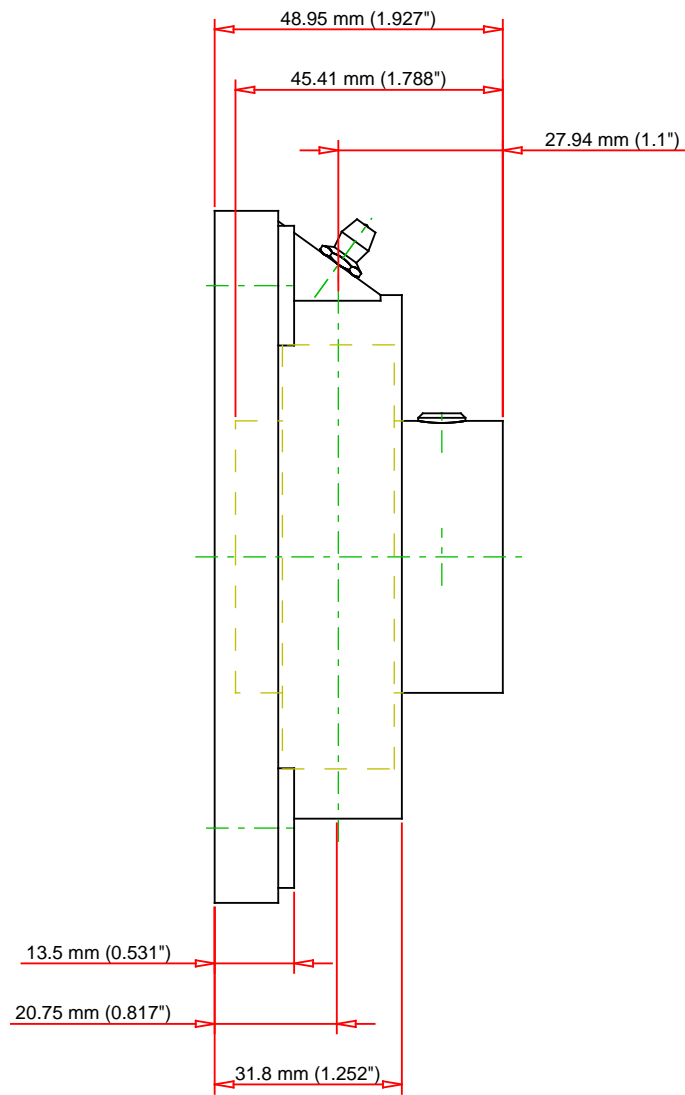
Dimensions

Total Length L	117.5 mm 4.626 in
 Housing Width A	31.8 mm 1.252 in

Bolt Hole Spacing	92.1 mm 3.626 in
Bolt Hole Size N	12 mm 0.472 in
Flange Thickness A1	13.5 mm 0.531 in
Center of Bearing from Housing End A2	20.75 mm 0.817 in
Inside Ring Width B	45.41 mm 1.788 in
Dimension S1	27.94 mm 1.1 in
Dimension D	88.900 mm 3 1/2 in
Dimension E	48.95 mm 1.927 in
Dimension F	46.18 mm 1.818 in
Bolt Size	M12

Basic Load Ratings

Static Load Rating	15300 N 3440 lbf
Dynamic Load Rating	28500 N 6400 lbf



Bearing Number	GYE35KRRB SGT			
Load Ratings - C _r	6400	lbf	28500	N
Load Ratings - C _{0r}	3440	lbf	15300	N
Weight	3.94	lb	1.79	kg
Bolt Size	M8x1.25			

TIMKEN
 THE TIMKEN COMPANY
 NORTH CANTON, OHIO USA

YCJ 35 SGT
 Fafnir® Four-Bolt Flanged Mounted Bearings
 Setscrew Locking

Every reasonable effort has been made to ensure the accuracy of the information contained in this writing, but no liability is accepted for errors, omissions or for any other reason.

FOR DISCUSSION ONLY