


**The Timken Company**

4500 Mt Pleasant St. NW

N. Canton, OH 44720

**Phone:** (234) 262-3000

**E-Mail:** [CustomerCAD@timken.com](mailto:CustomerCAD@timken.com) • **Web site:** [www.timken.com](http://www.timken.com)

## Part Number YCJT 20 PT SGT, Fafnir® Two-Bolt Flanged Mounted Bearings Setscrew Locking



[Specifications](#) | [Dimensions](#) | [Basic Load Ratings](#)

### Specifications

<b>Series</b>	Industrial
<b>Shaft Size d</b>	20 mm
<b>Bearing Type</b>	Ball Bearing
<b>Bearing Number</b>	GYE20KRRB TDCF SGT
<b>Seal Type</b>	Shroud Seal
<b>Housing Construction</b>	Two-Bolt Flange
<b>Alternate Part Name</b>	YCJT 20 PT SGT

### Dimensions



**Total Length H** 111.9 mm  
4.406 in

**Total Height L** 60.3 mm  
2.374 in

**Housing Width A** 27.8 mm  
1.094 in

**Bolt Hole Spacing J** 89.7 mm  
3.531 in

**Bolt Hole Size N** 10 mm  
0.394 in

**Flange Thickness A1** 11.1 mm  
0.437 in

**Inside Ring Width B** 31.8 mm  
1.252 in

**Dimension S1** 19.1 mm  
0.752 in

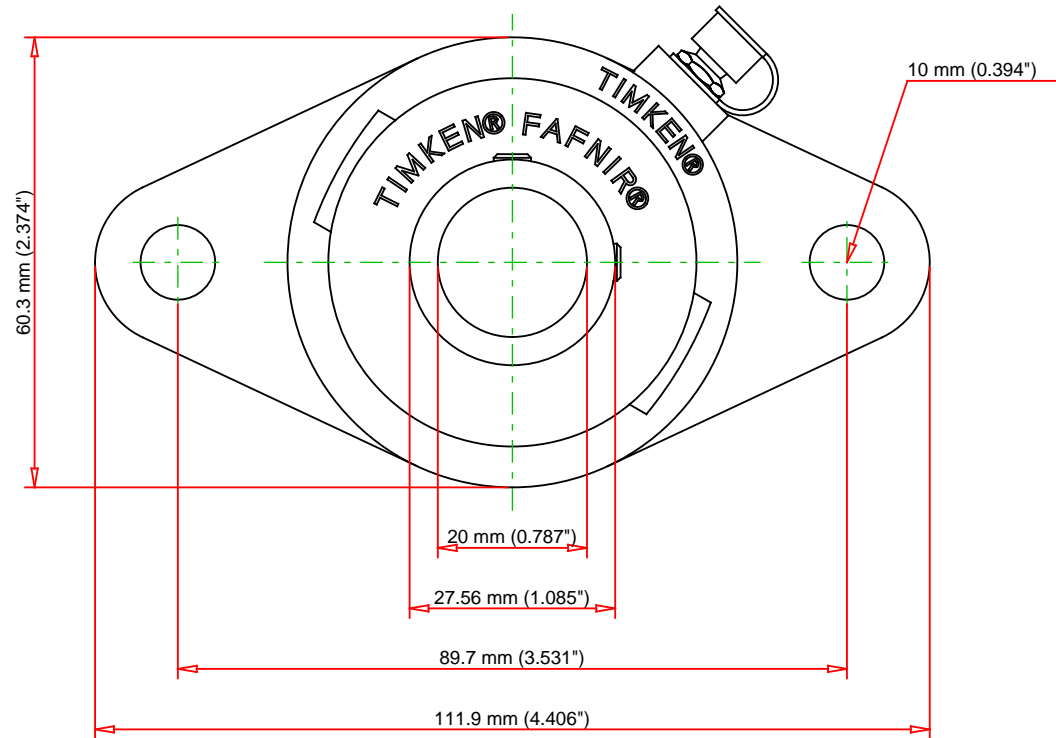
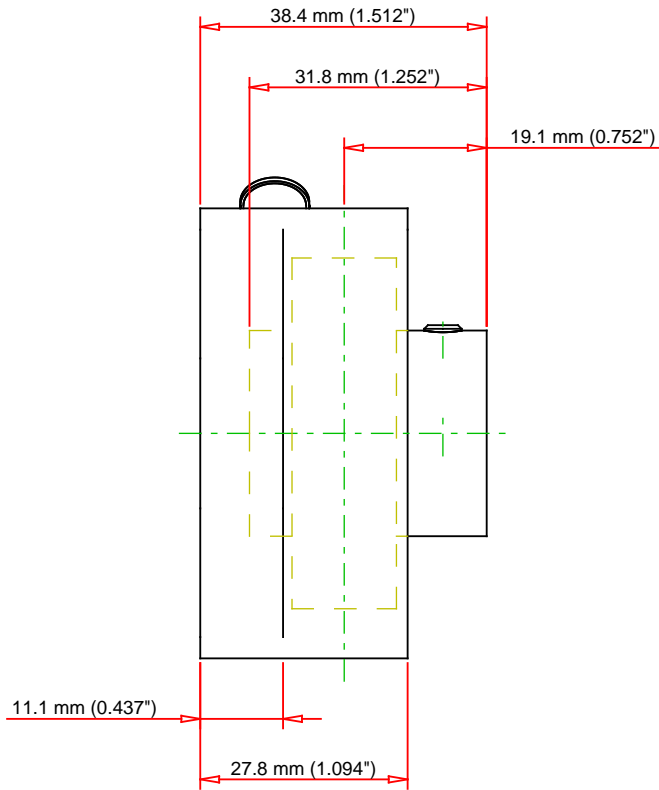
**Dimension E** 38.4 mm  
1.512 in

**Dimension F** 27.56 mm  
1.085 in

## Basic Load Ratings

**Static Load Rating** 6500 N  
1460 lbf

**Dynamic Load Rating** 14200 N  
3190 lbf



Bearing Number	GYE20KRRB TDCF SGT			
Load Ratings - C <sub>r</sub>	3190	lbf	14200	N
Load Ratings - C <sub>0r</sub>	1460	lbf	6500	N
Weight	1.022	lb	0.46	kg
Bolt Size	M5x0.8			

**TIMKEN**

THE TIMKEN COMPANY  
 NORTH CANTON, OHIO USA

**YCJT 20 PT SGT**  
 Fafnir® Two-Bolt Flanged Mounted Bearings  
 Setscrew Locking

Every reasonable effort has been made to ensure the accuracy of the information contained in this writing, but no liability is accepted for errors, omissions or for any other reason.

**FOR DISCUSSION ONLY**