


**The Timken Company**

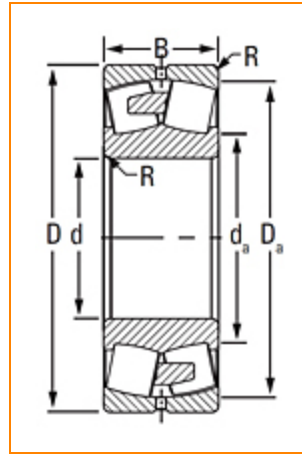
4500 Mt Pleasant St. NW

N. Canton, OH 44720

**Phone:** (234) 262-3000

**E-Mail:** [CustomerCAD@timken.com](mailto:CustomerCAD@timken.com) • **Web site:** [www.timken.com](http://www.timken.com)
**Part Number 22222KEMW33, Spherical Roller Bearings - Brass Cage**

Spherical bearings are designed to manage high radial loads even when misalignment, poor lubrication, contamination, extreme speeds or critical application stresses are present.



[Specifications](#) | [Dimensions](#) | [Abutment and Fillet Dimensions](#) | [Basic Load Ratings](#) | [Factors](#)

**Specifications**

<b>Design Unit</b>	Metric
<b>d - Bore</b>	110 mm
<b>Bore_Taper</b>	1/12
<b>Cage Type</b>	EM
<b>Cage Material</b>	Brass
<b>Superseded Part</b>	22222KYMW33

**Dimensions**

**D - Outer Diameter**

200 mm

7.874 in

<b>B' - Inner Ring Width</b>	53 mm 2.0866 in
------------------------------	--------------------

<b>B - Outer Ring Width</b>	53 mm 2.0866 in
-----------------------------	--------------------

## Abutment and Fillet Dimensions

<b>R - Inner Ring "To Clear" Radius<sup>1</sup></b>	2 mm 0.080 in
---	------------------

<b>r - Outer Ring "To Clear" Radius<sup>2</sup></b>	2 mm 0.080 in
---	------------------

<b>da - Inner Ring Backing Diameter</b>	133.000 mm 5.2000 in
---	-------------------------

<b>Da - Outer Ring Backing Diameter</b>	182 mm 7.200 in
---	--------------------

## Basic Load Ratings

<b>C0 - Static Radial Rating</b>	653000 N 147000 lbf
----------------------------------	------------------------

<b>C1(2) - Dynamic Radial Rating (Two-Rows)</b>	555000 N 125000 lbf
---	------------------------

## Factors

<b>e - ISO Factor<sup>3</sup></b>	0.25
-----------------------------------	------

<b>Y0 - ISO Factor<sup>4</sup></b>	2.67
------------------------------------	------

<b>Y1 - ISO Factor<sup>5</sup></b>	2.73
------------------------------------	------

<b>Y2 - ISO Factor<sup>6</sup></b>	4.06
------------------------------------	------

<b>Reference Thermal Speed Rating (Grease)</b>	2900 rpm
--	----------

<b>Reference Thermal Speed Rating (Oil)<sup>7</sup></b>	3500 rpm
---	----------

<b>C<sub>g</sub> - Geometry Factor<sup>8</sup></b>	0.0742
--	--------

<sup>1</sup> Maximum housing fillet radius that bearing corners will clear.

<sup>2</sup> Maximum shaft fillet radius that bearing corners will clear.

<sup>3</sup> These factors apply for both inch and metric calculations. Consult your Timken representative for instruction on use.

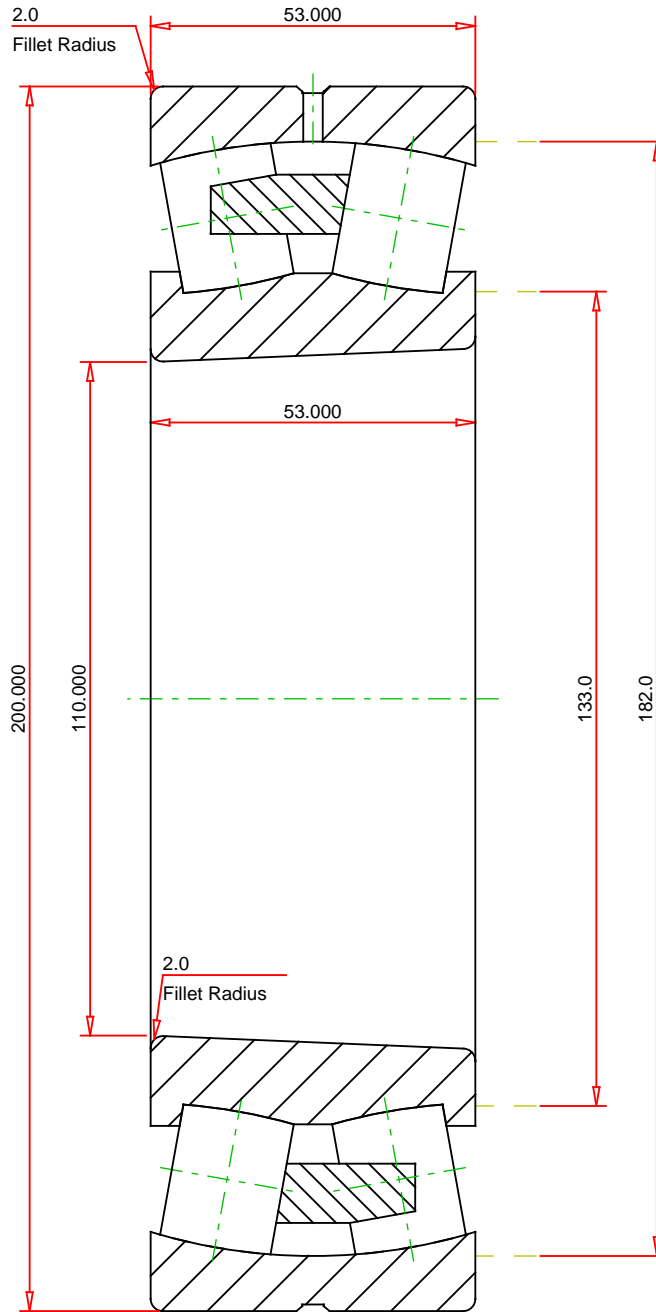
<sup>4</sup> These factors apply for both inch and metric calculations. See engineering

<sup>5</sup> These factors apply for both inch and metric calculations. Consult your Timken representative for instruction on use.

<sup>6</sup> These factors apply for both inch and metric calculations. Consult your Timken representative for instruction on use.

<sup>7</sup> See thermal speed ratings in the engineering section.

<sup>8</sup> Geometry constant for Lubrication Life Adjustment Factor a<sub>3l</sub>.



METRIC UNITS

Number of Rollers Per Row	19
ISO Factor e	0.25
ISO Factor Y0	2.67
ISO Factor Y1	2.73
ISO Factor Y2	4.06
Bearing Weight	7.2 kg
Cage Type	EM
Cage Material	Brass
Bore Taper	1/12

**TIMKEN**®

---

**THE TIMKEN COMPANY**  
NORTH CANTON, OHIO USA

<b>22222KEMW33</b> SRB ASSEMBLY	
Dynamic Radial Rating (Two Rows)	555000 N
Static Radial Rating	653000 N

Every reasonable effort has been made to ensure the accuracy of the information contained in this writing, but no liability is accepted for errors, omissions or for any other reason.

**FOR DISCUSSION ONLY**