


The Timken Company

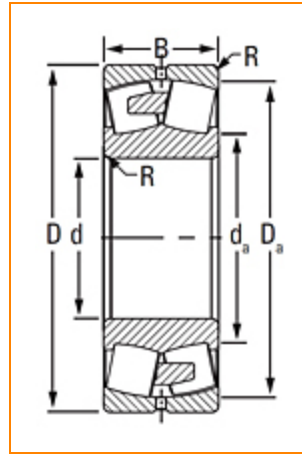
4500 Mt Pleasant St. NW

N. Canton, OH 44720

Phone: (234) 262-3000

E-Mail: CustomerCAD@timken.com • **Web site:** www.timken.com
Part Number 22222KEMW33C3, Spherical Roller Bearings - Brass Cage

Spherical bearings are designed to manage high radial loads even when misalignment, poor lubrication, contamination, extreme speeds or critical application stresses are present.



[Specifications](#) | [Dimensions](#) | [Abutment and Fillet Dimensions](#) | [Basic Load Ratings](#) | [Factors](#)

Specifications

Design Unit	Metric
d - Bore	110 mm
Bore_Taper	1/12
Cage Type	EM
Cage Material	Brass
Superseded Part	22222KYMW33C3

Dimensions

D - Outer Diameter

200 mm

7.874 in

B' - Inner Ring Width	53 mm 2.0866 in
------------------------------	--------------------

B - Outer Ring Width	53 mm 2.0866 in
-----------------------------	--------------------

Abutment and Fillet Dimensions

R - Inner Ring "To Clear" Radius¹	2 mm 0.080 in
---	------------------

r - Outer Ring "To Clear" Radius²	2 mm 0.080 in
---	------------------

da - Inner Ring Backing Diameter	133.000 mm 5.2000 in
---	-------------------------

Da - Outer Ring Backing Diameter	182 mm 7.200 in
---	--------------------

Basic Load Ratings

C0 - Static Radial Rating	653000 N 147000 lbf
----------------------------------	------------------------

C1(2) - Dynamic Radial Rating (Two-Rows)	555000 N 125000 lbf
---	------------------------

Factors

e - ISO Factor³	0.25
-----------------------------------	------

Y0 - ISO Factor⁴	2.67
------------------------------------	------

Y1 - ISO Factor⁵	2.73
------------------------------------	------

Y2 - ISO Factor⁶	4.06
------------------------------------	------

Reference Thermal Speed Rating (Grease)	2900 rpm
--	----------

Reference Thermal Speed Rating (Oil)⁷	3500 rpm
---	----------

C_g - Geometry Factor⁸	0.0742
--	--------

¹ Maximum housing fillet radius that bearing corners will clear.

² Maximum shaft fillet radius that bearing corners will clear.

³ These factors apply for both inch and metric calculations. Consult your Timken representative for instruction on use.

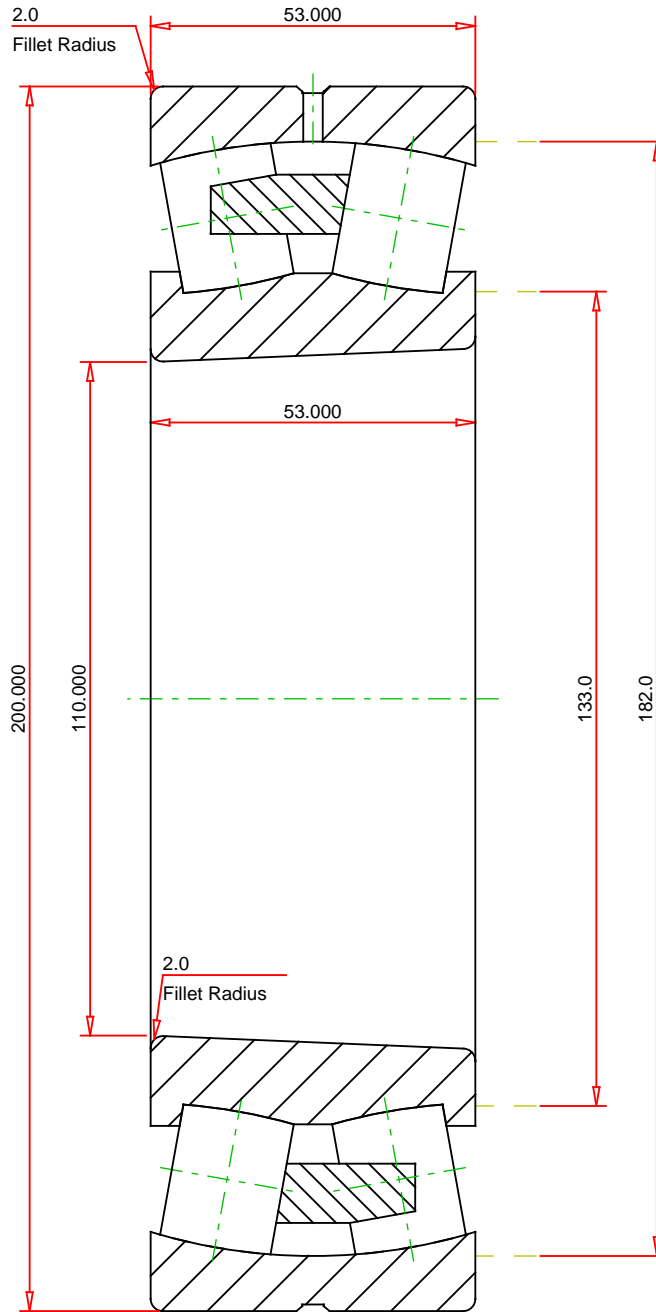
⁴ These factors apply for both inch and metric calculations. See engineering

⁵ These factors apply for both inch and metric calculations. Consult your Timken representative for instruction on use.

⁶ These factors apply for both inch and metric calculations. Consult your Timken representative for instruction on use.

⁷ See thermal speed ratings in the engineering section.

⁸ Geometry constant for Lubrication Life Adjustment Factor a_{3l}.



METRIC UNITS

Number of Rollers Per Row	19
ISO Factor e	0.25
ISO Factor Y0	2.67
ISO Factor Y1	2.73
ISO Factor Y2	4.06
Bearing Weight	7.2 kg
Cage Type	EM
Cage Material	Brass
Bore Taper	1/12

TIMKEN®

THE TIMKEN COMPANY
NORTH CANTON, OHIO USA

22222KEMW33C3 SRB ASSEMBLY	
Dynamic Radial Rating (Two Rows)	555000 N
Static Radial Rating	653000 N

Every reasonable effort has been made to ensure the accuracy of the information contained in this writing, but no liability is accepted for errors, omissions or for any other reason.

FOR DISCUSSION ONLY