



The Timken Company

4500 Mt Pleasant St. NW

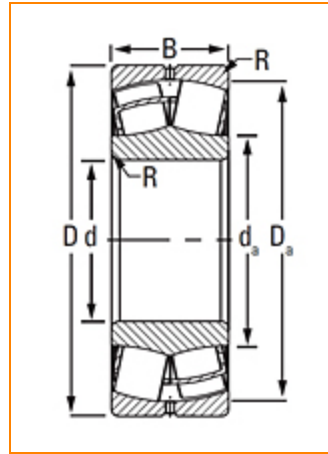
N. Canton, OH 44720

Phone: (234) 262-3000

E-Mail: CustomerCAD@timken.com • **Web site:** www.timken.com

Part Number 22222KEJW33C3, Spherical Roller Bearings - Steel Cage

Spherical bearings are designed to manage high radial loads even when misalignment, poor lubrication, contamination, extreme speeds or critical application stresses are present.



[Specifications](#) | [Factors](#) | [Dimensions](#) | [Abutment and Fillet Dimensions](#) | [Basic Load Ratings](#)

Specifications

UPC Code	087796025318
Design Unit	Metric
d - Bore	110 mm
Lubrication Type	Standard Grease
Bore_Taper	1/12
Cage Type	EJ
Cage Material	Steel
Superseded Part	22222KCJW33C3



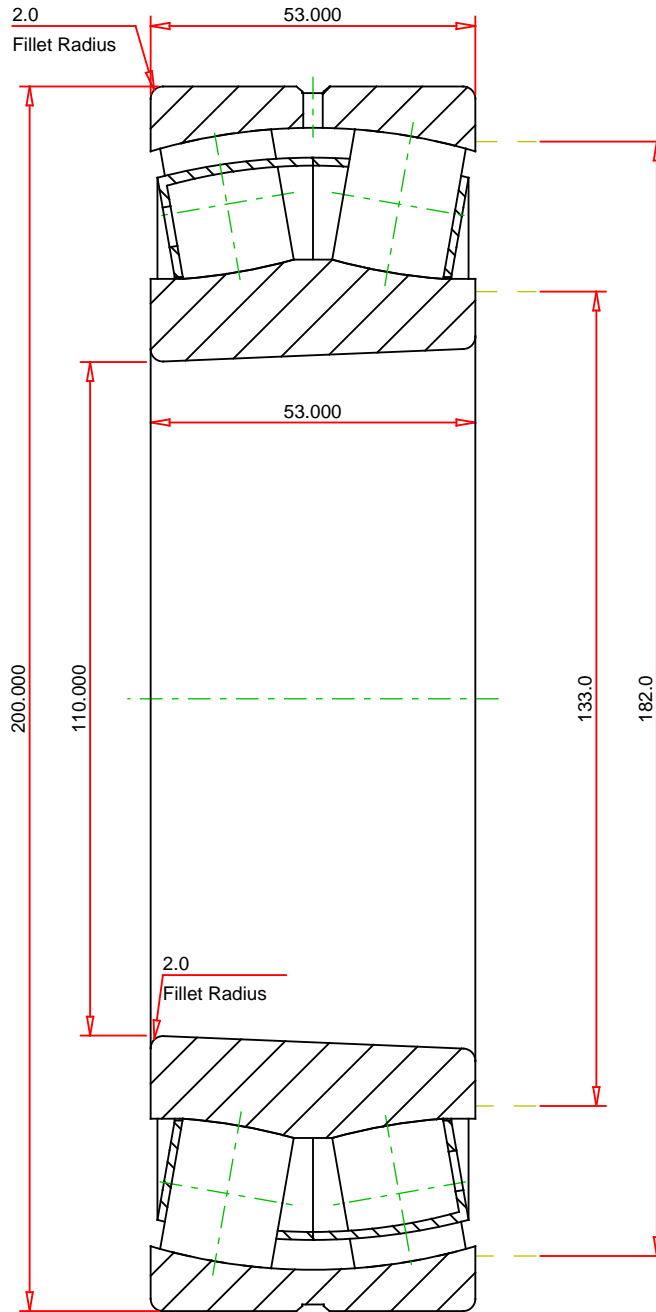
e - ISO Factor¹	0.25
Y0 - ISO Factor²	2.67
Y1 - ISO Factor³	2.73
Y2 - ISO Factor⁴	4.06
Reference Thermal Speed Rating (Grease)	2900 rpm
Reference Thermal Speed Rating (Oil)⁵	3500 rpm
Cg - Geometry Factor⁶	0.0742

Dimensions

D - Outer Diameter	200 mm 7.874 in
B' - Inner Ring Width	53 mm 2.0866 in
B - Outer Ring Width	53 mm 2.0866 in

Abutment and Fillet Dimensions

R - Inner Ring "To Clear" Radius⁷	2 mm 0.080 in
r - Outer Ring "To Clear" Radius⁸	2 mm 0.080 in
da - Inner Ring Backing Diameter	133.000 mm 5.2000 in
Da - Outer Ring Backing Diameter	182 mm 7.200 in



METRIC UNITS

Number of Rollers Per Row	19
ISO Factor e	0.25
ISO Factor Y0	2.67
ISO Factor Y1	2.73
ISO Factor Y2	4.06
Bearing Weight	kg
Cage Type	EJ
Cage Material	Steel
Bore Taper	1/12



2222KEJW33C3
SRB ASSEMBLY

THE TIMKEN COMPANY
NORTH CANTON, OHIO USA

Dynamic Radial Rating (Two Rows)	555000	N
Static Radial Rating	653000	N

Every reasonable effort has been made to ensure the accuracy of the information contained in this writing, but no liability is accepted for errors, omissions or for any other reason.

FOR DISCUSSION ONLY