


The Timken Company

4500 Mt Pleasant St. NW

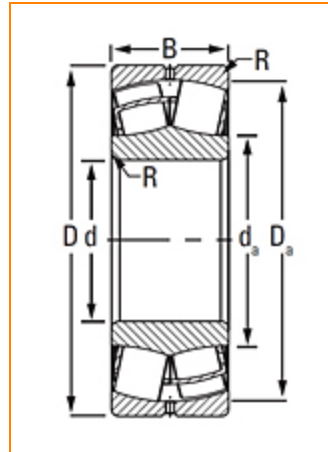
N. Canton, OH 44720

Phone: (234) 262-3000

E-Mail: CustomerCAD@timken.com • **Web site:** www.timken.com

Part Number 21318EJW33, Spherical Roller Bearings - Steel Cage

Spherical bearings are designed to manage high radial loads even when misalignment, poor lubrication, contamination, extreme speeds or critical application stresses are present.



[Specifications](#) | [Factors](#) | [Dimensions](#) | [Abutment and Fillet Dimensions](#) | [Basic Load Ratings](#)

Specifications

UPC Code	087796022652
Design Unit	Metric
d - Bore	90 mm
Lubrication Type	Standard Grease
Cage Type	EJ
Cage Material	Steel
Superseded Part	21318CJW33

Factors



e - ISO Factor¹	0.22
-----------------------------------	------

Y0 - ISO Factor²	2.99
Y1 - ISO Factor³	3.05
Y2 - ISO Factor⁴	4.55
Reference Thermal Speed Rating (Grease)	3100 rpm
Reference Thermal Speed Rating (Oil)⁵	3700 rpm
Cg - Geometry Factor⁶	0.0693

Dimensions

D - Outer Diameter	190 mm 7.4803 in
B' - Inner Ring Width	43 mm 1.6929 in
B - Outer Ring Width	43 mm 1.6929 in

Abutment and Fillet Dimensions

R - Inner Ring "To Clear" Radius⁷	2.5 mm 0.100 in
r - Outer Ring "To Clear" Radius⁸	2.5 mm 0.1 in
da - Inner Ring Backing Diameter	118.000 mm 4.7000 in
Da - Outer Ring Backing Diameter	171.000 mm 6.7000 in

Basic Load Ratings

C0 - Static Radial Rating	449000 N 101000 lbf
C1(2) - Dynamic Radial Rating (Two-Rows)	442000 N 99400 lbf

¹ These factors apply for both inch and metric calculations. Consult your Timken representative for instruction on use.

² These factors apply for both inch and metric calculations. See engineering

³ These factors apply for both inch and metric calculations. Consult your Timken representative for instruction on use.

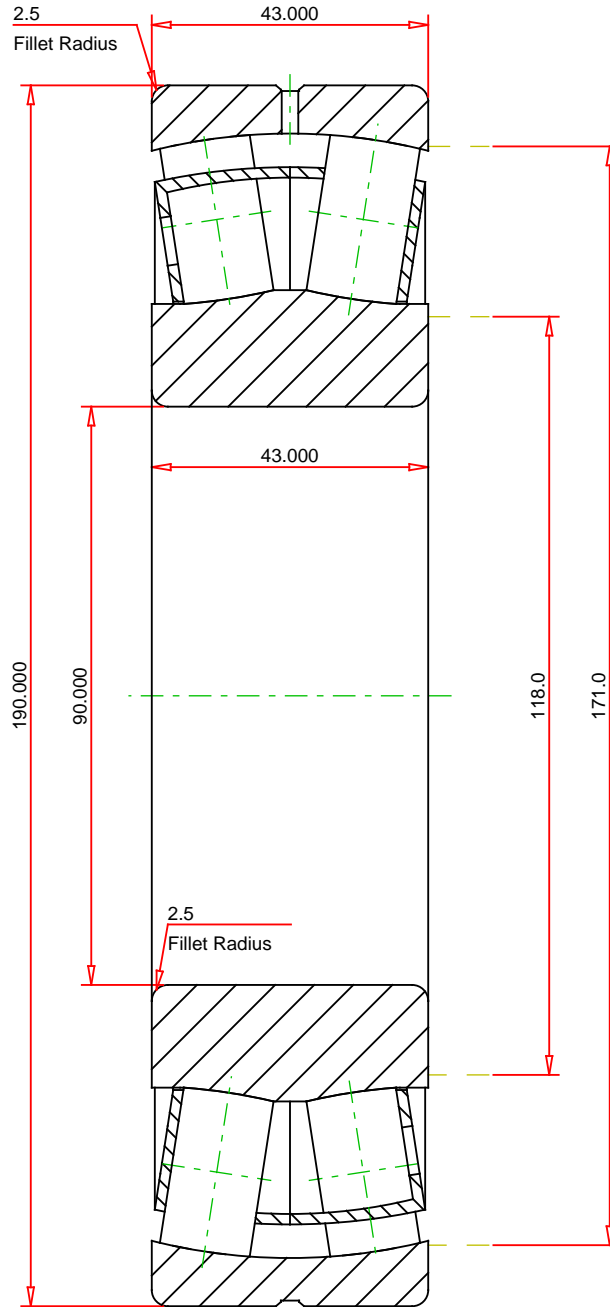
⁴ These factors apply for both inch and metric calculations. Consult your Timken representative for instruction on use.

⁵ See thermal speed ratings in the engineering section.

⁶ Geometry constant for Lubrication Life Adjustment Factor a_3 .

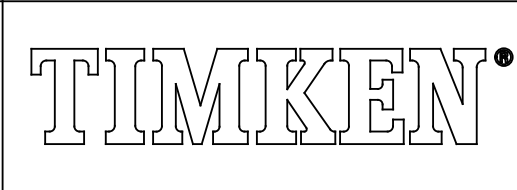
⁷ Maximum housing fillet radius that bearing corners will clear.

⁸ These maximum fillet radii will be cleared by the bearing corners.



METRIC UNITS

Number of Rollers Per Row	16
ISO Factor e	0.22
ISO Factor Y0	2.99
ISO Factor Y1	3.05
ISO Factor Y2	4.55
Bearing Weight	kg
Cage Type	EJ
Cage Material	Steel



THE TIMKEN COMPANY
NORTH CANTON, OHIO USA

21318EJW33 SRB ASSEMBLY	
Dynamic Radial Rating (Two Rows)	442000 N
Static Radial Rating	449000 N

Every reasonable effort has been made to ensure the accuracy of the information contained in this writing, but no liability is accepted for errors, omissions or for any other reason.

FOR DISCUSSION ONLY