



The Timken Company

4500 Mt Pleasant St. NW

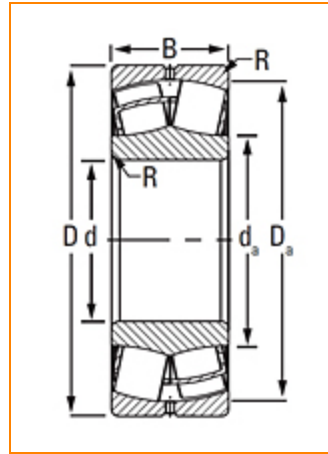
N. Canton, OH 44720

Phone: (234) 262-3000

E-Mail: CustomerCAD@timken.com • **Web site:** www.timken.com

Part Number 22313KEJW33C3, Spherical Roller Bearings - Steel Cage

Spherical bearings are designed to manage high radial loads even when misalignment, poor lubrication, contamination, extreme speeds or critical application stresses are present.



[Specifications](#) | [Factors](#) | [Dimensions](#) | [Abutment and Fillet Dimensions](#) | [Basic Load Ratings](#)

Specifications

UPC Code	087796024045
Design Unit	Metric
d - Bore	65 mm
Lubrication Type	Standard Grease
Bore_Taper	1/12
Cage Type	EJ
Cage Material	Steel
Superseded Part	22313KCJW33C3



e - ISO Factor¹	0.33
Y0 - ISO Factor²	2
Y1 - ISO Factor³	2.05
Y2 - ISO Factor⁴	3.05
Reference Thermal Speed Rating (Grease)	3800 rpm
Reference Thermal Speed Rating (Oil)⁵	4400 rpm
Cg - Geometry Factor⁶	0.0558

Dimensions

D - Outer Diameter	140 mm 5.5118 in
B' - Inner Ring Width	48 mm 1.8898 in
B - Outer Ring Width	48 mm 1.8898 in

Abutment and Fillet Dimensions

R - Inner Ring "To Clear" Radius⁷	2 mm 0.080 in
r - Outer Ring "To Clear" Radius⁸	2 mm 0.080 in
da - Inner Ring Backing Diameter	84.000 mm 3.300 in
Da - Outer Ring Backing Diameter	127.000 mm 5.000 in

Basic Load Ratings

C0 - Static Radial Rating	346000 N 77800 lbf
----------------------------------	-----------------------

C1(2) - Dynamic Radial Rating (Two-Rows)	344000 N 77400 lbf
---	-----------------------

¹ These factors apply for both inch and metric calculations. Consult your Timken representative for instruction on use.

² These factors apply for both inch and metric calculations. See engineering

³ These factors apply for both inch and metric calculations. Consult your Timken representative for instruction on use.

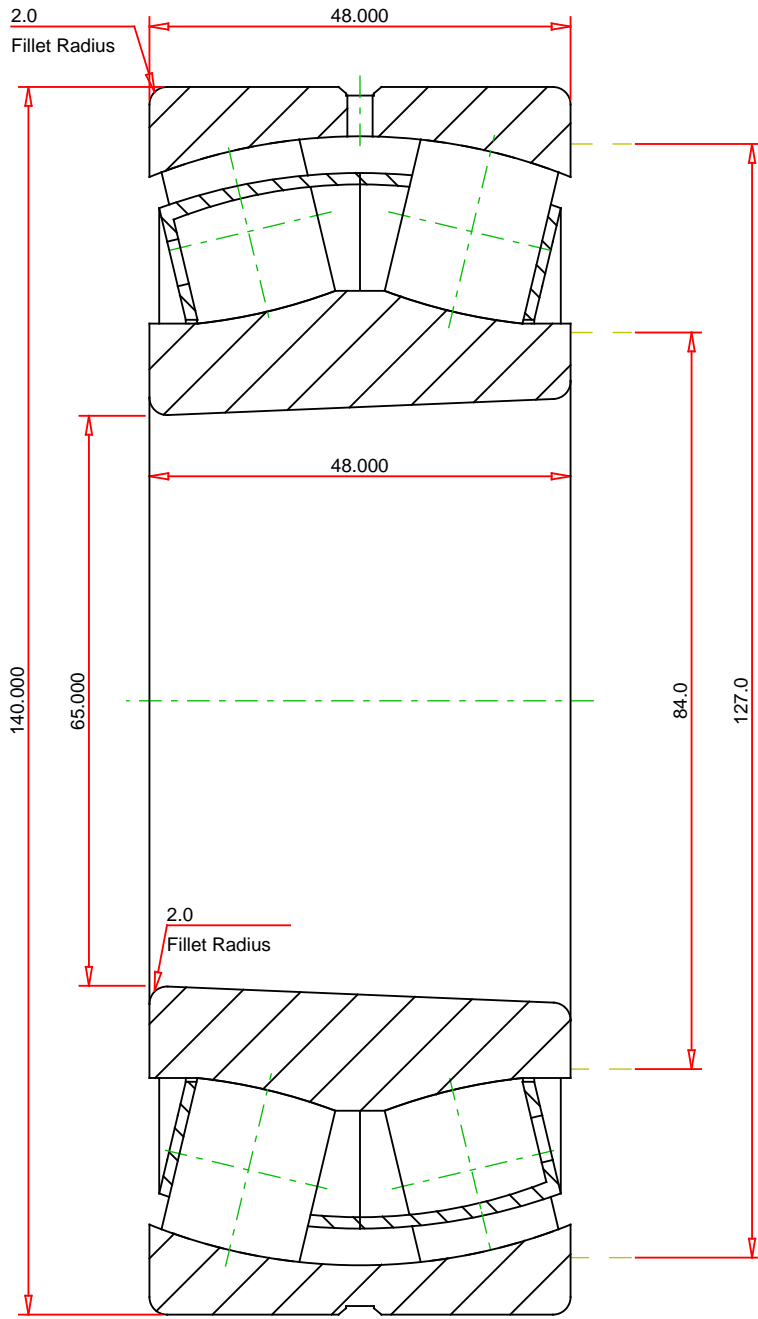
⁴ These factors apply for both inch and metric calculations. Consult your Timken representative for instruction on use.

⁵ See thermal speed ratings in the engineering section.

⁶ Geometry constant for Lubrication Life Adjustment Factor a_3 .

⁷ Maximum housing fillet radius that bearing corners will clear.

⁸ These maximum fillet radii will be cleared by the bearing corners.



METRIC UNITS

Number of Rollers Per Row	14
ISO Factor e	0.33
ISO Factor Y0	2.00
ISO Factor Y1	2.05
ISO Factor Y2	3.05
Bearing Weight	kg
Cage Type	EJ
Cage Material	Steel
Bore Taper	1/12

TIMKEN®

22313KEJW33C3
SRB ASSEMBLY

THE TIMKEN COMPANY
NORTH CANTON, OHIO USA

Dynamic Radial Rating (Two Rows)	344000	N
Static Radial Rating	346000	N

Every reasonable effort has been made to ensure the accuracy of the information contained in this writing, but no liability is accepted for errors, omissions or for any other reason.

FOR DISCUSSION ONLY