


The Timken Company

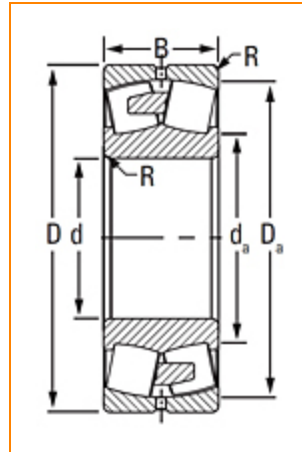
4500 Mt Pleasant St. NW

N. Canton, OH 44720

Phone: (234) 262-3000

E-Mail: CustomerCAD@timken.com • **Web site:** www.timken.com
Part Number 23322EMW33W800C6, Spherical Roller Bearings - Brass Cage

Spherical bearings are designed to manage high radial loads even when misalignment, poor lubrication, contamination, extreme speeds or critical application stresses are present.




[Specifications](#) | [Dimensions](#) | [Abutment and Fillet Dimensions](#) | [Basic Load Ratings](#) | [Factors](#)

Specifications

Design Unit	Metric
d - Bore	110 mm
Cage Type	EM
Cage Material	Brass
Superseded Part	23322YMW33W800C6

Dimensions

D - Outer Diameter	239.993 mm 9.4485 in
 d' - Inner Ring Width	92.1 mm 3.6260 in

B - Outer Ring Width	92.1 mm 3.6260 in
-----------------------------	----------------------

Abutment and Fillet Dimensions

R - Inner Ring "To Clear" Radius¹	2.5 mm 0.100 in
---	--------------------

r - Outer Ring "To Clear" Radius²	2.5 mm 0.1 in
---	------------------

da - Inner Ring Backing Diameter	136 mm 5.4000 in
---	---------------------

Da - Outer Ring Backing Diameter	209 mm 8.200 in
---	--------------------

Basic Load Ratings

C0 - Static Radial Rating	1080000 N 243000 lbf
----------------------------------	-------------------------

C1(2) - Dynamic Radial Rating (Two-Rows)	979000 N 220000 lbf
---	------------------------

Factors

e - ISO Factor³	0.4
-----------------------------------	-----

Y0 - ISO Factor⁴	1.63
------------------------------------	------

Y1 - ISO Factor⁵	1.67
------------------------------------	------

Y2 - ISO Factor⁶	2.49
------------------------------------	------

Reference Thermal Speed Rating (Grease)	1600 rpm
--	----------

Reference Thermal Speed Rating (Oil)⁷	1800 rpm
---	----------

Cg - Geometry Factor⁸	0.077
---	-------

¹ Maximum housing fillet radius that bearing corners will clear.

² Maximum shaft fillet radius that bearing corners will clear.

³ These factors apply for both inch and metric calculations. Consult your Timken representative for instruction on use.

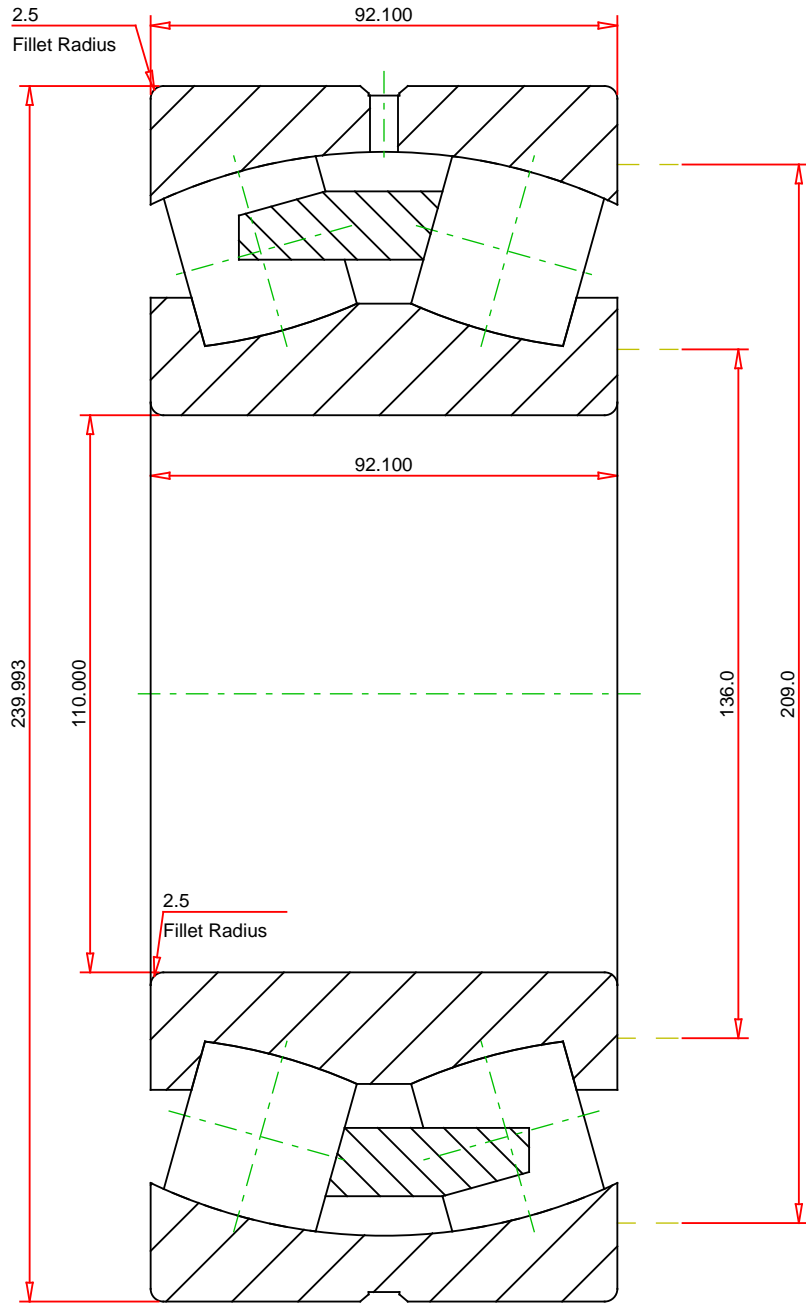
⁴ These factors apply for both inch and metric calculations. See engineering

⁵ These factors apply for both inch and metric calculations. Consult your Timken representative for instruction on use.

⁶ These factors apply for both inch and metric calculations. Consult your Timken representative for instruction on use.

⁷ See thermal speed ratings in the engineering section.

⁸ Geometry constant for Lubrication Life Adjustment Factor a3l.



METRIC UNITS

Number of Rollers Per Row	14
ISO Factor e	0.40
ISO Factor Y0	1.63
ISO Factor Y1	1.67
ISO Factor Y2	2.49
Bearing Weight	20.4 kg
Cage Type	EM
Cage Material	Brass

TIMKEN®

THE TIMKEN COMPANY
NORTH CANTON, OHIO USA

23322EMW33W800C6	
SRB ASSEMBLY	
Dynamic Radial Rating (Two Rows)	979000 N
Static Radial Rating	1080000 N

Every reasonable effort has been made to ensure the accuracy of the information contained in this writing, but no liability is accepted for errors, omissions or for any other reason.

FOR DISCUSSION ONLY