


**The Timken Company**

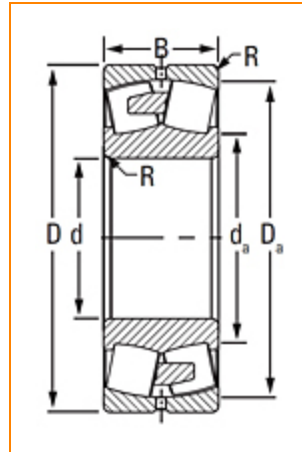
4500 Mt Pleasant St. NW

N. Canton, OH 44720

**Phone:** (234) 262-3000

**E-Mail:** [CustomerCAD@timken.com](mailto:CustomerCAD@timken.com) • **Web site:** [www.timken.com](http://www.timken.com)
**Part Number 23928EMW33C3, Spherical Roller Bearings - Brass Cage**

Spherical bearings are designed to manage high radial loads even when misalignment, poor lubrication, contamination, extreme speeds or critical application stresses are present.




[Specifications](#) | [Dimensions](#) | [Abutment and Fillet Dimensions](#) | [Basic Load Ratings](#) | [Factors](#)

**Specifications**

<b>Design Unit</b>	Metric
<b>d - Bore</b>	140 mm
<b>Cage Type</b>	EM
<b>Cage Material</b>	Brass
<b>Superseded Part</b>	23928YMW33C3

**Dimensions**

<b>D - Outer Diameter</b>	190 mm 7.4803 in
 <b>d - Inner Ring Width</b>	37 mm 1.4567 in

<b>B - Outer Ring Width</b>	37 mm 1.4567 in
-----------------------------	--------------------

## Abutment and Fillet Dimensions

<b>R - Inner Ring "To Clear" Radius<sup>1</sup></b>	1.5 mm 0.060 in
---	--------------------

<b>r - Outer Ring "To Clear" Radius<sup>2</sup></b>	1.5 mm 0.06 in
---	-------------------

<b>da - Inner Ring Backing Diameter</b>	152 mm 6.0000 in
---	---------------------

<b>Da - Outer Ring Backing Diameter</b>	180.000 mm 7.1000 in
---	-------------------------

## Basic Load Ratings

<b>C0 - Static Radial Rating</b>	477000 N 107000 lbf
----------------------------------	------------------------

<b>C1(2) - Dynamic Radial Rating (Two-Rows)</b>	314000 N 70500 lbf
---	-----------------------

## Factors

<b>e - ISO Factor<sup>3</sup></b>	0.16
-----------------------------------	------

<b>Y0 - ISO Factor<sup>4</sup></b>	4.01
------------------------------------	------

<b>Y1 - ISO Factor<sup>5</sup></b>	4.1
------------------------------------	-----

<b>Y2 - ISO Factor<sup>6</sup></b>	6.1
------------------------------------	-----

<b>Reference Thermal Speed Rating (Grease)</b>	2200 rpm
--	----------

<b>Reference Thermal Speed Rating (Oil)<sup>7</sup></b>	2800 rpm
---	----------

<b>Cg - Geometry Factor<sup>8</sup></b>	0.0789
---	--------

<sup>1</sup> Maximum housing fillet radius that bearing corners will clear.

<sup>2</sup> Maximum shaft fillet radius that bearing corners will clear.

<sup>3</sup> These factors apply for both inch and metric calculations. Consult your Timken representative for instruction on use.

<sup>4</sup> These factors apply for both inch and metric calculations. See engineering

<sup>5</sup> These factors apply for both inch and metric calculations. Consult your Timken representative for instruction on use.

<sup>6</sup> These factors apply for both inch and metric calculations. Consult your Timken representative for instruction on use.

<sup>7</sup> See thermal speed ratings in the engineering section.

<sup>8</sup> Geometry constant for Lubrication Life Adjustment Factor a3l.

