


The Timken Company

4500 Mt Pleasant St. NW

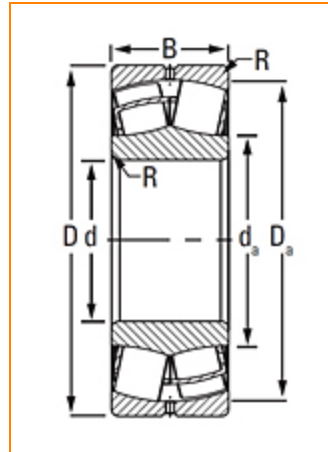
N. Canton, OH 44720

Phone: (234) 262-3000

E-Mail: CustomerCAD@timken.com • **Web site:** www.timken.com

Part Number 24028EJW33C3, Spherical Roller Bearings - Steel Cage

Spherical bearings are designed to manage high radial loads even when misalignment, poor lubrication, contamination, extreme speeds or critical application stresses are present.



[Specifications](#) | [Factors](#) | [Dimensions](#) | [Abutment and Fillet Dimensions](#) | [Basic Load Ratings](#)

Specifications

UPC Code	087796142664
Design Unit	Metric
d - Bore	140 mm
Lubrication Type	Standard Grease
Cage Type	EJ
Cage Material	Steel
Superseded Part	24028CJW33C3

Factors



e - ISO Factor¹	0.29
-----------------------------------	------

Y0 - ISO Factor²	2.31
Y1 - ISO Factor³	2.36
Y2 - ISO Factor⁴	3.51
Reference Thermal Speed Rating (Grease)	1800 rpm
Reference Thermal Speed Rating (Oil)⁵	2100 rpm
Cg - Geometry Factor⁶	0.0813

Dimensions

D - Outer Diameter	210 mm 8.2677 in
B' - Inner Ring Width	69 mm 2.7165 in
B - Outer Ring Width	69 mm 2.7165 in

Abutment and Fillet Dimensions

R - Inner Ring "To Clear" Radius⁷	2 mm 0.080 in
r - Outer Ring "To Clear" Radius⁸	2 mm 0.080 in
da - Inner Ring Backing Diameter	154 mm 6.1000 in
Da - Outer Ring Backing Diameter	195 mm 7.700 in

Basic Load Ratings

C0 - Static Radial Rating	1060000 N 238000 lbf
C1(2) - Dynamic Radial Rating (Two-Rows)	702000 N 158000 lbf

¹ These factors apply for both inch and metric calculations. Consult your Timken representative for instruction on use.

² These factors apply for both inch and metric calculations. See engineering

³ These factors apply for both inch and metric calculations. Consult your Timken representative for instruction on use.

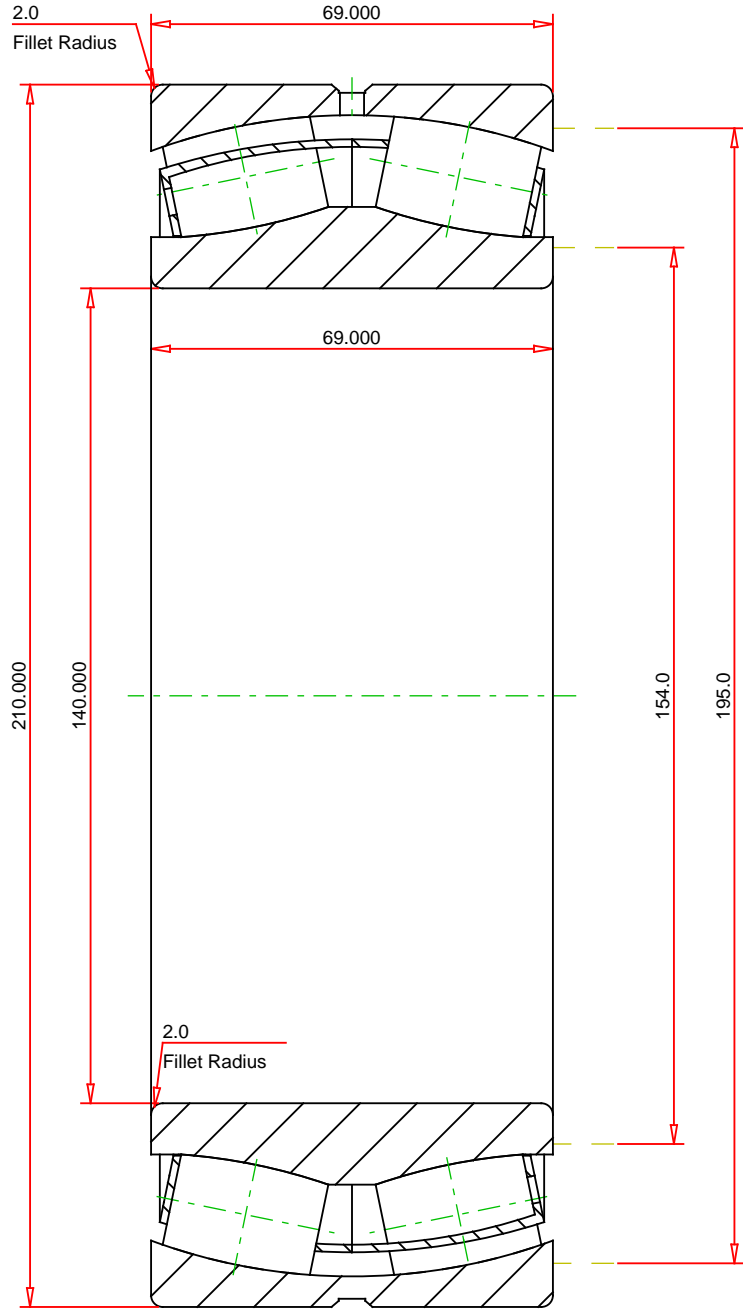
⁴ These factors apply for both inch and metric calculations. Consult your Timken representative for instruction on use.

⁵ See thermal speed ratings in the engineering section.

⁶ Geometry constant for Lubrication Life Adjustment Factor a_3 .

⁷ Maximum housing fillet radius that bearing corners will clear.

⁸ These maximum fillet radii will be cleared by the bearing corners.



METRIC UNITS

Number of Rollers Per Row	26
ISO Factor e	0.29
ISO Factor Y0	2.31
ISO Factor Y1	2.36
ISO Factor Y2	3.51
Bearing Weight	kg
Cage Type	EJ
Cage Material	Steel

TIMKEN®

24028EJW33C3
SRB ASSEMBLY

THE TIMKEN COMPANY
NORTH CANTON, OHIO USA

Dynamic Radial Rating (Two Rows)	702000	N
Static Radial Rating	1060000	N

Every reasonable effort has been made to ensure the accuracy of the information contained in this writing, but no liability is accepted for errors, omissions or for any other reason.

FOR DISCUSSION ONLY