


The Timken Company

4500 Mt Pleasant St. NW

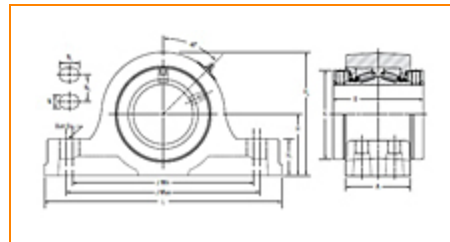
N. Canton, OH 44720

Phone: (234) 262-3000

E-Mail: CustomerCAD@timken.com • **Web site:** www.timken.com

Part Number E-P4B-TRB-90MM, Type E Pillow Block: 4-Bolt Base Bearing

Type E tapered roller bearing Mounted Bearings are available in a wide variety of sizes and configurations to meet the requirements of demanding applications. Popular part numbers are in stock for immediate availability. Metric sizes also are available in shaft diameters ranging from 35 mm to 125 mm.



[Specifications](#) | [Dimensions](#) | [Radial and Thrust Factors; Speed and Slip-Fit Load Limits](#) | [Note](#)

Specifications

| | |
|------------------------|-----------------------------|
| Shaft Size | 90 mm |
| Shaft Size Type | Metric |
| UPC Code | 053893775609 |
| Lubrication | Grease - Premium Industrial |
| Housing Coating | E-Coat |

Dimensions

| | |
|--------------------|-----------|
| Dimension B | 5 in |
| Dimension L | 13-1/2 in |



| | |
|--------------------------------|------------|
| Dimension A | 4-1/2 in |
| Dimension J Min. | 10-3/4 in |
| Dimension J Max. | 11-1/4 in |
| Bolt Diameter | 3/4 in |
| Dimension N | 15/16 in |
| Dimension N₁ | 1-3/16 in |
| Dimension N₂ | 2-3/8 in |
| Dimension H₁ | 2-1/4 in |
| Dimension H₂ | 7-1/2 in |
| Dimension d₁ | 5-17/32 in |
| Dimension H | 3-3/4 in |

Radial and Thrust Factors; Speed and Slip-Fit Load Limits

| | |
|--|------------|
| e | 0.50 |
| X (if $F_a/F_r \leq e$) | 0.87 |
| Y (if $F_a/F_r \leq e$) | 1.71 |
| X (if $F_a/F_r > e$) | 0.7 |
| Y (if $F_a/F_r > e$) | 2.07 |
| K Factor | 1.19 |
| C₉₀ Dynamic Load Rating¹ | 19600 lbf |
| C₀ Static Load Rating | 108600 lbf |
| F_{a-max} Maximum Permissible Thrust Load² | 5181 lbf |

| | |
|--|-----------|
| F_{r-max} Maximum Allowable Slip Fit Radial Load³ | 16000 lbf |
| Max. Speed⁴ | 1640 rpm |

Note

Note: All units have a 1/8" pipe thread grease fitting

The Maximum Permissible Thrust Load applies to conditions of slip fit with set screw mounting or in applications where a large moment loading occurs. The values shown are valid only when two collars and set screws are used.

Note

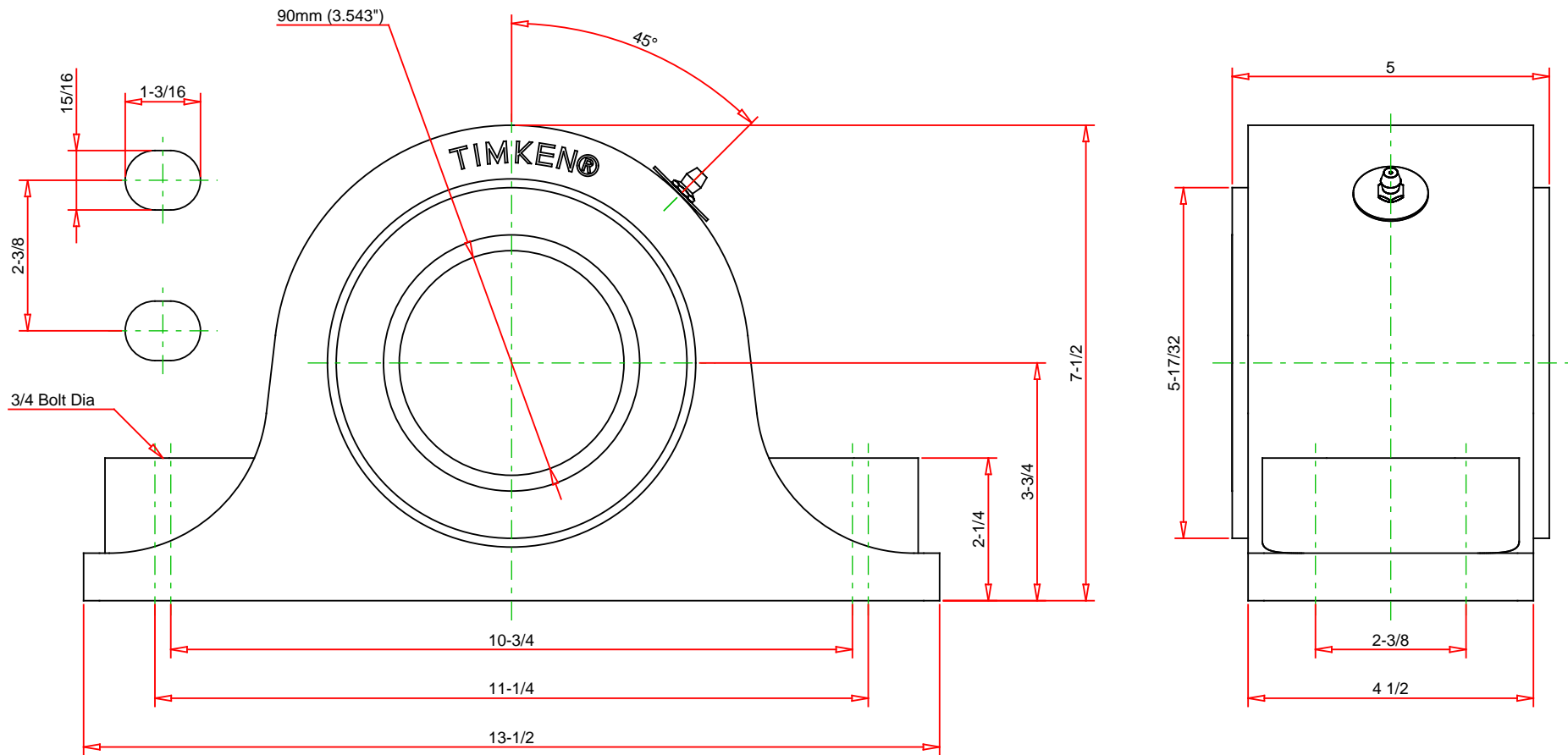
When heavy thrust forces are applied, the friction between the pillow block base may not be sufficient to prevent movement. Mechanical stops or shear bars with strength sufficient to support the load should be added. Never weld the pillow block or bearing to secure it to the shaft or base.

¹ C_{90} is the Dynamic Load Rating based on a rated Life of 90 million revolutions (3000 hrs at 500 RPM).

² F_{a-max} is based on the limits of the holding force of two properly tightened collars and set screws. Fifty percent of the values should be used when a single collar is installed.

³ If the application loads approach or exceed F_{r-max} , the shaft fit should be adjusted to a line-to-line (g6 or h6) or light press fit (m6).

⁴ Timken Double Lip Seal



Note: Section View not to Scale

IMPERIAL UNITS

| | | |
|-----------|--------|-----|
| C90 | 19600 | LBS |
| Co | 108600 | LBS |
| Fa-MAX | 5181 | LBS |
| Fr-MAX | 16000 | LBS |
| MAX SPEED | 1640 | RPM |

TIMKEN

THE TIMKEN COMPANY
NORTH CANTON, OHIO USA

E-P4B-TRB-90MM
PILLOW BLOCK: 4-BOLT BASE

Every reasonable effort has been made to ensure the accuracy of the information contained in this writing, but no liability is accepted for errors, omissions or for any other reason.

FOR DISCUSSION ONLY