


The Timken Company

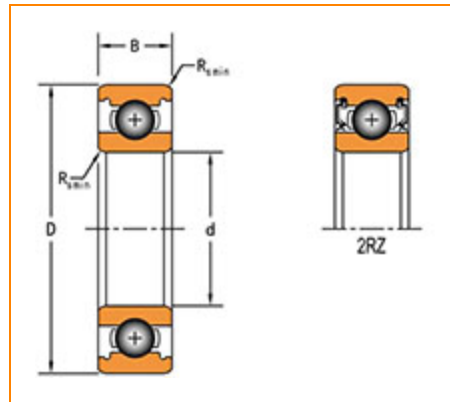
4500 Mt Pleasant St. NW

N. Canton, OH 44720

Phone: (234) 262-3000

E-Mail: CustomerCAD@timken.com • **Web site:** www.timken.com
Part Number 61907-2RZ, Thin Section Ball Bearings (61800, 61900)

Timken's deep groove ball bearings deliver reliable performance in a wide range of applications and conditions. With super-finished raceways and controlled geometries, our premium design helps ensure consistent quality.



[Specifications](#) | [Dimensions](#) | [Basic Load Ratings](#) | [Factors](#)

Specifications

Clearance	C0 (Normal)
Bore Size d	35 mm
Features	Non-Contact Seals

Dimensions

Outside Diameter D	55 mm
Outside Ring Width B	10 mm
Fillet Radius/Chamfer	0.6 mm



Basic Load Ratings

Cr - Dynamic Load Rating 10900 N

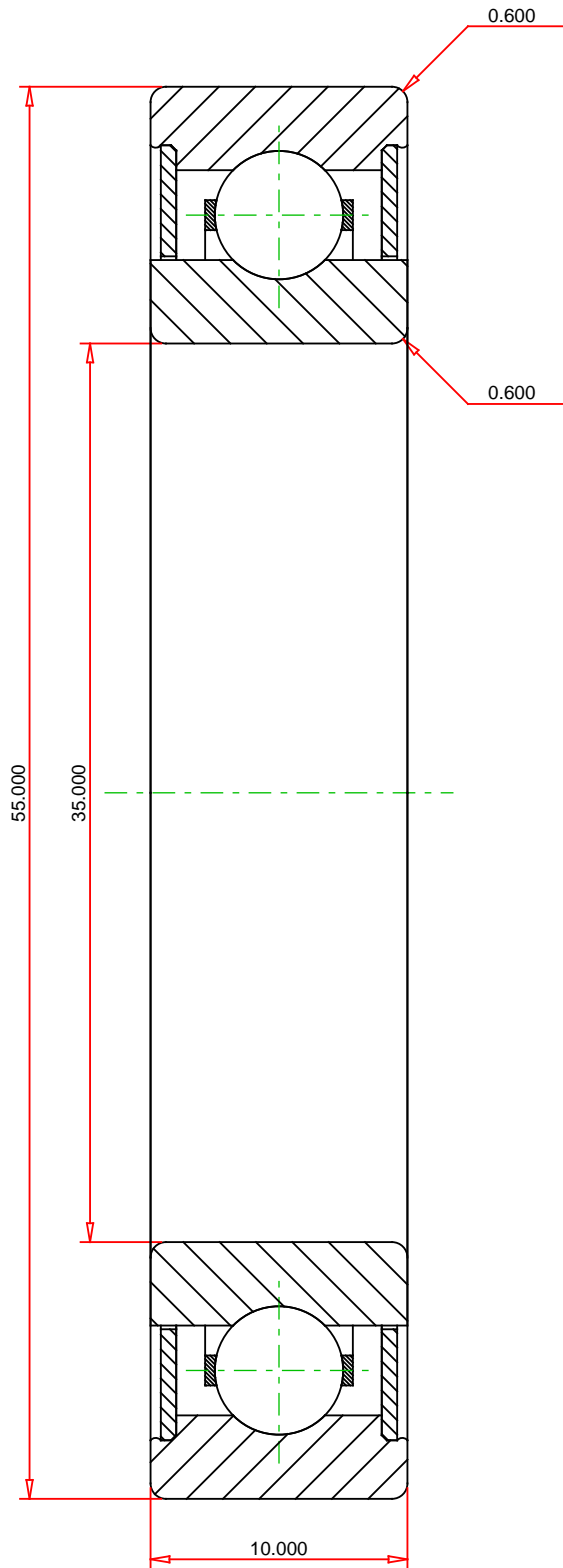
C0r - Static Load Rating 7800 N

Factors

Grease Reference Speed 12000 rpm

Grease Limiting Speed 12000 rpm

Oil Reference Speed 14000 rpm



METRIC UNITS

Weight 0.069 kg

TIMKEN®

61907-2RZ
Thin Section Ball Bearings (61800, 61900)

THE TIMKEN COMPANY
NORTH CANTON, OHIO USA

Dynamic Load Rating 10900 N
Static Load Rating 7800 N

Every reasonable effort has been made to ensure the accuracy of the information contained in this writing, but no liability is accepted for errors, omissions or for any other reason.

FOR DISCUSSION ONLY