



The Timken Company

4500 Mt Pleasant St. NW

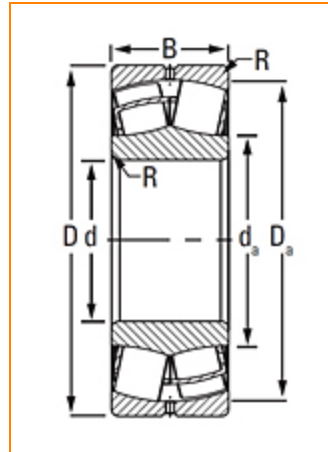
N. Canton, OH 44720

Phone: (234) 262-3000

E-Mail: CustomerCAD@timken.com • **Web site:** www.timken.com

Part Number 22236KEJW33, Spherical Roller Bearings - Steel Cage

Spherical bearings are designed to manage high radial loads even when misalignment, poor lubrication, contamination, extreme speeds or critical application stresses are present.



[Specifications](#) | [Factors](#) | [Dimensions](#) | [Abutment and Fillet Dimensions](#) | [Basic Load Ratings](#)

Specifications

UPC Code	087796025868
Design Unit	Metric
d - Bore	180 mm
Lubrication Type	Standard Grease
Bore_Taper	1/12
Cage Type	EJ
Cage Material	Steel
Superseded Part	22236KCJW33



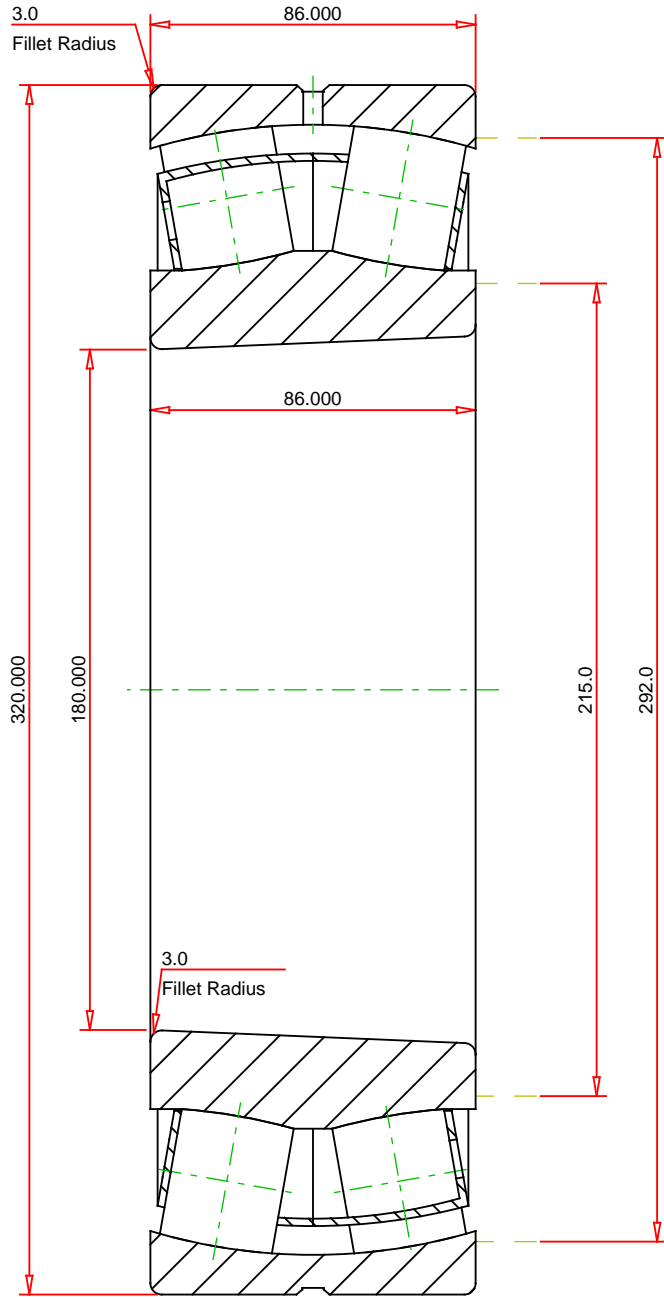
e - ISO Factor¹	0.25
Y0 - ISO Factor²	2.66
Y1 - ISO Factor³	2.72
Y2 - ISO Factor⁴	4.05
Reference Thermal Speed Rating (Grease)	1600 rpm
Reference Thermal Speed Rating (Oil)⁵	1900 rpm
Cg - Geometry Factor⁶	0.0937

Dimensions

D - Outer Diameter	320 mm 12.5984 in
B' - Inner Ring Width	86 mm 3.3858 in
B - Outer Ring Width	86 mm 3.3858 in

Abutment and Fillet Dimensions

R - Inner Ring "To Clear" Radius⁷	3 mm 0.120 in
r - Outer Ring "To Clear" Radius⁸	3 mm 0.12 in
da - Inner Ring Backing Diameter	215.000 mm 8.5000 in
Da - Outer Ring Backing Diameter	292 mm 11.5000 in



METRIC UNITS

Number of Rollers Per Row	19
ISO Factor e	0.25
ISO Factor Y0	2.66
ISO Factor Y1	2.72
ISO Factor Y2	4.05
Bearing Weight	kg
Cage Type	EJ
Cage Material	Steel
Bore Taper	1/12

TIMKEN®

THE TIMKEN COMPANY
NORTH CANTON, OHIO USA

22236KEJW33	
SRB ASSEMBLY	
Dynamic Radial Rating (Two Rows)	1340000 N
Static Radial Rating	1700000 N

Every reasonable effort has been made to ensure the accuracy of the information contained in this writing, but no liability is accepted for errors, omissions or for any other reason.

FOR DISCUSSION ONLY