



The Timken Company

4500 Mt Pleasant St. NW

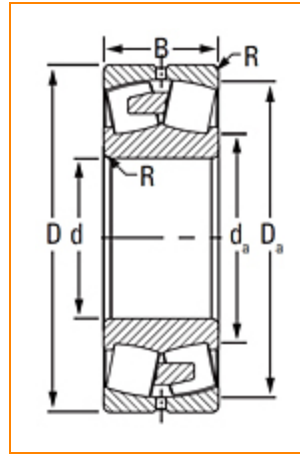
N. Canton, OH 44720

Phone: (234) 262-3000

E-Mail: CustomerCAD@timken.com • **Web site:** www.timken.com

Part Number 23038KEMW33, Spherical Roller Bearings - Brass Cage

Spherical bearings are designed to manage high radial loads even when misalignment, poor lubrication, contamination, extreme speeds or critical application stresses are present.



[Specifications](#) | [Dimensions](#) | [Abutment and Fillet Dimensions](#) | [Basic Load Ratings](#) | [Factors](#)

Specifications

Design Unit	Metric
d - Bore	190 mm
Bore_Taper	1/12
Cage Type	EM
Cage Material	Brass
Superseded Part	23038KYMW33

Dimensions



D - Outer Diameter

290 mm
11.4173 in

B' - Inner Ring Width	75 mm 2.9528 in
------------------------------	--------------------

B - Outer Ring Width	75 mm 2.9528 in
-----------------------------	--------------------

Abutment and Fillet Dimensions

R - Inner Ring "To Clear" Radius¹	2 mm 0.080 in
---	------------------

r - Outer Ring "To Clear" Radius²	2 mm 0.080 in
---	------------------

da - Inner Ring Backing Diameter	214.000 mm 8.400 in
---	------------------------

Da - Outer Ring Backing Diameter	270 mm 10.600 in
---	---------------------

Basic Load Ratings

C0 - Static Radial Rating	1580000 N 355000 lbf
----------------------------------	-------------------------

C1(2) - Dynamic Radial Rating (Two-Rows)	1060000 N 239000 lbf
---	-------------------------

Factors

e - ISO Factor³	0.23
-----------------------------------	------

Y0 - ISO Factor⁴	2.93
------------------------------------	------

Y1 - ISO Factor⁵	3
------------------------------------	---

Y2 - ISO Factor⁶	4.47
------------------------------------	------

Reference Thermal Speed Rating (Grease)	1600 rpm
--	----------

Reference Thermal Speed Rating (Oil)⁷	1900 rpm
---	----------

C_g - Geometry Factor⁸	0.1001
--	--------

¹ Maximum housing fillet radius that bearing corners will clear.

² Maximum shaft fillet radius that bearing corners will clear.

³ These factors apply for both inch and metric calculations. Consult your Timken representative for instruction on use.

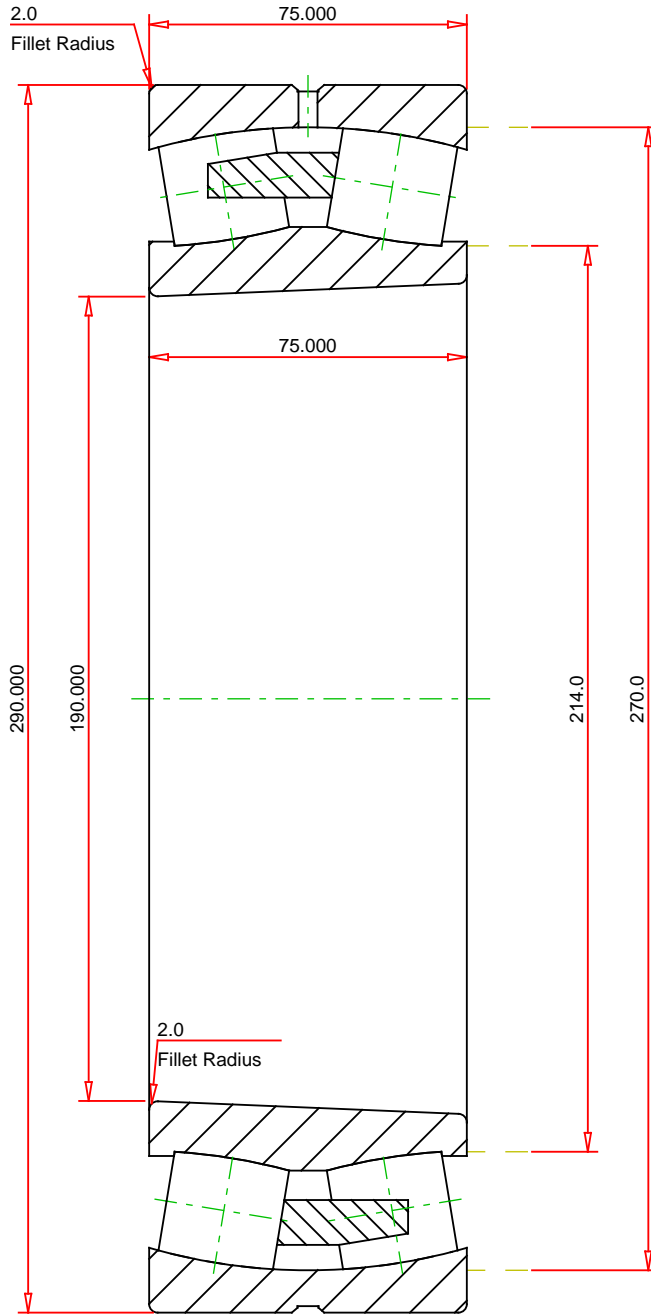
⁴ These factors apply for both inch and metric calculations. See engineering

⁵ These factors apply for both inch and metric calculations. Consult your Timken representative for instruction on use.

⁶ These factors apply for both inch and metric calculations. Consult your Timken representative for instruction on use.

⁷ See thermal speed ratings in the engineering section.

⁸ Geometry constant for Lubrication Life Adjustment Factor a_{3l}.



METRIC UNITS

Number of Rollers Per Row	25
ISO Factor e	0.23
ISO Factor Y0	2.93
ISO Factor Y1	3.00
ISO Factor Y2	4.47
Bearing Weight	17.8 kg
Cage Type	EM
Cage Material	Brass
Bore Taper	1/12

TIMKEN®

THE TIMKEN COMPANY
NORTH CANTON, OHIO USA

23038KEMW33
SRB ASSEMBLY

Dynamic Radial Rating (Two Rows)	1060000	N
Static Radial Rating	1580000	N

Every reasonable effort has been made to ensure the accuracy of the information contained in this writing, but no liability is accepted for errors, omissions or for any other reason.

FOR DISCUSSION ONLY