


The Timken Company

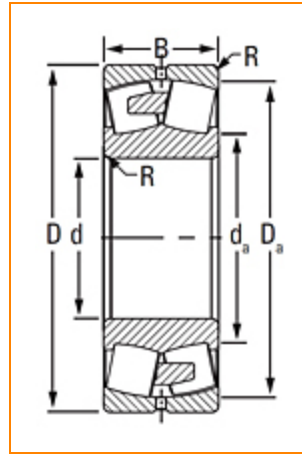
4500 Mt Pleasant St. NW

N. Canton, OH 44720

Phone: (234) 262-3000

E-Mail: CustomerCAD@timken.com • **Web site:** www.timken.com
Part Number 23134EMW33C3, Spherical Roller Bearings - Brass Cage

Spherical bearings are designed to manage high radial loads even when misalignment, poor lubrication, contamination, extreme speeds or critical application stresses are present.




[Specifications](#) | [Dimensions](#) | [Abutment and Fillet Dimensions](#) | [Basic Load Ratings](#) | [Factors](#)

Specifications

Design Unit	Metric
d - Bore	170 mm
Cage Type	EM
Cage Material	Brass
Superseded Part	23134YMW33C3

Dimensions

D - Outer Diameter	280 mm 11.0236 in
 d' - Inner Ring Width	88 mm 3.4646 in

B - Outer Ring Width	88 mm 3.4646 in
-----------------------------	--------------------

Abutment and Fillet Dimensions

R - Inner Ring "To Clear" Radius¹	2 mm 0.080 in
r - Outer Ring "To Clear" Radius²	2 mm 0.080 in
da - Inner Ring Backing Diameter	195 mm 7.7000 in
Da - Outer Ring Backing Diameter	258.000 mm 10.100 in

Basic Load Ratings

C0 - Static Radial Rating	1710000 N 384000 lbf
C1(2) - Dynamic Radial Rating (Two-Rows)	1220000 N 274000 lbf

Factors

e - ISO Factor³	0.28
Y0 - ISO Factor⁴	2.33
Y1 - ISO Factor⁵	2.39
Y2 - ISO Factor⁶	3.55
Reference Thermal Speed Rating (Grease)	1400 rpm

Reference Thermal Speed Rating (Oil)⁷	1600 rpm
---	----------

Cg - Geometry Factor⁸	0.0947
---	--------

¹ Maximum housing fillet radius that bearing corners will clear.

² Maximum shaft fillet radius that bearing corners will clear.

³ These factors apply for both inch and metric calculations. Consult your Timken representative for instruction on use.

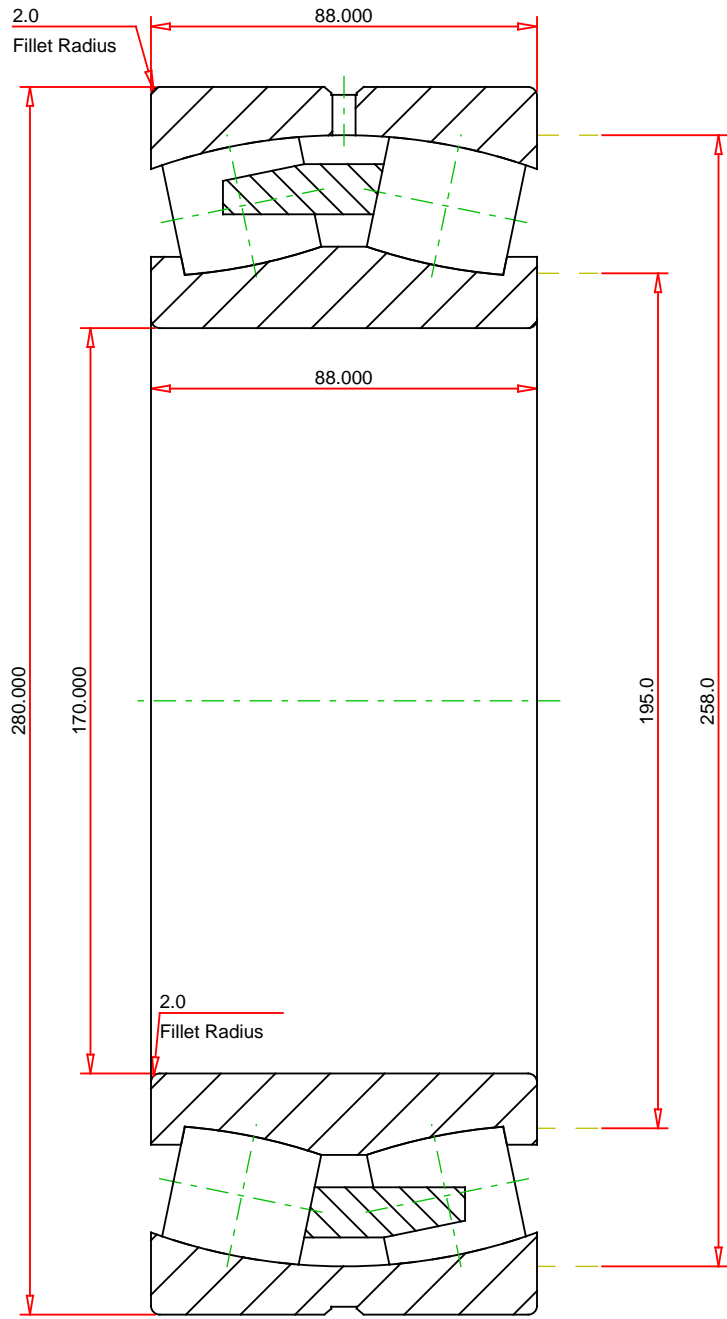
⁴ These factors apply for both inch and metric calculations. See engineering

⁵ These factors apply for both inch and metric calculations. Consult your Timken representative for instruction on use.

⁶ These factors apply for both inch and metric calculations. Consult your Timken representative for instruction on use.

⁷ See thermal speed ratings in the engineering section.

⁸ Geometry constant for Lubrication Life Adjustment Factor a3l.



METRIC UNITS

Number of Rollers Per Row	22
ISO Factor e	0.28
ISO Factor Y0	2.33
ISO Factor Y1	2.39
ISO Factor Y2	3.55
Bearing Weight	21.7 kg
Cage Type	EM
Cage Material	Brass

TIMKEN®

THE TIMKEN COMPANY
NORTH CANTON, OHIO USA

23134EMW33C3 SRB ASSEMBLY	
Dynamic Radial Rating (Two Rows)	1220000 N
Static Radial Rating	1710000 N

Every reasonable effort has been made to ensure the accuracy of the information contained in this writing, but no liability is accepted for errors, omissions or for any other reason.

FOR DISCUSSION ONLY