


The Timken Company

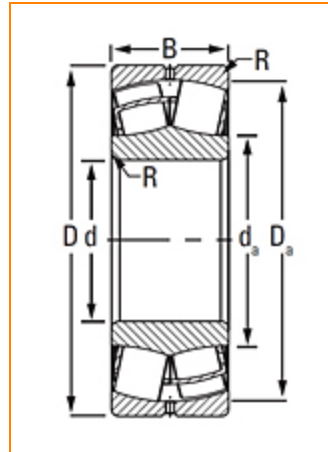
4500 Mt Pleasant St. NW

N. Canton, OH 44720

Phone: (234) 262-3000

E-Mail: CustomerCAD@timken.com • **Web site:** www.timken.com
Part Number 21305EJW33C2, Spherical Roller Bearings - Steel Cage

Spherical bearings are designed to manage high radial loads even when misalignment, poor lubrication, contamination, extreme speeds or critical application stresses are present.



[Specifications](#) | [Factors](#) | [Dimensions](#) | [Abutment and Fillet Dimensions](#) | [Basic Load Ratings](#)

Specifications

UPC Code	087796030442
Design Unit	Metric
d - Bore	25 mm
Lubrication Type	Standard Grease
Cage Type	EJ
Cage Material	Steel
Superseded Part	21305CJW33C2

Factors


e - ISO Factor¹ 0.27

Y0 - ISO Factor²	2.43
Y1 - ISO Factor³	2.48
Y2 - ISO Factor⁴	3.7
Reference Thermal Speed Rating (Grease)	8100 rpm
Reference Thermal Speed Rating (Oil)⁵	10100 rpm
Cg - Geometry Factor⁶	0.0367

Dimensions

D - Outer Diameter	62 mm 2.4409 in
B' - Inner Ring Width	17 mm 0.6693 in
B - Outer Ring Width	17 mm 0.6693 in

Abutment and Fillet Dimensions

R - Inner Ring "To Clear" Radius⁷	1 mm 0.040 in
r - Outer Ring "To Clear" Radius⁸	1 mm 0.04 in
da - Inner Ring Backing Diameter	35.000 mm 1.400 in
Da - Outer Ring Backing Diameter	55.0 mm 2.100 in

Basic Load Ratings

C0 - Static Radial Rating	55500 N 12500 lbf
C1(2) - Dynamic Radial Rating (Two-Rows)	44300 N 9970 lbf

¹ These factors apply for both inch and metric calculations. Consult your Timken representative for instruction on use.

² These factors apply for both inch and metric calculations. See engineering

³ These factors apply for both inch and metric calculations. Consult your Timken representative for instruction on use.

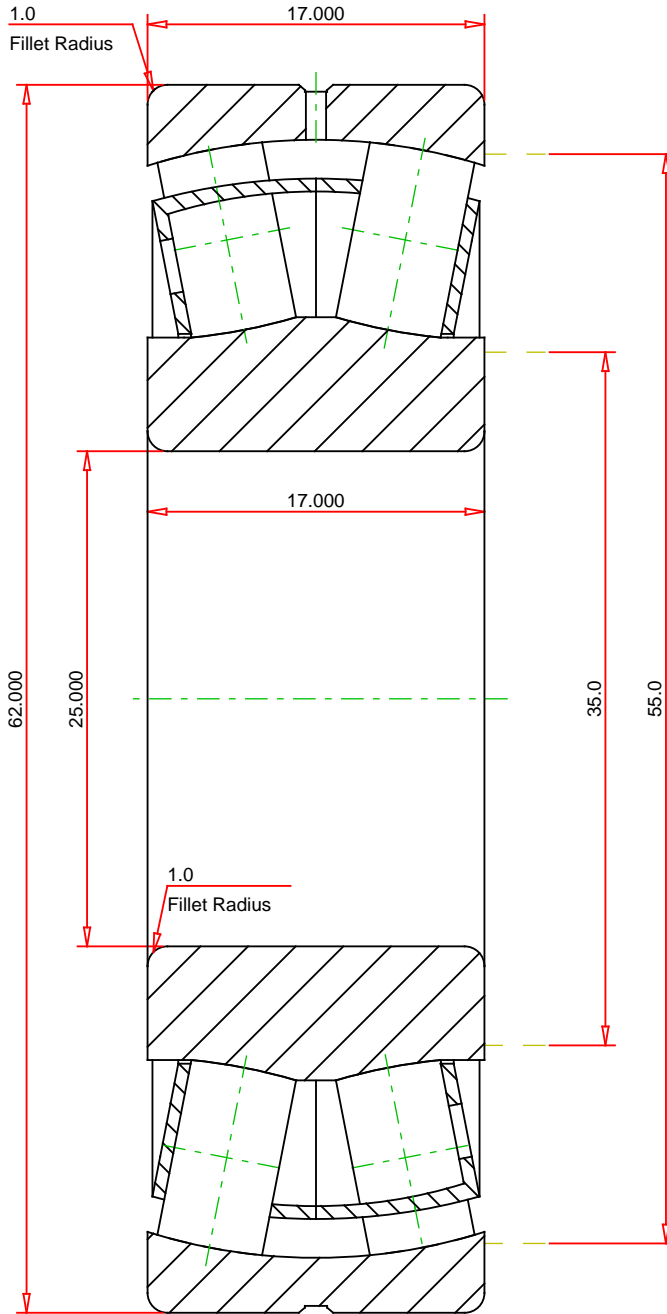
⁴ These factors apply for both inch and metric calculations. Consult your Timken representative for instruction on use.

⁵ See thermal speed ratings in the engineering section.

⁶ Geometry constant for Lubrication Life Adjustment Factor a_3 .

⁷ Maximum housing fillet radius that bearing corners will clear.

⁸ These maximum fillet radii will be cleared by the bearing corners.



METRIC UNITS

Number of Rollers Per Row	13
ISO Factor e	0.27
ISO Factor Y0	2.43
ISO Factor Y1	2.48
ISO Factor Y2	3.70
Bearing Weight	kg
Cage Type	EJ
Cage Material	Steel

TIMKEN®

THE TIMKEN COMPANY
NORTH CANTON, OHIO USA

21305EJW33C2 SRB ASSEMBLY	
Dynamic Radial Rating (Two Rows)	44300 N
Static Radial Rating	55500 N

Every reasonable effort has been made to ensure the accuracy of the information contained in this writing, but no liability is accepted for errors, omissions or for any other reason.

FOR DISCUSSION ONLY