


The Timken Company

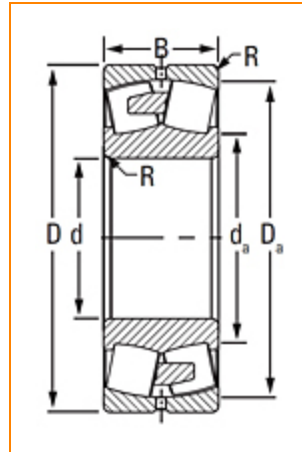
4500 Mt Pleasant St. NW

N. Canton, OH 44720

Phone: (234) 262-3000

E-Mail: CustomerCAD@timken.com • **Web site:** www.timken.com
Part Number 23044EMW33C2, Spherical Roller Bearings - Brass Cage

Spherical bearings are designed to manage high radial loads even when misalignment, poor lubrication, contamination, extreme speeds or critical application stresses are present.




[Specifications](#) | [Dimensions](#) | [Abutment and Fillet Dimensions](#) | [Basic Load Ratings](#) | [Factors](#)

Specifications

Design Unit	Metric
d - Bore	220 mm
Cage Type	EM
Cage Material	Brass
Superseded Part	23044YMW33C2

Dimensions

D - Outer Diameter	340 mm 13.3858 in
 - Inner Ring Width	90 mm 3.5433 in

B - Outer Ring Width	90 mm 3.5433 in
-----------------------------	--------------------

Abutment and Fillet Dimensions

R - Inner Ring "To Clear" Radius¹	2.5 mm 0.100 in
---	--------------------

r - Outer Ring "To Clear" Radius²	2.5 mm 0.1 in
---	------------------

da - Inner Ring Backing Diameter	247.000 mm 9.700 in
---	------------------------

Da - Outer Ring Backing Diameter	313.000 mm 12.3000 in
---	--------------------------

Basic Load Ratings

C0 - Static Radial Rating	1970000 N 443000 lbf
----------------------------------	-------------------------

C1(2) - Dynamic Radial Rating (Two-Rows)	1340000 N 300000 lbf
---	-------------------------

Factors

e - ISO Factor³	0.24
-----------------------------------	------

Y0 - ISO Factor⁴	2.71
------------------------------------	------

Y1 - ISO Factor⁵	2.77
------------------------------------	------

Y2 - ISO Factor⁶	4.13
------------------------------------	------

Reference Thermal Speed Rating (Grease)	1400 rpm
--	----------

Reference Thermal Speed Rating (Oil)⁷	1700 rpm
---	----------

Cg - Geometry Factor⁸	0.1014
---	--------

¹ Maximum housing fillet radius that bearing corners will clear.

² Maximum shaft fillet radius that bearing corners will clear.

³ These factors apply for both inch and metric calculations. Consult your Timken representative for instruction on use.

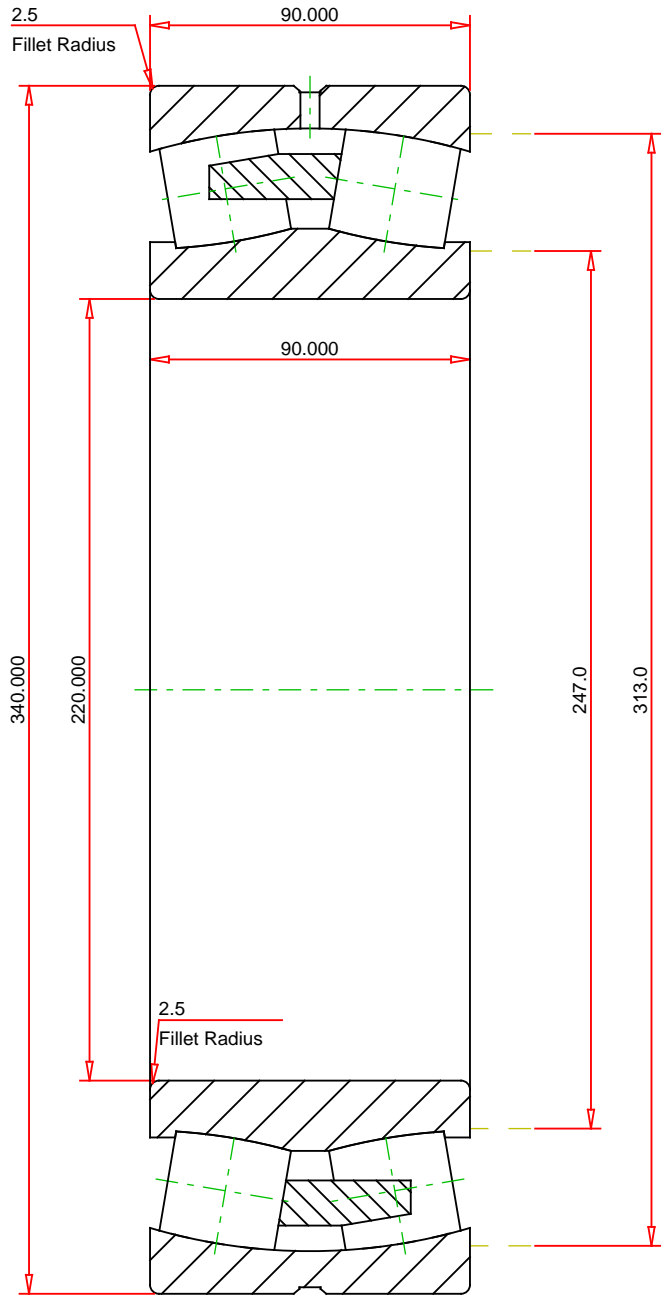
⁴ These factors apply for both inch and metric calculations. See engineering

⁵ These factors apply for both inch and metric calculations. Consult your Timken representative for instruction on use.

⁶ These factors apply for both inch and metric calculations. Consult your Timken representative for instruction on use.

⁷ See thermal speed ratings in the engineering section.

⁸ Geometry constant for Lubrication Life Adjustment Factor a3l.



METRIC UNITS

Number of Rollers Per Row	25
ISO Factor e	0.24
ISO Factor Y0	2.71
ISO Factor Y1	2.77
ISO Factor Y2	4.13
Bearing Weight	28.8 kg
Cage Type	EM
Cage Material	Brass

TIMKEN®

THE TIMKEN COMPANY
NORTH CANTON, OHIO USA

23044EMW33C2 SRB ASSEMBLY		
Dynamic Radial Rating (Two Rows)	1340000	N
Static Radial Rating	1970000	N

Every reasonable effort has been made to ensure the accuracy of the information contained in this writing, but no liability is accepted for errors, omissions or for any other reason.

FOR DISCUSSION ONLY