


The Timken Company

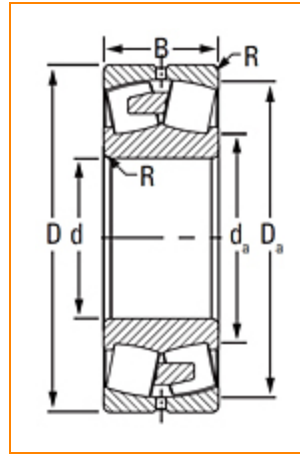
4500 Mt Pleasant St. NW

N. Canton, OH 44720

Phone: (234) 262-3000

E-Mail: CustomerCAD@timken.com • **Web site:** www.timken.com
Part Number 23264EMBW507C08, Spherical Roller Bearings - Brass Cage

Spherical bearings are designed to manage high radial loads even when misalignment, poor lubrication, contamination, extreme speeds or critical application stresses are present.




[Specifications](#) | [Dimensions](#) | [Abutment and Fillet Dimensions](#) | [Basic Load Ratings](#) | [Factors](#)

Specifications

| | |
|------------------------|-----------------|
| Design Unit | Metric |
| d - Bore | 320.000 mm |
| Cage Type | EMB |
| Cage Material | Brass |
| Superseded Part | 23264YMBW507C08 |

Dimensions

| | |
|---|----------------------|
| D - Outer Diameter | 580 mm 22.8350 in |
|  d' - Inner Ring Width | 208 mm 8.189 in |

| | |
|-----------------------------|---------------------|
| B - Outer Ring Width | 208 mm 8.1890 in |
|-----------------------------|---------------------|

Abutment and Fillet Dimensions

| | |
|---|------------------|
| R - Inner Ring "To Clear" Radius¹ | 4 mm 0.160 in |
|---|------------------|

| | |
|---|-----------------|
| r - Outer Ring "To Clear" Radius² | 4 mm 0.16 in |
|---|-----------------|

| | |
|---|--------------------------|
| da - Inner Ring Backing Diameter | 377.000 mm 14.8000 in |
|---|--------------------------|

| | |
|---|-------------------------|
| Da - Outer Ring Backing Diameter | 516.000 mm 20.300 in |
|---|-------------------------|

Basic Load Ratings

| | |
|----------------------------------|--------------------------|
| C0 - Static Radial Rating | 7090000 N 1590000 lbf |
|----------------------------------|--------------------------|

| | |
|---|--------------------------|
| C1(2) - Dynamic Radial Rating (Two-Rows) | 4770000 N 1070000 lbf |
|---|--------------------------|

Factors

| | |
|-----------------------------------|------|
| e - ISO Factor³ | 0.34 |
|-----------------------------------|------|

| | |
|------------------------------------|------|
| Y0 - ISO Factor⁴ | 1.93 |
|------------------------------------|------|

| | |
|------------------------------------|------|
| Y1 - ISO Factor⁵ | 1.98 |
|------------------------------------|------|

| | |
|------------------------------------|------|
| Y2 - ISO Factor⁶ | 2.94 |
|------------------------------------|------|

| | |
|--|---------|
| Reference Thermal Speed Rating (Grease) | 490 rpm |
|--|---------|

| | |
|---|---------|
| Reference Thermal Speed Rating (Oil)⁷ | 530 rpm |
|---|---------|

| | |
|---|--------|
| Cg - Geometry Factor⁸ | 0.1354 |
|---|--------|

¹ Maximum housing fillet radius that bearing corners will clear.

² Maximum shaft fillet radius that bearing corners will clear.

³ These factors apply for both inch and metric calculations. Consult your Timken representative for instruction on use.

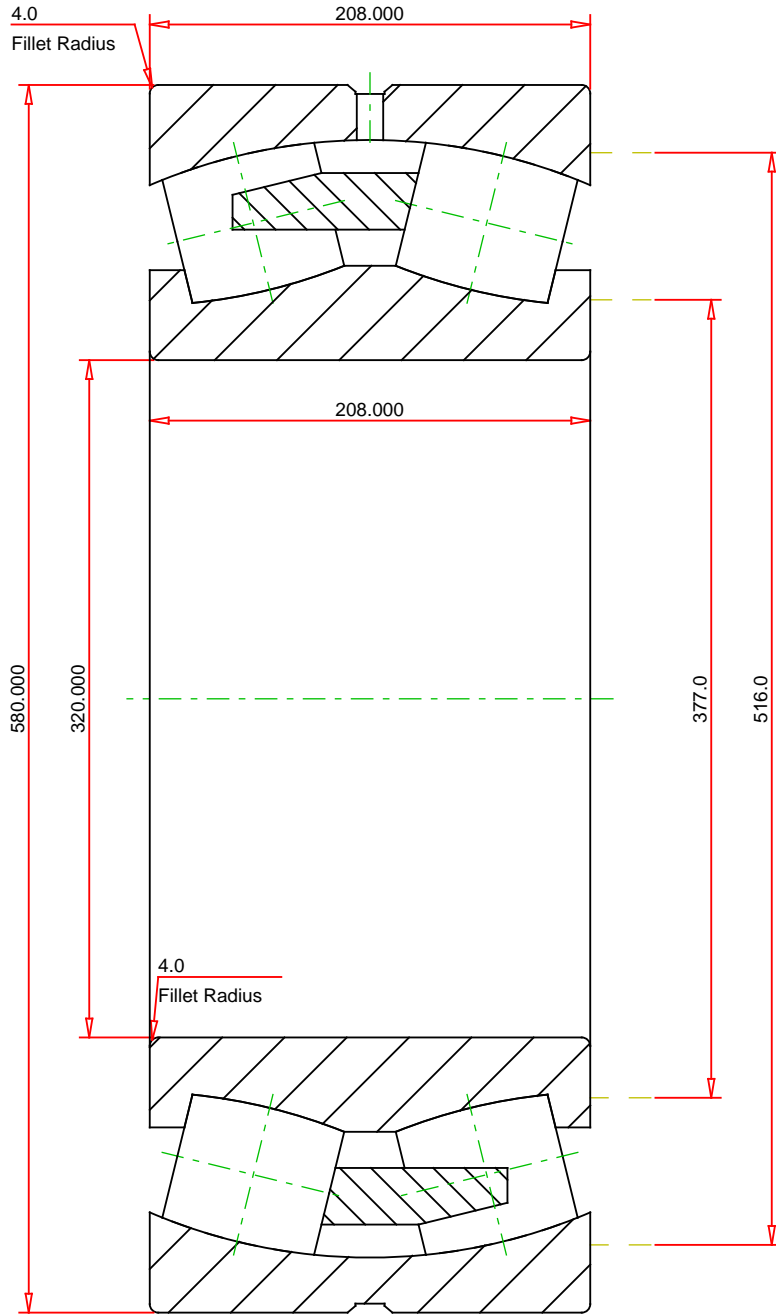
⁴ These factors apply for both inch and metric calculations. See engineering

⁵ These factors apply for both inch and metric calculations. Consult your Timken representative for instruction on use.

⁶ These factors apply for both inch and metric calculations. Consult your Timken representative for instruction on use.

⁷ See thermal speed ratings in the engineering section.

⁸ Geometry constant for Lubrication Life Adjustment Factor a3l.



METRIC UNITS

| | |
|---------------------------|----------|
| Number of Rollers Per Row | 20 |
| ISO Factor e | 0.34 |
| ISO Factor Y0 | 1.93 |
| ISO Factor Y1 | 1.98 |
| ISO Factor Y2 | 2.94 |
| Bearing Weight | 245.1 kg |
| Cage Type | EMB |
| Cage Material | Brass |

TIMKEN®

23264EMBW507C08
SRB ASSEMBLY

THE TIMKEN COMPANY
NORTH CANTON, OHIO USA

| | | |
|----------------------------------|---------|---|
| Dynamic Radial Rating (Two Rows) | 4770000 | N |
| Static Radial Rating | 7090000 | N |

Every reasonable effort has been made to ensure the accuracy of the information contained in this writing, but no liability is accepted for errors, omissions or for any other reason.

FOR DISCUSSION ONLY