



The Timken Company

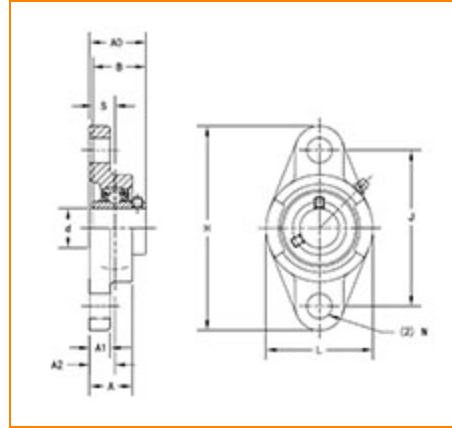
4500 Mt Pleasant St. NW

N. Canton, OH 44720

Phone: (234) 262-3000

E-Mail: CustomerCAD@timken.com • **Web site:** www.timken.com

Part Number UCFL206-20, UCFL 200 Two-Bolt Flanged Mounted Bearings - Set Screw Locking



[Specifications](#) | [Dimensions](#) | [Basic Load Ratings](#)

Specifications

Bearing Number	UC206-20
Shaft Size d	1 1/4 in
UPC Code	087796078512
Locking Style	Set Screw Locking
Housing Construction	Two-Bolt Flange

Dimensions

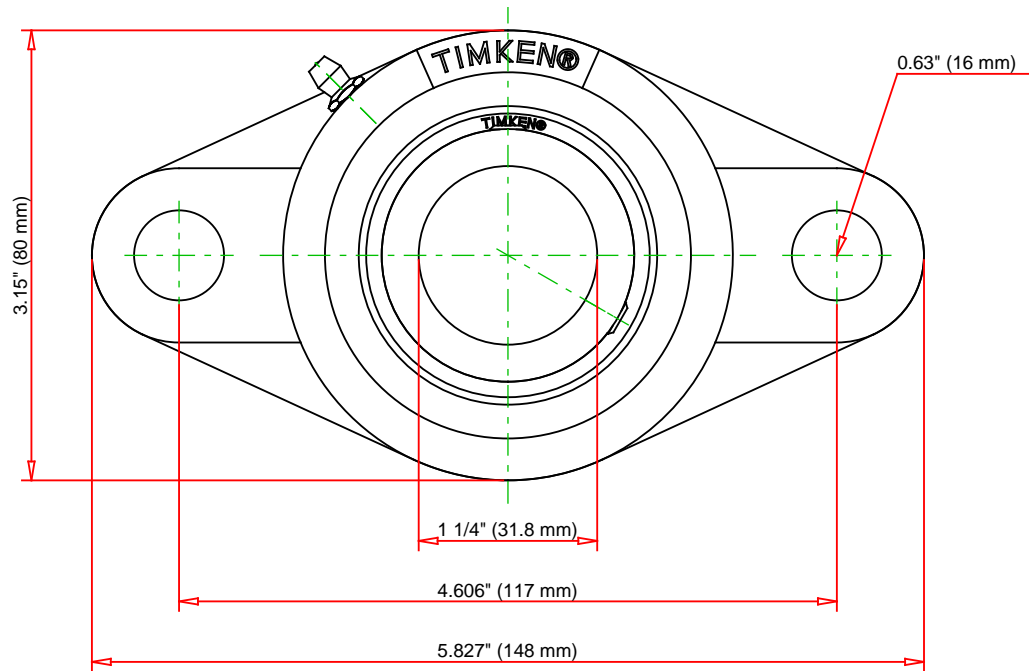
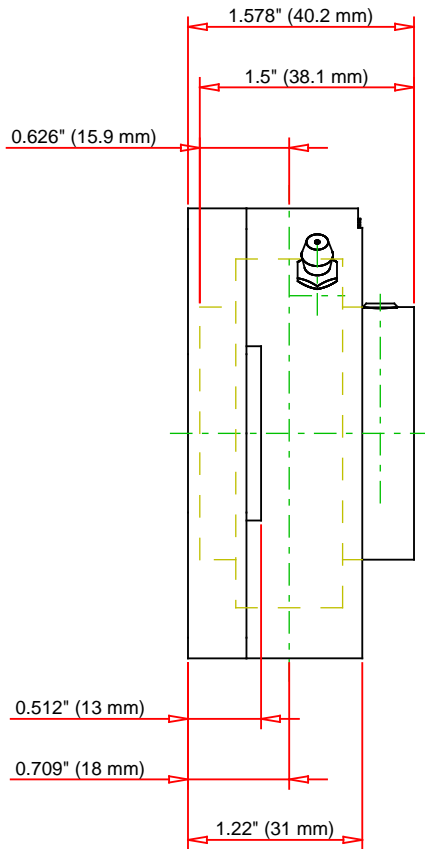
Total Length H	148 mm 5.827 in
Total Height L	80 mm 3.15 in



Housing Width A	31 mm 1.22 in
Bolt Hole Spacing J	117 mm 4.606 in
Bolt Hole Size N	16 mm 0.63 in
Flange Thickness A1	13 mm 0.512 in
Center of Bearing from Housing End A2	18 mm 0.709 in
Inner Ring Width B	38.1 mm 1.5 in
Center of Bearing from Bearing End S	15.9 mm 0.626 in
Dimension A0	40.2 mm 1.578 in
Bolt Size	M14

Basic Load Ratings

Static Load Rating	11300 N 2540 lbf
Dynamic Load Rating	19500 N 4385 lbf



Bearing Number	UC206-20			
Load Ratings - C _r	4385	lbf	19500	N
Load Ratings - C _{0r}	2540	lbf	11300	N
Weight	2.1	lb	1	kg
Bolt Size	M14			

TIMKEN

THE TIMKEN COMPANY
 NORTH CANTON, OHIO USA

UCFL206-20
 UCFL 200 Two-Bolt Flanged Mounted
 Bearings - Set Screw Locking

Every reasonable effort has been made to ensure the accuracy of the information contained in this writing, but no liability is accepted for errors, omissions or for any other reason.

FOR DISCUSSION ONLY