


The Timken Company

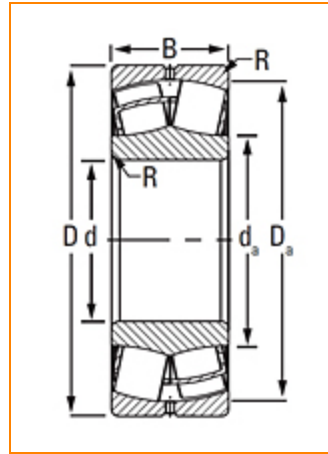
4500 Mt Pleasant St. NW

N. Canton, OH 44720

Phone: (234) 262-3000

E-Mail: CustomerCAD@timken.com • **Web site:** www.timken.com
Part Number 23248EJW507C08, Spherical Roller Bearings - Steel Cage

Spherical bearings are designed to manage high radial loads even when misalignment, poor lubrication, contamination, extreme speeds or critical application stresses are present.



[Specifications](#) | [Factors](#) | [Dimensions](#) | [Abutment and Fillet Dimensions](#) | [Basic Load Ratings](#)

Specifications

UPC Code	087796166141
Design Unit	Metric
d - Bore	240 mm
Lubrication Type	Standard Grease
Cage Type	EJ
Cage Material	Steel
Superseded Part	23248CJW507C08

Factors


e - ISO Factor¹	0.35
-----------------------------------	------

Y0 - ISO Factor²	1.88
Y1 - ISO Factor³	1.92
Y2 - ISO Factor⁴	2.86
Reference Thermal Speed Rating (Grease)	720 rpm
Reference Thermal Speed Rating (Oil)⁵	790 rpm
Cg - Geometry Factor⁶	0.1115

Dimensions

D - Outer Diameter	440 mm 17.323 in
B' - Inner Ring Width	160 mm 6.299 in
B - Outer Ring Width	160 mm 6.299 in

Abutment and Fillet Dimensions

R - Inner Ring "To Clear" Radius⁷	3 mm 0.120 in
r - Outer Ring "To Clear" Radius⁸	3 mm 0.12 in
da - Inner Ring Backing Diameter	280 mm 11.0000 in
Da - Outer Ring Backing Diameter	394.000 mm 15.500 in

Basic Load Ratings

C0 - Static Radial Rating	4160000 N 935000 lbf
C1(2) - Dynamic Radial Rating (Two-Rows)	3050000 N 685000 lbf

¹ These factors apply for both inch and metric calculations. Consult your Timken representative for instruction on use.

² These factors apply for both inch and metric calculations. See engineering

³ These factors apply for both inch and metric calculations. Consult your Timken representative for instruction on use.

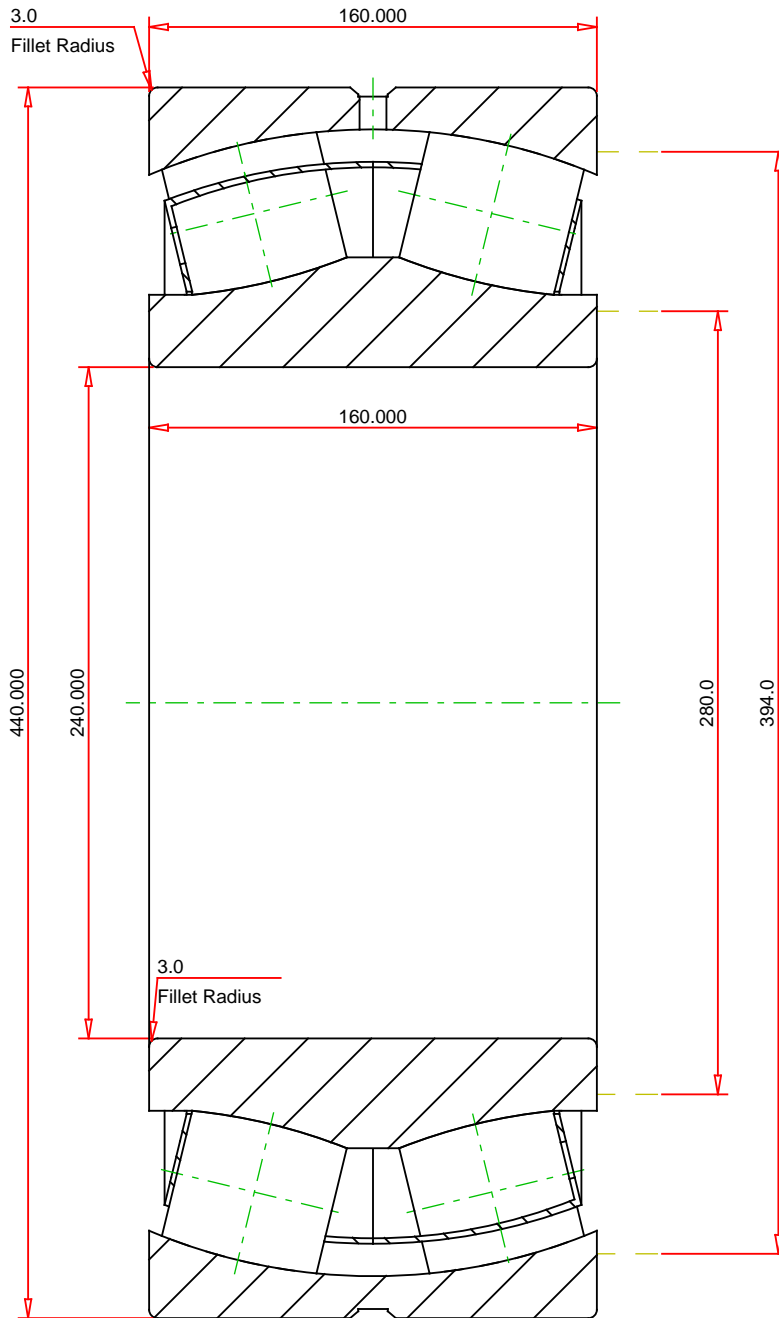
⁴ These factors apply for both inch and metric calculations. Consult your Timken representative for instruction on use.

⁵ See thermal speed ratings in the engineering section.

⁶ Geometry constant for Lubrication Life Adjustment Factor a3l.

⁷ Maximum housing fillet radius that bearing corners will clear.

⁸ These maximum fillet radii will be cleared by the bearing corners.



METRIC UNITS

Number of Rollers Per Row	18
ISO Factor e	0.35
ISO Factor Y0	1.88
ISO Factor Y1	1.92
ISO Factor Y2	2.86
Bearing Weight	kg
Cage Type	EJ
Cage Material	Steel

TIMKEN®

23248EJW507C08
SRB ASSEMBLY

THE TIMKEN COMPANY
NORTH CANTON, OHIO USA

Dynamic Radial Rating (Two Rows)	3050000	N
Static Radial Rating	4160000	N

Every reasonable effort has been made to ensure the accuracy of the information contained in this writing, but no liability is accepted for errors, omissions or for any other reason.

FOR DISCUSSION ONLY