



**The Timken Company**

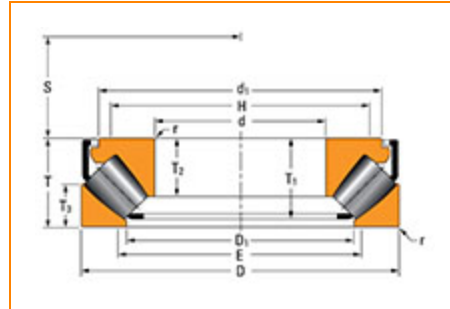
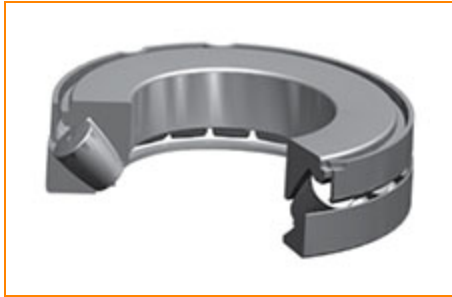
4500 Mt Pleasant St. NW

N. Canton, OH 44720

**Phone:** (234) 262-3000

**E-Mail:** [CustomerCAD@timken.com](mailto:CustomerCAD@timken.com) • **Web site:** [www.timken.com](http://www.timken.com)

## Part Number 29338EJ, Thrust Spherical Roller Bearings-Type TSR



[Specifications](#) | [Dimensions](#) | [Basic Load Ratings](#)

### Specifications

<b>d - Bore</b>	190 mm
<b>Bearing Type</b>	Thrust Spherical Roller Bearings - TSR
<b>UPC Code</b>	87796191211

### Dimensions

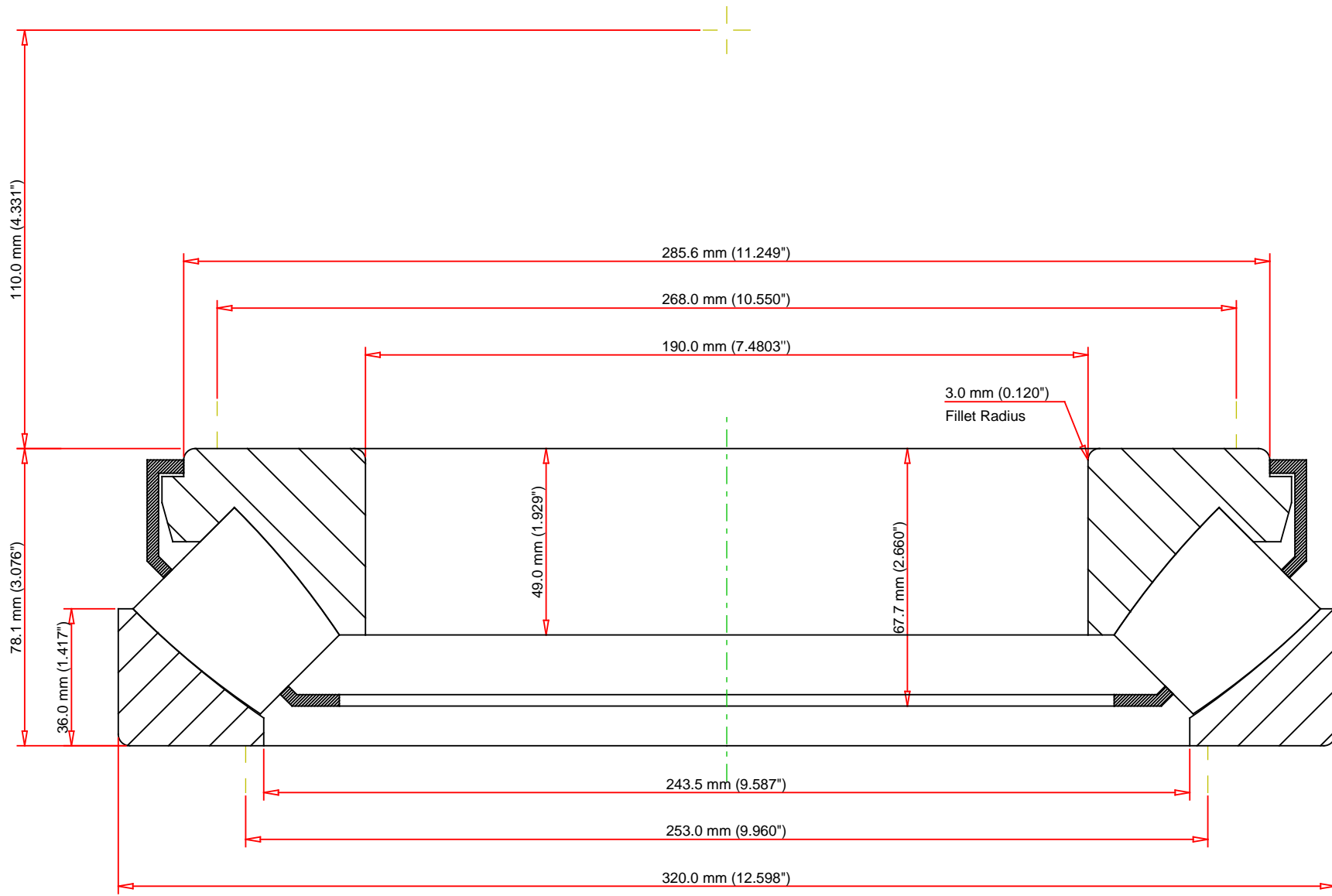
<b>D - Outside Diameter</b>	320 mm 12.598 in
<b>d1 - Cone Outside Diameter</b>	285.6 mm 11.249 in
<b>D1 - Cup Bore</b>	243.5 mm 9.587 in
<b>E - Shoulder Diameter - Housing (Max)</b>	253 mm 9.96 in
<b>D - Shoulder Diameter - Shaft (Min)</b>	268 mm 10.55 in



<b>r - Fillet Radius</b>	3 mm 0.12 in
<b>S - Dimension</b>	110 mm 4.331 in
<b>T - Total Width</b>	78.13 mm 3.076 in
<b>T1 - Cage Position</b>	67.7 mm 2.66 in
<b>T3 - Cup Width</b>	36 mm 1.417 in
<b>T4 - Cone Width</b>	49 mm 1.929 in

## Basic Load Ratings

<b>Static Load Rating</b>	4550000 N 1020000 lbf
<b>Dynamic Load Rating</b>	1620000 N 364000 lbf
<b>Thermal Speed Rating</b>	1100 rpm



METRIC UNITS

Static Load Rating - C <sub>0a</sub>	1020000	lbf	4550000	N
Dynamic Load Rating - C <sub>a</sub>	364000	lbf	1620000	N
Weight	49.6	lb	22.5	kg

**TIMKEN**<sup>®</sup>  
 THE TIMKEN COMPANY  
 NORTH CANTON, OHIO USA

**29338EJ**  
 Thrust Spherical Roller  
 Bearings-Type TSR

Every reasonable effort has been made to ensure the accuracy of the information contained in this writing, but no liability is accepted for errors, omissions or for any other reason.

**FOR DISCUSSION ONLY**