


The Timken Company

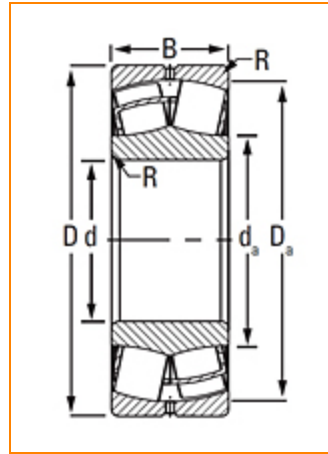
4500 Mt Pleasant St. NW

N. Canton, OH 44720

Phone: (234) 262-3000

E-Mail: CustomerCAD@timken.com • **Web site:** www.timken.com
Part Number 23164EJW507C08C4, Spherical Roller Bearings - Steel Cage

Spherical bearings are designed to manage high radial loads even when misalignment, poor lubrication, contamination, extreme speeds or critical application stresses are present.



[Specifications](#) | [Factors](#) | [Dimensions](#) | [Abutment and Fillet Dimensions](#) | [Basic Load Ratings](#)

Specifications

| | |
|-------------------------|------------------|
| UPC Code | 087796164932 |
| Design Unit | Metric |
| d - Bore | 320.000 mm |
| Lubrication Type | Standard Grease |
| Cage Type | EJ |
| Cage Material | Steel |
| Superseded Part | 23164CJW507C08C4 |

Factors


e - ISO Factor¹ 0.31

| | |
|---|---------|
| Y0 - ISO Factor² | 2.1 |
| Y1 - ISO Factor³ | 2.14 |
| Y2 - ISO Factor⁴ | 3.19 |
| Reference Thermal Speed Rating (Grease) | 620 rpm |
| Reference Thermal Speed Rating (Oil)⁵ | 690 rpm |
| Cg - Geometry Factor⁶ | 0.1313 |

Dimensions

| | |
|------------------------------|----------------------|
| D - Outer Diameter | 540 mm 21.2600 in |
| B' - Inner Ring Width | 176 mm 6.929 in |
| B - Outer Ring Width | 176 mm 6.9290 in |

Abutment and Fillet Dimensions

| | |
|---|-------------------------|
| R - Inner Ring "To Clear" Radius⁷ | 4 mm 0.160 in |
| r - Outer Ring "To Clear" Radius⁸ | 4 mm 0.16 in |
| da - Inner Ring Backing Diameter | 364.000 mm 14.300 in |
| Da - Outer Ring Backing Diameter | 490 mm 19.3000 in |

Basic Load Ratings

| | |
|---|--------------------------|
| C0 - Static Radial Rating | 5950000 N 1340000 lbf |
| C1(2) - Dynamic Radial Rating (Two-Rows) | 3990000 N 898000 lbf |

¹ These factors apply for both inch and metric calculations. Consult your Timken representative for instruction on use.

² These factors apply for both inch and metric calculations. See engineering

³ These factors apply for both inch and metric calculations. Consult your Timken representative for instruction on use.

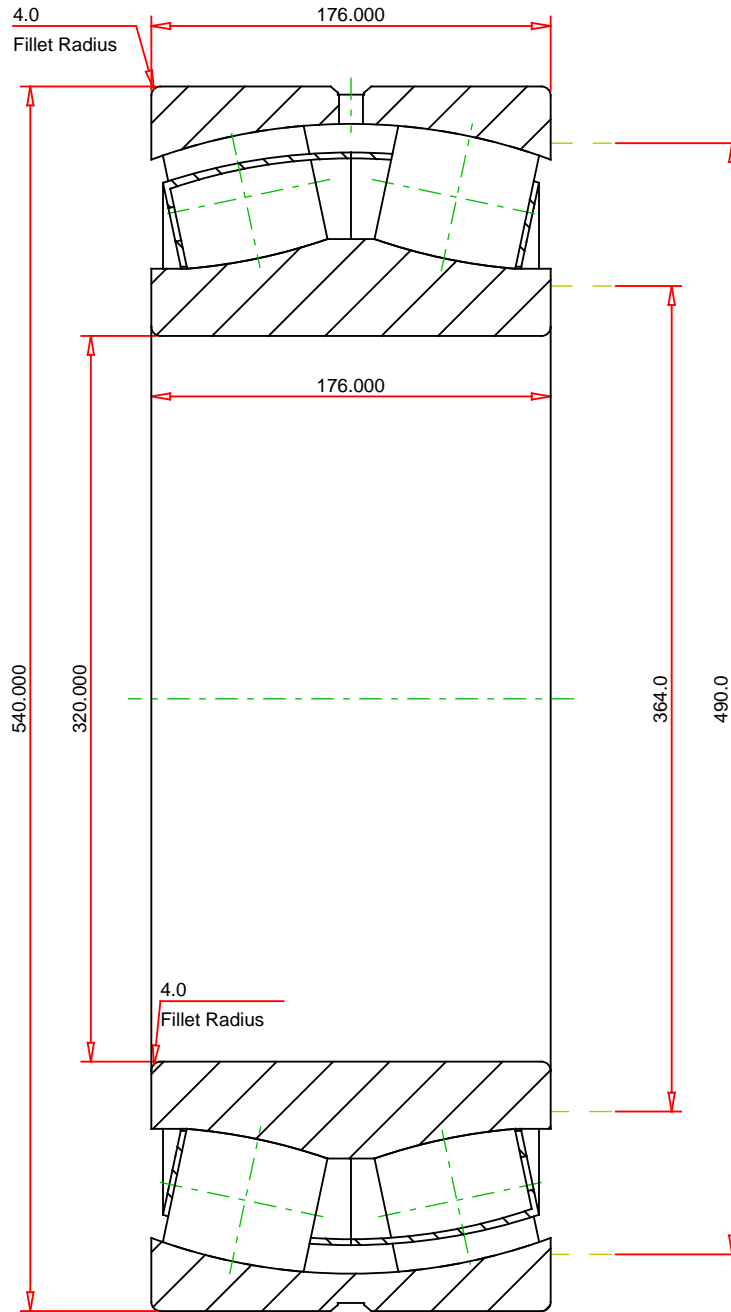
⁴ These factors apply for both inch and metric calculations. Consult your Timken representative for instruction on use.

⁵ See thermal speed ratings in the engineering section.

⁶ Geometry constant for Lubrication Life Adjustment Factor a3l.

⁷ Maximum housing fillet radius that bearing corners will clear.

⁸ These maximum fillet radii will be cleared by the bearing corners.



METRIC UNITS

| | |
|---------------------------|-------|
| Number of Rollers Per Row | 21 |
| ISO Factor e | 0.31 |
| ISO Factor Y0 | 2.10 |
| ISO Factor Y1 | 2.14 |
| ISO Factor Y2 | 3.19 |
| Bearing Weight | kg |
| Cage Type | EJ |
| Cage Material | Steel |

TIMKEN®

THE TIMKEN COMPANY
NORTH CANTON, OHIO USA

| | |
|---|-----------|
| 23164EJW507C08C4 SRB ASSEMBLY | |
| Dynamic Radial Rating (Two Rows) | 3990000 N |
| Static Radial Rating | 5950000 N |

Every reasonable effort has been made to ensure the accuracy of the information contained in this writing, but no liability is accepted for errors, omissions or for any other reason.

FOR DISCUSSION ONLY