



The Timken Company

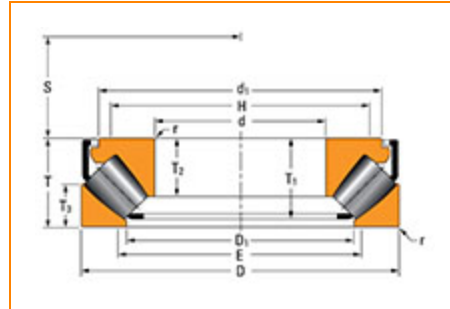
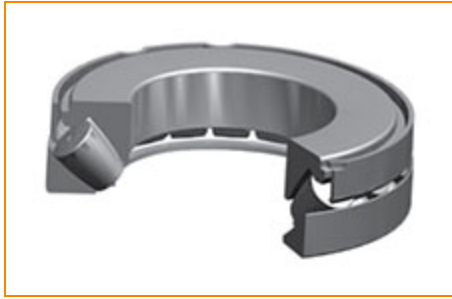
4500 Mt Pleasant St. NW

N. Canton, OH 44720

Phone: (234) 262-3000

E-Mail: CustomerCAD@timken.com • **Web site:** www.timken.com

Part Number 29426EJ, Thrust Spherical Roller Bearings-Type TSR



[Specifications](#) | [Dimensions](#) | [Basic Load Ratings](#)

Specifications

d - Bore	130 mm
Bearing Type	Thrust Spherical Roller Bearings - TSR
UPC Code	87796224629

Dimensions

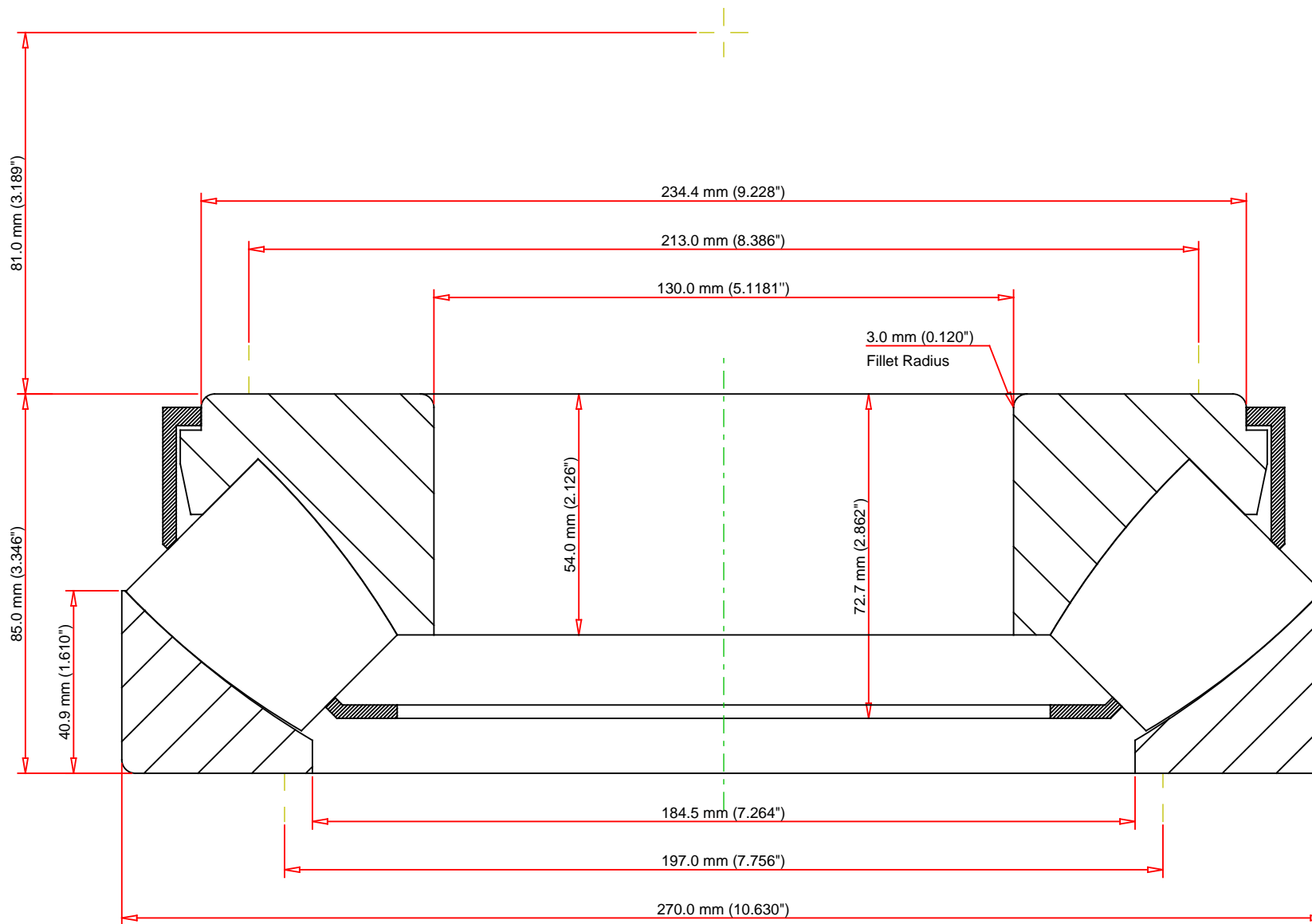
D - Outside Diameter	270 mm 10.63 in
d1 - Cone Outside Diameter	234.4 mm 9.228 in
D1 - Cup Bore	184.5 mm 7.264 in
E - Shoulder Diameter - Housing (Max)	197 mm 7.756 in
D - Shoulder Diameter - Shaft (Min)	213 mm 8.386 in



r - Fillet Radius	3 mm 0.12 in
S - Dimension	81 mm 3.189 in
T - Total Width	85 mm 3.346 in
T1 - Cage Position	72.7 mm 2.862 in
T3 - Cup Width	40.9 mm 1.61 in
T4 - Cone Width	54 mm 2.126 in

Basic Load Ratings

Static Load Rating	3870000 N 871000 lbf
Dynamic Load Rating	1600000 N 359000 lbf
Thermal Speed Rating	1400 rpm



METRIC UNITS

Static Load Rating - C_{0a}	871000	lbf	3870000	N
Dynamic Load Rating - C_a	359000	lbf	1600000	N
Weight	46	lb	20.9	kg

TIMKEN

THE TIMKEN COMPANY
NORTH CANTON, OHIO USA

29426EJ

Thrust Spherical Roller
Bearings-Type TSR

Every reasonable effort has been made to ensure the accuracy of the information contained in this writing, but no liability is accepted for errors, omissions or for any other reason.

FOR DISCUSSION ONLY