



The Timken Company

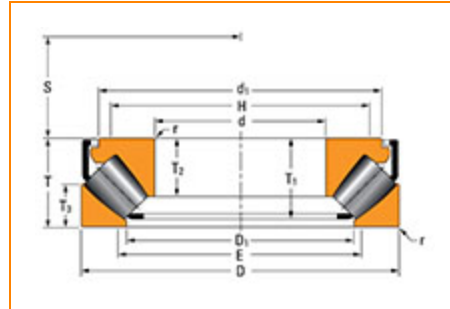
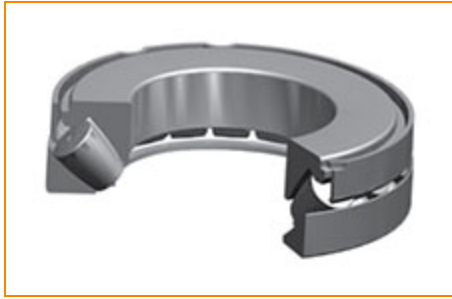
4500 Mt Pleasant St. NW

N. Canton, OH 44720

Phone: (234) 262-3000

E-Mail: CustomerCAD@timken.com • **Web site:** www.timken.com

Part Number 29328EJ, Thrust Spherical Roller Bearings-Type TSR



[Specifications](#) | [Dimensions](#) | [Basic Load Ratings](#)

Specifications

| | |
|---------------------|--|
| d - Bore | 140 mm |
| Bearing Type | Thrust Spherical Roller Bearings - TSR |
| UPC Code | 87796358133 |

Dimensions

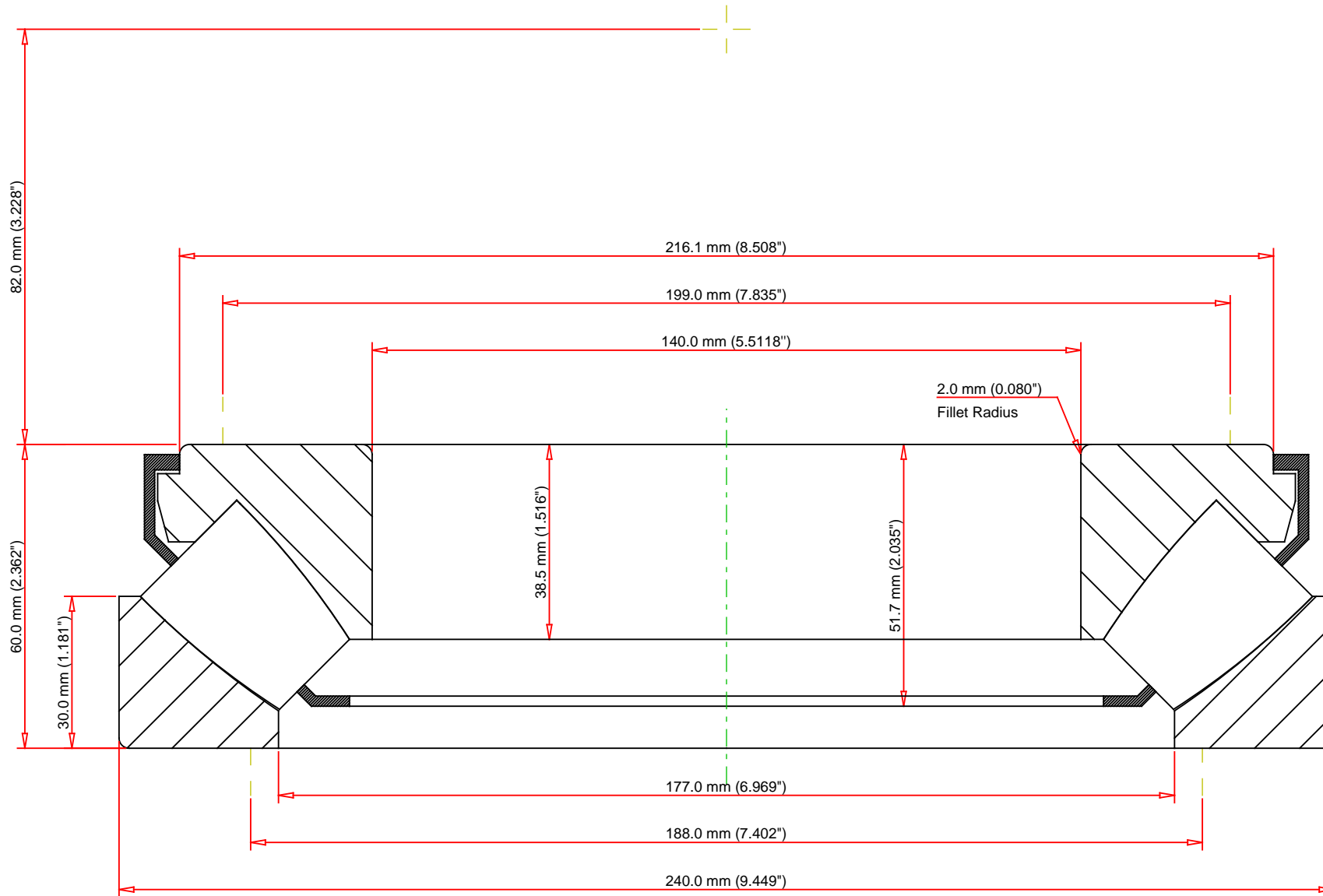
| | |
|--|----------------------|
| D - Outside Diameter | 240 mm 9.449 in |
| d1 - Cone Outside Diameter | 216.1 mm 8.508 in |
| D1 - Cup Bore | 177 mm 6.969 in |
| E - Shoulder Diameter - Housing (Max) | 188 mm 7.402 in |
| F - Shoulder Diameter - Shaft (Min) | 199 mm 7.835 in |



| | |
|---------------------------|---------------------|
| r - Fillet Radius | 2 mm 0.080 in |
| S - Dimension | 82 mm 3.228 in |
| T - Total Width | 60 mm 2.362 in |
| T1 - Cage Position | 51.7 mm 2.035 in |
| T3 - Cup Width | 30 mm 1.181 in |
| T4 - Cone Width | 38.5 mm 1.516 in |

Basic Load Ratings

| | |
|-----------------------------|-------------------------|
| Static Load Rating | 2710000 N 609000 lbf |
| Dynamic Load Rating | 970000 N 218000 lbf |
| Thermal Speed Rating | 1500 rpm |



METRIC UNITS

| | | | | |
|-------------------------------|--------|-----|---------|----|
| Static Load Rating - C_{0a} | 609000 | lbf | 2710000 | N |
| Dynamic Load Rating - C_a | 218000 | lbf | 970000 | N |
| Weight | 22.5 | lb | 10.2 | kg |
| | | | | |
| | | | | |

TIMKEN

THE TIMKEN COMPANY
NORTH CANTON, OHIO USA

29328EJ

Thrust Spherical Roller
Bearings-Type TSR

Every reasonable effort has been made to ensure the accuracy of the information contained in this writing, but no liability is accepted for errors, omissions or for any other reason.

FOR DISCUSSION ONLY