


The Timken Company

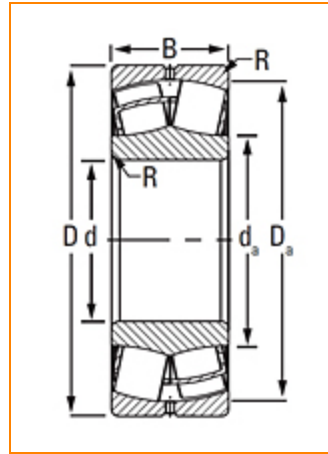
4500 Mt Pleasant St. NW

N. Canton, OH 44720

Phone: (234) 262-3000

E-Mail: CustomerCAD@timken.com • **Web site:** www.timken.com
Part Number 23264EJW507C08, Spherical Roller Bearings - Steel Cage

Spherical bearings are designed to manage high radial loads even when misalignment, poor lubrication, contamination, extreme speeds or critical application stresses are present.



[Specifications](#) | [Factors](#) | [Dimensions](#) | [Abutment and Fillet Dimensions](#) | [Basic Load Ratings](#)

Specifications

UPC Code	087796165625
Design Unit	Metric
d - Bore	320.000 mm
Lubrication Type	Standard Grease
Cage Type	EJ
Cage Material	Steel
Superseded Part	23264CJW507C08

Factors


e - ISO Factor¹ 0.34

Y0 - ISO Factor²	1.93
Y1 - ISO Factor³	1.98
Y2 - ISO Factor⁴	2.94
Reference Thermal Speed Rating (Grease)	490 rpm
Reference Thermal Speed Rating (Oil)⁵	530 rpm
Cg - Geometry Factor⁶	0.1354

Dimensions

D - Outer Diameter	580 mm 22.8350 in
B' - Inner Ring Width	208 mm 8.189 in
B - Outer Ring Width	208 mm 8.1890 in

Abutment and Fillet Dimensions

R - Inner Ring "To Clear" Radius⁷	4 mm 0.160 in
r - Outer Ring "To Clear" Radius⁸	4 mm 0.16 in
da - Inner Ring Backing Diameter	377.000 mm 14.8000 in
Da - Outer Ring Backing Diameter	516.000 mm 20.300 in

Basic Load Ratings

C0 - Static Radial Rating	7090000 N 1590000 lbf
C1(2) - Dynamic Radial Rating (Two-Rows)	4770000 N 1070000 lbf

¹ These factors apply for both inch and metric calculations. Consult your Timken representative for instruction on use.

² These factors apply for both inch and metric calculations. See engineering

³ These factors apply for both inch and metric calculations. Consult your Timken representative for instruction on use.

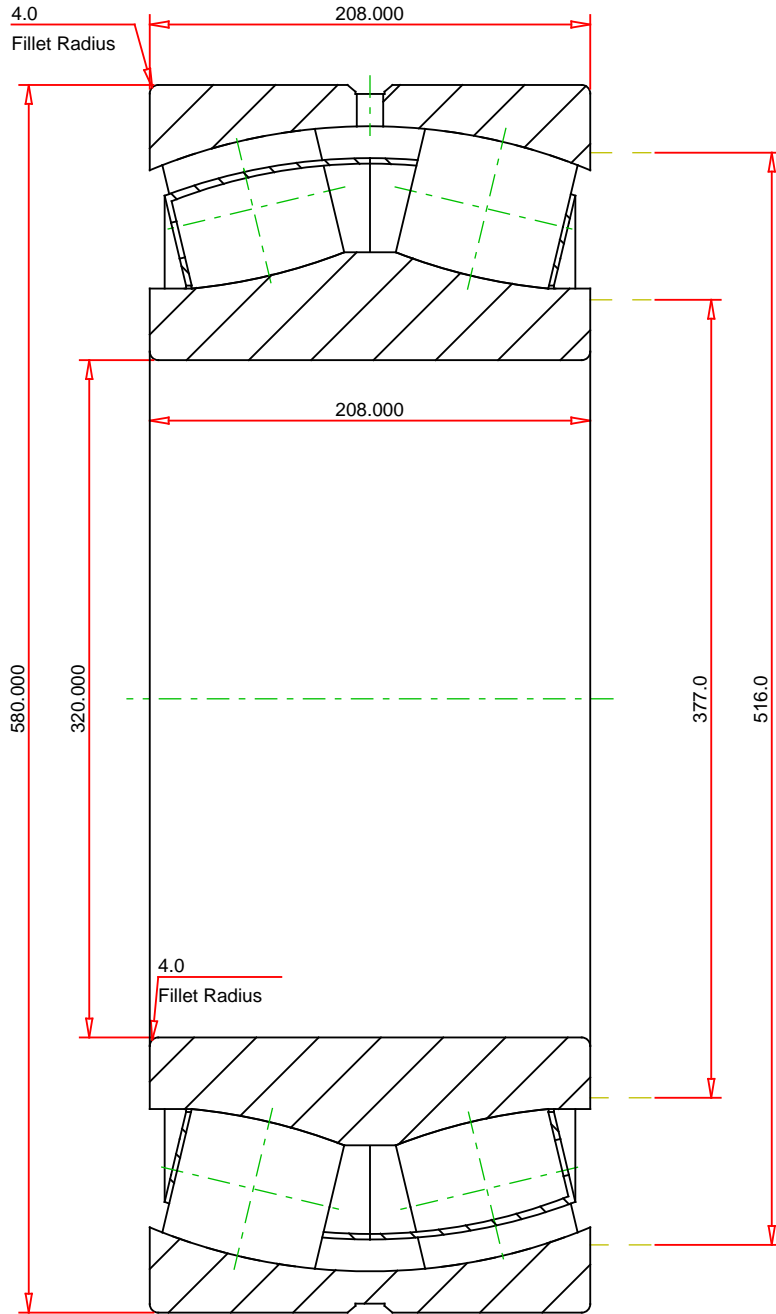
⁴ These factors apply for both inch and metric calculations. Consult your Timken representative for instruction on use.

⁵ See thermal speed ratings in the engineering section.

⁶ Geometry constant for Lubrication Life Adjustment Factor a3l.

⁷ Maximum housing fillet radius that bearing corners will clear.

⁸ These maximum fillet radii will be cleared by the bearing corners.



METRIC UNITS

Number of Rollers Per Row	20
ISO Factor e	0.34
ISO Factor Y0	1.93
ISO Factor Y1	1.98
ISO Factor Y2	2.94
Bearing Weight	kg
Cage Type	EJ
Cage Material	Steel

TIMKEN®

23264EJW507C08
SRB ASSEMBLY

THE TIMKEN COMPANY
NORTH CANTON, OHIO USA

Dynamic Radial Rating (Two Rows)	4770000	N
Static Radial Rating	7090000	N

Every reasonable effort has been made to ensure the accuracy of the information contained in this writing, but no liability is accepted for errors, omissions or for any other reason.

FOR DISCUSSION ONLY