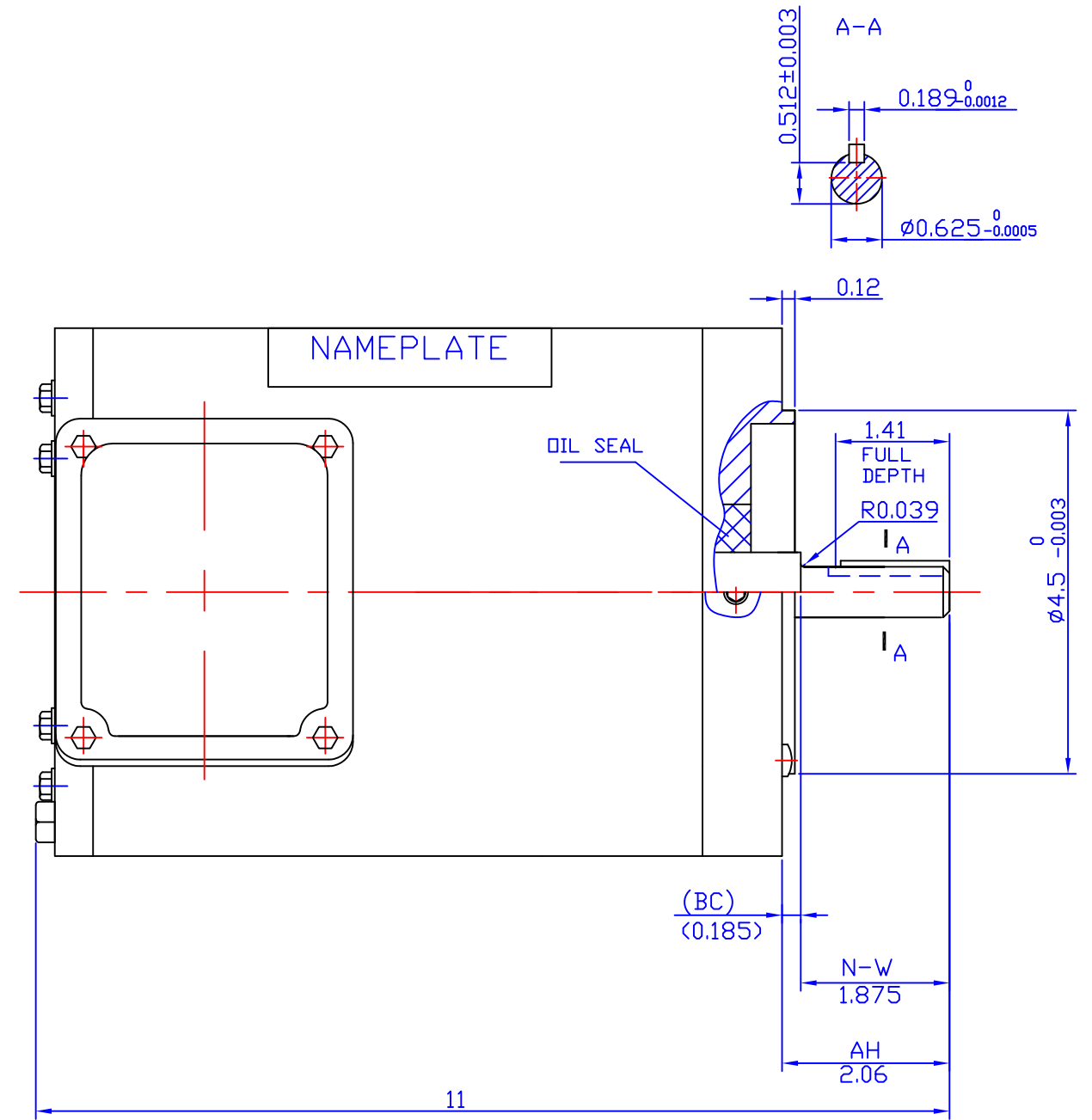
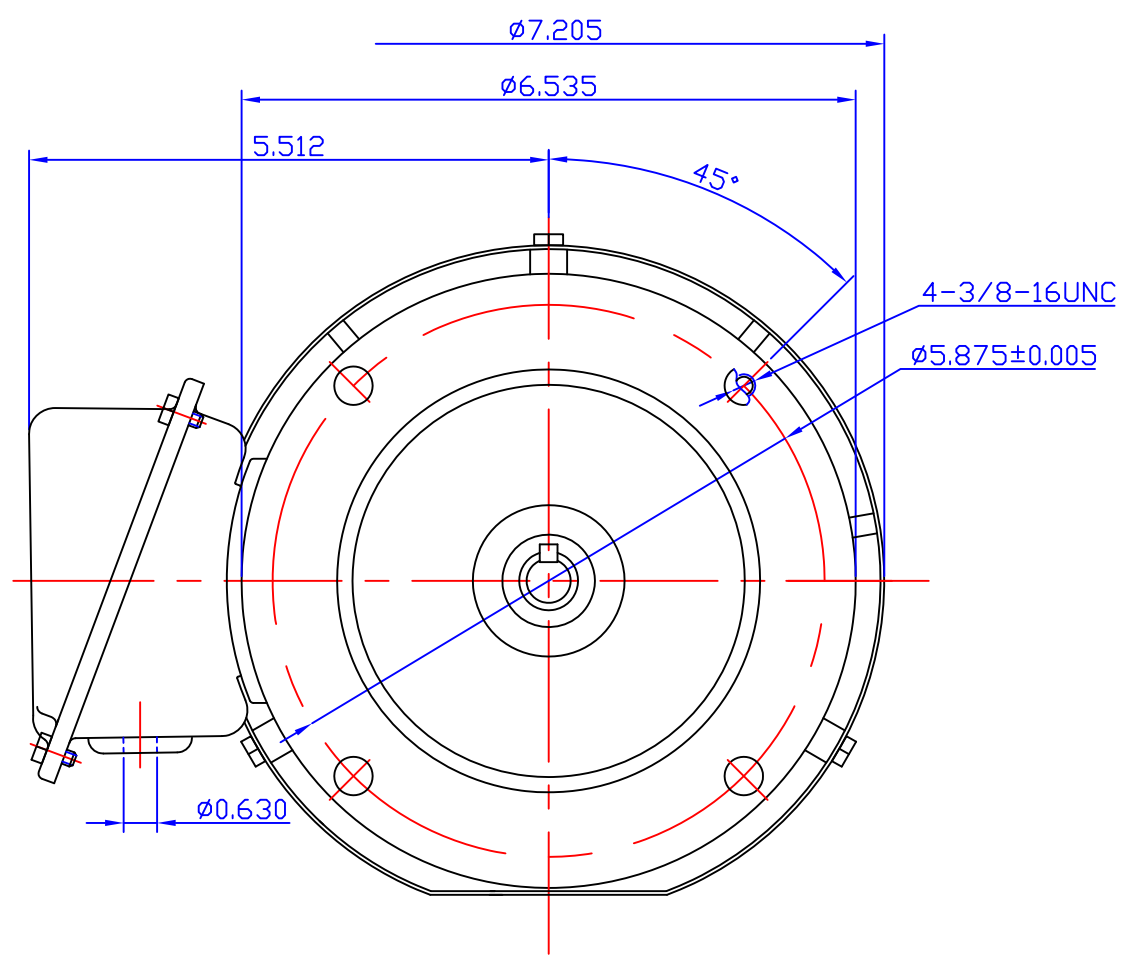


REV	ECO	REV BY	DATE	APPD	DATE
	Uncontrolled Copy				



DR BY:	
APPD:	
FIRST ANGLE PROJECTION	EDS DATE VERSION
CONFIDENTIAL: THIS DRAWING AND ITS INFORMATION ARE THE EXCLUSIVE AND CONFIDENTIAL PROPERTY OF REGAL BELOIT CORPORATION AND ARE NOT TO BE DISCLOSED, DUPLICATED, DISTRIBUTED OR OTHERWISE USED WITHOUT THE WRITTEN CONSENT OF REGAL BELOIT CORPORATION	
-ALL RIGHTS RESERVED.	

REGAL REGAL-BELOIT CORPORATION	
DESCRIPTION MOTOR OUTLINE	
SIZE A3	DWG NO 039076
SCALE	SHEET