

# PRODUCT INFORMATION PACKET



Model No: 191575.00  
Catalog No: 191575.00  
1 HP Washdown Motor, 3 phase, 1800 RPM, 208-230/460 V, 56C Frame, TENV  
Paint Free NEMA Washdown Motors



Regal and Leeson are trademarks of Regal Beloit Corporation or one of its affiliated companies.  
©2019 Regal Beloit Corporation, All Rights Reserved. MC017097E

The Regal logo is located in the bottom right corner. It features the word "REGAL" in a white, sans-serif font, set against a dark grey, trapezoidal background. The background of the entire page on the right side is a blue gradient with a halftone dot pattern.



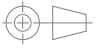
**Nameplate Specifications**

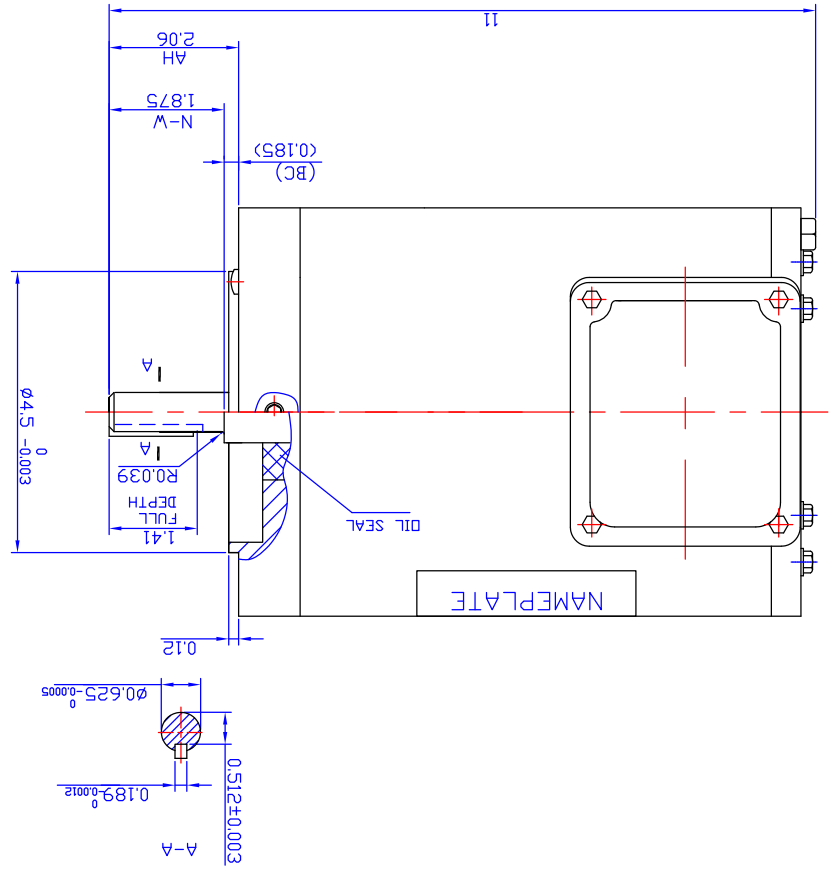
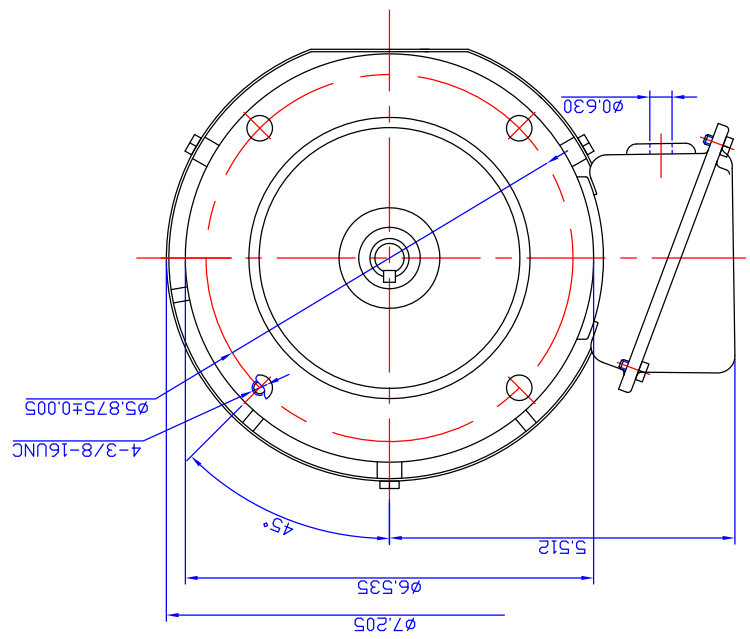
Output HP	1 Hp	Output KW	0.75 kW
Frequency	60 Hz	Voltage	208-230/460 V
Current	3.0/1.5 A	Speed	1750 rpm
Service Factor	1.15	Phase	3
Efficiency	85.5 %	Power Factor	71.5
Duty	Continuous	Insulation Class	F
Design Code	B	KVA Code	N
Frame	56C	Enclosure	Totally Enclosed Non Ventilated
Thermal Protection	No	Ambient Temperature	40 °C
Drive End Bearing Size	6205	Opp Drive End Bearing Size	6205
UL	Recognized	CSA	Y
CE	Y	IP Code	55

**Technical Specifications**

Electrical Type	Squirrel Cage Induction Run	Starting Method	Across The Line
Poles	4	Rotation	Reversible
Resistance Main	0 Ohms	Mounting	Round
Motor Orientation	Horizontal	Drive End Bearing	Ball
Opp Drive End Bearing	Ball	Frame Material	Stainless Steel
Shaft Type	NEMA 56	Overall Length	11.00 in
Shaft Diameter	0.625 in	Shaft Extension	2.06 in
Assembly/Box Mounting	F1 Only		

This is an uncontrolled document once printed or downloaded and is subject to change without notice. Date Created:01/11/2019

DR BY:		APPD:	
DESCRIPTION		FIRST ANGLE PROJECTION	
REGAL BELLOIT CORPORATION			
MOTOR OUTLINE		CONFIDENTIAL: THIS DRAWING AND ITS INFORMATION ARE THE EXCLUSIVE AND CONFIDENTIAL PROPERTY OF REGAL BELLOIT CORPORATION AND ARE NOT TO BE DISCLOSED, DUPLICATED, DISTRIBUTED OR OTHERWISE USED WITHOUT THE WRITTEN CONSENT OF REGAL BELLOIT CORPORATION -ALL RIGHTS RESERVED.	
SCALE	SIZE	EDS DATE	VERSION
A3	A3		
DWG NO	039076	SHEET	



REV	FCO	uncontrolled Copy
REV BY	DATE	APPD
DATE	DATE	DATE