

**LISTEN.
THINK.
SOLVE.SM**

MICROLOGIX PROGRAMMABLE CONTROLLERS

SELECTION GUIDE



**BULLETIN 1763 -
MicroLogix 1100**

**BULLETIN 1762 -
MicroLogix 1200**

**BULLETIN 1766 -
MicroLogix 1400**



MicroLogix Programmable Controllers Overview

The MicroLogix family of controllers provides five levels of control. Small on size, big on performance, the MicroLogix controller offers control capabilities in an affordable, compact package. The MicroLogix 1100 and MicroLogix 1200 controllers are small enough to fit in tight spaces, but powerful enough to accommodate a broad range of applications. The MicroLogix 1400 controllers further enhance the MicroLogix family by expanding the application coverage area while offering great new features at an affordable price.

MicroLogix 1100 Controller



The MicroLogix 1100 controller is designed to broaden application coverage through embedded analog inputs, Ethernet communication, and visualization capabilities. MicroLogix 1100 controllers maintain the same critical features you have come to expect from the MicroLogix family, and expand that capability to include true online editing. MicroLogix 1100 controllers complement our low-end controllers for applications that require up to 144 digital I/O.

Each MicroLogix 1100 controller contains 2 embedded analog inputs, with 10 digital inputs and 6 digital outputs. The controller can also expand its I/O capabilities by using the same modules as the MicroLogix 1200 controller. Up to four of the 1762 I/O modules can be used with a single MicroLogix 1100 controller.

Using the latest version of our world-class RSLogix 500 programming software, the MicroLogix 1100 controller can be programmed with an instruction set that is common with the MicroLogix and SLC 500 families of controllers. RSLogix 500 Starter, Standard, and Professional applications all support the MicroLogix 1100 controller, including its online editing capabilities. In addition, the new RSLogix Micro Starter and Developer software provide MicroLogix only programming at a lower cost.

Each controller supports a built-in RS-232/RS-485 combo port for serial and networked communication and a second built-in EtherNet/IP port, which supports Ethernet peer-to-peer messaging.

An embedded LCD screen lets you monitor controller and I/O status, as well as make changes to bit and integer data.

Advantages for the MicroLogix 1100 Controllers

- Large 8 KB memory (4 KB user program with 4 KB user data) to solve a variety of applications.
- True online editing allows tuning of program, including PID, without going offline.
- Support for MicroLogix 1100 controller online editing in all current versions of RSLogix 500 and RSLogix Micro Starter and Developer software.
- Mode switch for Run/Remote/Program.
- Time-based or event-triggered data logging capability stores controller data records with optional time stamp in a separate 128 Kbyte memory area for later analysis (for example, trending and I/O status during alarm condition data).
- Recipe storage (up to 64 KB that is deducted from Data Logging memory) that is accessible by your ladder program, enabling quick and easy batch changes of program data for timers, counters, and other data types.
- High performance expansion I/O options (up to four 1762 I/O modules, in any combination).
- Four high-speed inputs (except 1763-L16AWA controller) that can be used individually as latching (pulse-catch) inputs, event interrupts, or alternately combined as one 40 kHz high-speed counter featuring 8 modes of operation.
- Two built-in 0...10V DC analog inputs with 10-bit resolution (not isolated).

- Two high-speed outputs that can be configured as 40 kHz pulse train output (PTO) or as pulse width modulated (PWM) outputs (catalog number 1763-L16BBB only).
- Multiple input commons let you use the controller for either sinking or sourcing input devices, and multiple output commons provide individual isolation in multi-voltage output applications.
- One, 1 ms, selectable timed interrupt (STI).
- High-resolution, 1 ms timers.
- Communication Channel 0 provides isolated RS-232 or RS-485 electrical compatibility (selectable through the choice of communication cables).
- Through RS-232, we support all serial protocols.
- Through RS-485, we support direct interface to DH-485, DF1 half-duplex master/slave, ASCII, and Modbus RTU master/slave networks (without an external electrical interface converter).
- Communication Channel 1 consists of an embedded RJ45 port that supports EtherNet/IP network for peer-to-peer messaging. This 10/100 Mbps port supports BOOTP and DHCP.
- Communication toggle selection that allows the controller's Channel 0 port to toggle between user-configured communication parameters and factory default settings for an easy way to switch from Modbus RTU or ASCII protocols (which do not support programming) to DF1 full-duplex (to upload/download, monitor, or edit your program). So a programming computer is able to connect to a controller with an unknown or incorrect communication-parameter settings for troubleshooting.
- Embedded real-time clock.
- Embedded web server with email functionality.
- Optional memory module for external program backup, for program transport, and transfer to another controller. Program and data in the controller is also battery backed for secure storage.
- Data file download protection prevents critical user data from being altered via program downloads from programming computers or memory modules.
- Built-in LCD provides access to 48 bits and 48 integers that can be changed, or optionally protected, for monitor only access by an operator.
- LCD instruction allows the controller to output messages to the LCD, and optionally receive user input.
- IP address can be monitored directly through the built-in LCD.
- Two built-in digital trim potentiometers.
- 32-bit signed integer math.
- Floating-point and double-integer data file support.
- Built-in PID capabilities.
- Finger-safe terminal blocks meet global safety standards.
- Regulatory agency certifications for world-wide market (CE, EAC, RCM, UL, and c-UL, including Class 1 Division 2 Hazardous Location).

MicroLogix 1200 Controller



The MicroLogix 1200 controller provides more computing power and flexibility than the MicroLogix 1000 controller to solve a variety of application needs.

Available in 24- and 40-point versions, the I/O count can be expanded by using rackless I/O modules. This results in larger control systems, greater application flexibility and expandability at a lower cost and reduced parts inventory.

A field-upgradable flash operating system that helps to make sure you will always be up-to-date with the latest features, without having to replace hardware. The controller can be easily updated with the latest firmware via a website download.

Advantages for the MicroLogix 1200 Controller

- Large 6 KB memory (4 KB User Program with 2 KB User Data) to solve a variety of applications.
- High performance expansion I/O options (up to six modules depending on current/power budget).
- Four high-speed inputs (for controllers with 24V DC inputs) that can be used individually as latching (pulse-catch) inputs, event interrupts, or alternately combined as one 20 kHz high-speed counter featuring eight modes of operation.
- One high-speed output that can be configured as 20 kHz pulse train output (PTO) or as pulse width modulated (PWM) output (available on controllers with embedded 24V DC outputs).
- One, 1 ms, selectable timed interrupt (STI).
- High-resolution, 1 ms timers.
- The same advanced communication options as the MicroLogix 1000 controller, including peer-to-peer and SCADA/RTU networks, DF1 full-duplex, DF1 half-duplex slave, DH-485, and EtherNet/IP, plus DF1 half-duplex master, Modbus master and slave, and DF1 radio modem protocols.
- ASCII read/write capability.

- An additional Programming/HMI Port, providing connectivity to a DF1 full-duplex compatible device such as an operator interface or programming terminal (MicroLogix 1200R controllers only, catalog number 1762-LxxxxR).
- Communication toggle pushbutton that allows the controller's Channel 0 port to toggle between user configured communication parameters and factory default settings for an easy means to switch from Modbus RTU or ASCII protocols (which do not support programming) to DF1 full-duplex (to upload/download, monitor, or edit your program), so a programming computer is able to connect to a controller with an unknown or incorrect communication parameter settings for troubleshooting.
- Optional real-time clock, to allow control to be based on actual time of day, day of week, or other calendar related timing.
- Optional memory module, for external program backup, transport and transfer to another controller. Control program and data are securely backed up to internal flash memory when power is not applied.
- Data file download protection prevents critical user data from being altered via program downloads from programming computers or memory modules.
- Two built-in analog trim potentiometers.
- 32-bit signed integer math.
- Floating-point and double integer data file support.
- Built-in PID capabilities.
- Finger-safe terminal blocks meet global safety standards.
- Removable terminal blocks on 40-point controllers allow pre-wiring.
- Regulatory agency certifications for world-wide market (CE, EAC, RCM, UL, c-UL, including Class 1 Division 2 Hazardous Location).

MicroLogix 1400 Controller



The MicroLogix 1400 controller is designed to broaden application coverage through available embedded analog inputs, Ethernet communication, faster high-speed counter (HSC), and pulse train output (PTO) capabilities. MicroLogix 1400 controllers maintain the same critical features you have come to expect from the MicroLogix 1100 controller, and expands that capability with more I/O, faster HSC/PTO, and an additional serial port. MicroLogix 1400 controllers complement our low-end controllers for applications that require up to 256 digital I/O.

Each MicroLogix 1400 controller includes 20 digital inputs and 12 digital outputs. In addition, several models include 4 embedded analog inputs and 2 embedded analog outputs. The controller can also expand its I/O capabilities by using the same modules as the MicroLogix 1200 controllers. Up to 7 of the 1762 I/O modules can be used with a single MicroLogix 1400 controller.

Using the latest version of our world-class RSLogix 500 programming software, the MicroLogix 1400 controller can be programmed with an instruction set that is common with the MicroLogix 1000, MicroLogix 1200, and SLC 500 families of controllers. RSLogix 500 Starter, Standard, and Professional applications, as well as RSLogix Micro software, all support the MicroLogix 1400 controller, including its online editing capabilities.

Each controller has 2 serial ports with DF1/DH485/Modbus RTU/DNP3/ASCII protocol support and a built-in Ethernet port, which supports EtherNet/IP, Modbus TCP/IP and DNP3 over IP.

An embedded LCD screen lets you monitor controller and I/O status, as well as make changes to bit and integer data.

Advantages for the MicroLogix 1400 Controller

- Large memory (10 KB user program with 10 KB user data) to solve a variety of applications.
- True online editing allows tuning of program, including PID, without going offline.
- Support for MicroLogix 1400 controller online editing in RSLogix 500 Professional, Standard, and Starter software version 8.1 and later, as well as RSLogix Micro.
- Mode switch for Run/Remote/Program through LCD keypad operation.
- Time-based or event-triggered data logging capability stores controller data records with optional time stamp in a separate 128 Kbyte memory area for later analysis (for example, trending and I/O status during alarm condition data).
- Recipe storage (up to 64 KB that is deducted from Data Logging memory) that is accessible by your ladder program, enabling quick and easy batch changes of program data for timers, counters, and other data types.
- High performance expansion I/O options (up to seven 1762 I/O modules, in any combination).
- Twelve high-speed inputs (except 1766-L32AWA and 1766-L32AWAA controllers) that can be used individually as latching (pulse-catch) inputs, event interrupts, or alternately combined as three 100 kHz high-speed counters featuring 10 modes of operation.
- Two available built-in 0...10V DC analog outputs (for controllers with analog I/O options) with 12-bit resolution (not isolated).
- Three high-speed outputs that can be configured as 100 kHz pulse train output (PTO) or 40 kHz as pulse width modulated (PWM) outputs (only on 1766-L32BXB and 1766-L32BXBA controllers).
- Multiple input commons let you use the controller for either sinking or sourcing input devices, and multiple output commons provide individual isolation in multi-voltage output applications.
- One, 1 ms, selectable timed interrupt (STI).
- High-resolution, 1 ms timers.
- Communication Channel 0 provides isolated RS-232 or RS-485 electrical compatibility (selectable through the choice of communication cables).
- Through RS-232, we support all serial protocols.
- Through RS-485, we support direct interface to DH-485, DF1 half-duplex master/slave, ASCII, and Modbus RTU master/slave networks, DNP 3 slave using the 1763-NC interface.
- Communication Channel 1 consists of an embedded RJ45 port that supports EtherNet/IP, Modbus TCP/IP and DNP3 over IP. This 10/100 Mbps port supports BOOTP and DHCP.
- Communication channel 2 provides a 9-pin, non-isolated RS-232 port supporting all serial protocols.
- Communication toggle selection that allows the controller's Channel 0 port to toggle between user-configured communication parameters and factory default settings for an easy way to switch from Modbus RTU or ASCII protocols (which do not support programming) to DF1 full-duplex (to upload/download, monitor, or edit your program). So a programming computer is able to connect to a controller with an unknown or incorrect communication-parameter settings for troubleshooting.
- Embedded real-time clock.
- Embedded web server with email functionality.

- Optional memory module for external program backup, for program transport, and transfer to another controller. Program and data in the controller is also battery backed for secure storage.
- Data file download protection prevents critical user data from being altered via program downloads from programming computers or memory modules.
- Built-in LCD provides access to binary and integer files that can be changed, or optionally protected, for monitor only access by an operator.
- LCD instruction allows the controller to output messages to the LCD, and optionally receive user input.
- IP address can be monitored and configured directly through the built-in LCD.
- Two built-in digital trim potentiometers.
- 32-bit signed integer math.
- Floating-point and double-integer data file support.
- Built-in PID capabilities.
- Finger-safe removable terminal blocks meet global safety standards.
- Customizable OEM logos on the LCD display.
- Regulatory agency certifications for world-wide market (CE, EAC, RCM, cUL, and UL including Class 1 Division 2 Hazardous Location, where product is marked⁽¹⁾).

(1) See the Product Certification link at <http://www.ab.com> for Declaration of Conformity, Certificates, and other certification details.

MicroLogix Controller System-selection Checklist

Use the following checklist as a guide to completing your own system specification. Skip any sections that do not apply.

✓	Step	See
	1 Select Family: MicroLogix 1200 Controller <ul style="list-style-type: none"> controller family - based on memory, I/O, added functionality, programming instructions and dimensions consider future expansion requirements consider requirement for online editing consider the need for networked communication 	page 13
	Select Family: MicroLogix 1100 or 1400 Controller <ul style="list-style-type: none"> controller family - based on memory, I/O, added functionality, programming instructions and dimensions consider future expansion requirements consider requirement for online editing consider the need for networked communication 	page 15
	2 Select Communication <ul style="list-style-type: none"> communication network - based on application requirements communication network - based on application requirements communication interface device - if required 	page 26
	3 Select Programming Tools and Software <ul style="list-style-type: none"> programming software - the appropriate RSLogix package for your application programming software - the appropriate RSLogix package for your application 	page 27
	4 Select Network and Programming Cables <small>cables - review device port identification to find cable in the selection chart)</small>	page 28
	5 Select MicroLogix 1200 Controllers <ul style="list-style-type: none"> controller - review power and I/O configurations to select a controller catalog number; see power supply and I/O specification for more detailed information accessories - memory modules 	page 43
	6 Select MicroLogix 1100 Expansion I/O <small>I/O modules - digital, analog, and temperature</small>	page 35
	7 Select MicroLogix 1200 Controllers <ul style="list-style-type: none"> controller - review power and I/O configurations to select a controller catalog number; see power supply and I/O specifications for more detailed information accessories - memory and real-time clock modules 	page 43
	8 Select MicroLogix 1200 Expansion I/O <ul style="list-style-type: none"> I/O modules - digital, analog, and temperature perform system expansion calculations 	page 46
	9 Select MicroLogix 1400 Controllers <ul style="list-style-type: none"> I/O modules - digital, analog, and temperature perform system expansion calculations 	page 49
	10 Select MicroLogix 1400 Expansion I/O <small>I/O modules - digital, analog, and temperature</small>	page 54
	11 Select Replacement Parts	page 55
	12 Fill in Your Selection Listing <small>all catalog numbers required for your system specification</small>	page 56

Select a MicroLogix Controller

Use this document to complete the following selection steps.

1. Select Family: MicroLogix 1100, 1200, or 1400 Controller.
2. Select Communication.
3. Select Programming Tools and Software.
4. Select Network and Programming Cables.
5. Select MicroLogix 1100 Controllers.
6. Select MicroLogix 1100 Expansion I/O.
7. Select MicroLogix 1200 Controllers.
8. Select MicroLogix 1200 Expansion I/O.
9. Perform MicroLogix 1200 Controller System Expansion Calculations.
10. Select MicroLogix 1400 Controllers.
11. Select MicroLogix 1400 Expansion I/O.
12. Select Replacement Parts.
13. Fill in Your Selection Listing.

Select Family: MicroLogix 1200 Controller

Step 1 - Select:

- controller family - based on memory, I/O, added functionality, programming instructions and dimensions
- consider future expansion requirements
- consider requirement for online editing
- consider the need for networked communication

Review the Features, Programming Instructions, Controller Specifications, and Controller Dimensions to determine which level of MicroLogix controller is required.

Features

MicroLogix Controllers Feature Comparison Chart

Controller	MicroLogix 1200/1200R
Bulletin Number	1762
Memory (in user words) User Program/User Data	
Up to 1 KB	
Up to 6 KB	4 KB/2 KB
Up to 7 KB	
Up to 8 KB	
Up to 14 KB	
Online editing	
Nonvolatile program and data	Flash
Memory Module (for program back-up and transport)	Optional
I/O	
Embedded Digital I/O, max	40
Embedded Analog I/O	
Local Expansion I/O, max	96
Thermocouple/RTD	Expansion
Networked Expansion I/O, max	None
Added Functionality	
Trim Potentiometers	2
PID	✓
High Speed Counters (embedded)	One @ 20 kHz
High Speed Counters (expansion)	
Real Time Clock	Optional
Motion: Pulse Width Modulated	1 @ 20 kHz
Motion: Pulse Train Outputs	1 @ 20 kHz
Data Access Tool	
Data Logging	
Recipe Storage	
Floating Point Math	✓
Programming	
Windows - RSLogix 500/Micro Software	✓
Communication	
RS-232 Ports	(1) 8-pin mini DIN (1) 8-pin mini DIN Programming/HMI
EtherNet/IP	
Web Server Capabilities	
DH-485	✓
SCADA RTU - DF1 half-duplex slave	✓
SCADA RTU - DF1 radio modem	✓

MicroLogix Controllers Feature Comparison Chart

Controller	MicroLogix 1200/1200R
Bulletin Number	1762
SCADA RTU - Modbus RTU slave	✓
SCADA RTU - Modbus RTU master	✓
ASCII - Read/Write	✓
Operating Power	
120/240V AC	✓
24V DC	✓
12V DC	
Agency Certifications	
CE, EAC, RCM, UL, and C-UL (including Class I, Division 2 Hazardous Location)	✓

Programming Instructions

MicroLogix controllers have the range of functionality necessary to address diverse applications. The controllers use the following types of instructions:

- Basic instructions (for example, Examine if On, Examine if Off)
- Data Comparison instructions (for example, Equal, Greater than or Equal, Less than or Equal)
- Data Manipulation instructions (for example, Copy, Move)
- Math instructions (for example, Add, Subtract, Multiply)
- Program Flow Control instructions (for example, Jump, Subroutine)
- Application Specific instructions (for example, Programmable Limit Switch, Sequencer)
- High-speed Counter instruction
- High-speed pulse train output (PTO) and pulse width modulated (PWM) instructions.
- Communication instruction (including ASCII).

Controller Specifications

Controller General Specifications

Attribute	MicroLogix 1200 (Bulletin 1762)
Memory Size and Type	6 KB flash memory: 4 KB user program, 2 KB user data
Data Elements	configurable, user-defined file structure, 2 KB max data size
Throughput	2 ms (for a typical 1 KB word user program) ⁽¹⁾

(1) A typical user program contains bit, timer, counter, math, and file instructions.

Environmental Specifications and Certifications

Attribute	1762 Controllers
Operating Temperature	0...55 °C (32...131 °F)
Storage Temperature	-40...85 °C (-40...185 °F)
Relative Humidity	5...95%, noncondensing
Vibration	10...500 Hz, 5 g, 0.030 in. max peak-to-peak, 2 hours each axis (Relay Operation: 1.5 g)
Shock, Operating	30 g; 3 pulses each direction, each axis (Relay Operation: 7 g)
Shock, Nonoperating	50 g panel mounted (40 g DIN Rail mounted); 3 pulses each direction, each axis
Agency Certification	<ul style="list-style-type: none"> • UL Listed Industrial Control Equipment for use in Class 1, Division 2, Hazardous Locations, Groups A, B, C, D • C-UL Listed Industrial Control Equipment for use in Canada • CE marked for all applicable directives • RCM marked for all applicable acts • EAC certified for all applicable directives
Electrical/EMC	The controller has passed testing at the following level
ESD Immunity	EN 61000-4-2 4 kV contact, 8 kV air, 4 kV indirect
Radiated Immunity	
Radiated RF Immunity	EN 61000-4-3 10 V/m, 80...1000 MHz, 80% amplitude modulation, +900 MHz keyed carrier
Electronic Fast Transient/Burst (EFT/B) Immunity	EN 61000-4-4 Power Supply, I/O: 2 kV, 5 kHz Communication Cable: 1 kV, 5 kHz
Surge Transient Immunity	EN 61000-4-5 Communication: 1 kV galvanic gun I/O: 2 kV CM (common mode), 1 kV DM (differential mode) AC Power Supply: 4 kV CM (Common mode), 2 kV DM (Differential mode) DC Power Supply: 500V CM (Common mode), 500V DM (Differential mode)
Conducted RF Immunity	EN 61000-4-6 Power Supply, I/O: 10V Communication Cable 3V

Select Family: MicroLogix 1100 or 1400 Controller

Step 1 - Select:

- controller family - based on memory, I/O, added functionality, programming instructions and dimensions
- consider future expansion requirements
- consider requirement for online editing
- consider the need for networked communication

Review the Features, Programming Instructions, Controller Specifications, and Controller Dimensions to determine which level of MicroLogix controller is required.

Features

MicroLogix Controllers Feature Comparison Chart

Controller	MicroLogix 1100	MicroLogix 1400
Bulletin Number	1763	1766
Memory (in user words) User Program/User Data		
Up to 1 KB		
Up to 6 KB		
Up to 7 KB		
Up to 8 KB	4 KB/4 KB	
Up to 14 KB		
Up to 20 KB		10 KB/10 KB
Online editing	✓	✓
Nonvolatile program and data	Battery back-up static RAM	Battery back-up static RAM
Memory Module (for program back-up and transport)	Optional	Optional
I/O		
Embedded Digital I/O, max	16	32
Embedded Analog I/O	Two 0...10V DC inputs on all controllers	Four 0...10V DC inputs on some controllers Two 0...10V DC outputs on some controllers
Local Expansion I/O, max	144	256
Thermocouple/RTD	Expansion	Expansion
Added Functionality		
Trim Potentiometers	Two (digital)	Two (digital)
PID	✓	✓
High Speed Counters (embedded)	One @ 40 kHz	Up to six @ 100 kHz
Real Time Clock	✓	✓
Motion: Pulse Width Modulated	2 @ 40 kHz	3 @ 40 kHz
Motion: Pulse Train Outputs	2 @ 40 kHz	3 @ 100 kHz
Data Access Tool	✓	✓
Data Logging	128 KB	128 KB
Recipe Storage	Uses up to 64 KB data logging memory	Uses up to 64 KB data logging memory
Floating Point Math	✓	✓
Programming		
Windows - RSLogix 500 Software	✓	✓
RSLogix Micro	✓	✓
Communication		
RS-232 Ports	(1) 8-pin mini DIN	(1) 8-pin mini DIN (1) 9-pin D-shell
EtherNet/IP	✓	✓
Web Server Capabilities	✓	✓
DH-485	Network with 1763-NC01	Network with 1763-NC01
SCADA RTU - DF1 half-duplex master/slave	✓	✓
SCADA RTU - DF1 radio modem	✓	✓

MicroLogix Controllers Feature Comparison Chart

Controller	MicroLogix 1100	MicroLogix 1400
Bulletin Number	1763	1766
SCADA RTU - Modbus RTU slave	✓	✓
SCADA RTU - Modbus RTU master	✓	✓
SCADA RTU - DNP3 slave		✓
ASCII - Read/Write	✓	✓
DNP3 over IP		✓
Modbus TCP/IP		✓
Operating Power		
120/240V AC	✓	✓
24V DC	✓	✓
12V DC	✓	
Agency Certifications		
CE, EAC, RCM, UL, and C-UL (including Class 1, Division 2 Hazardous Location) ⁽¹⁾	✓	✓

(1) See the Product Certification link at <http://www.ab.com> for Declarations of Conformity, Certificates, and other certification details.

Programming Instructions

MicroLogix controllers have the range of functionality necessary to address diverse applications. The controllers use the following types of instructions:

- Basic instructions (for example, Examine if On, Examine if Off)
- Data Comparison instructions (for example, Equal, Greater than or Equal, Less than or Equal)
- Data Manipulation instructions (for example, Copy, Move)
- Math instructions (for example, Add, Subtract, Multiply)
- Program Flow Control instructions (for example, Jump, Subroutine)
- Application Specific instructions (for example, Programmable Limit Switch, Sequencer)
- High-speed Counter instruction
- High-speed pulse train output (PTO) and pulse width modulated (PWM) instructions
- Communication instruction including ASCII
- Recipe instruction
- Data Logging instruction
- LCD instruction
- Trigonometry instructions (MicroLogix 1400 controllers only)
- Advanced math instructions (for example, x^y , compute - MicroLogix 1400 controllers only)
- Advanced timing instructions (for example, Read High-speed clock, compute time difference - MicroLogix 1400 controllers only)

Controller Specifications

Controller General Specifications

Attribute	MicroLogix 1100 (Bulletin 1763)	MicroLogix 1400 (Bulletin 1766)
Memory Size and Type	8 KB battery backed RAM: 4 K user program, 4 K user data	20 KB battery backed RAM: 10 K user program, 10 K user data
Data Elements	configurable, user defined file structure, 4 KB max data size	configurable, user defined file structure, 10 KB max data size
Throughput	1.5 ms (for a typical 1 KB word user program) ⁽¹⁾	0.7 ms (for a typical 1 KB word user program) ⁽¹⁾

(1) A typical user program contains bit, timer, counter, math, and file instructions.

Environmental Specifications and Certifications

Attribute	1763 Controllers	1766 Controllers
Operating Temperature	-20...65 °C (-4...149 °F)	-20...60 °C (-4...140 °F)
Storage Temperature	-40...85 °C (-40...185 °F)	-40...85 °C (-40...185 °F)
Relative Humidity	5...95%, noncondensing	5...95%, noncondensing
Vibration	10...500 Hz, 5 g, 0.015 in. max peak-to-peak, (Relay Operation: 1.5 g)	10...500 Hz, 3 g, 0.015 in. max peak-to-peak
Shock, Operating	30 g; 3 pulses each direction, each axis (Relay Operation: 7 g)	30 g; 3 pulses each direction, each axis
Shock, Nonoperating	50 g panel mounted (40 g Din Rail mounted); 3 pulses each direction, each axis	50 g panel mounted (40 g Din Rail mounted); 3 pulses each direction, each axis
Agency Certification	<ul style="list-style-type: none"> UL Listed Industrial Control Equipment for use in Class 1, Division 2, Hazardous Locations, Groups A, B, C, D C-UL Listed Industrial Control Equipment for use in Canada CE marked for all applicable directives RCM marked for all applicable acts EAC marked for all applicable acts 	<ul style="list-style-type: none"> UL Listed Industrial Control Equipment for use in Class 1, Division 2, Hazardous Locations, Groups A, B, C, D C-UL Listed Industrial Control Equipment for use in Canada CE marked for all applicable directives RCM marked for all applicable acts EAC marked for all applicable acts
Electrical/EMC		
ESD Immunity	EN 61000-4-2 4 kV contact, 8 kV air, 4 kV indirect	EN 61000-4-2 4 kV contact, 8 kV air
Radiated Immunity	ENV 50204 10 V/m, 1000 MHz	
Radiated RF Immunity	EN 61000-4-3 10V/m, 26...1000 MHz (alternatively, 80...1000 MHz), 80% amplitude modulation, +900 MHz keyed carrier	EN 61000-4-3 10V/m, 26...1000 MHz (alternatively, 80...1000 MHz), 80% amplitude modulation, +900 MHz keyed carrier

Environmental Specifications and Certifications

Attribute	1763 Controllers	1766 Controllers
Electronic Fast Transient/Burst (EFT/B) Immunity	EN 61000-4-4 2 kV, 5 kHz communication cable such as EtherNet, RS-232, and RS-485: 1 kV, 5 kHz	EN 61000-4-4 2 kV, 5 kHz communication cable such as EtherNet, RS-232, and RS-485: 1 kV, 5 kHz
Surge Transient Immunity	EN 61000-4-5 Unshielded communication cable: 2 kV CM (common mode), 1 kV DM (differential mode) Shielded communication cable: 1 kV galvanic gun I/O: 2 kV CM (common mode), 1 kV DM (differential mode) AC Power Supply Input: 4 kV CM (common mode), 2 kV DM (differential mode) DC Power Supply Input: 500V CM (common mode), 500V DM (differential mode) AC/DC Auxiliary Output: 500V CM (common mode), 500V DM (differential mode)	EN 61000-4-5 ± 1 kV line-line (DM) and ± 2 kV line-earth (CM) on AC power ports ± 1 kV line-line (DM) and ± 2 kV line-earth (CM) on signal ports ± 1 kV line-earth (CM) on communication ports
Conducted RF Immunity	EN 61000-4-6 10V, 150 kHz...80 MHz	EN 61000-4-6 10V, 150 kHz...80 MHz
Conducted Emissions	EN 55011 AC Power Supply Input: 150 kHz...30 MHz	EN 55011 AC Power Supply Input: 150 kHz...30 MHz
Radiated Emissions	EN 55011 30...1000 MHz	EN 55011 30...1000 MHz
Line Related Tests	EN 61000-4-11 AC Power Supply Input: voltage drop: -30% for 10 ms, -60% for 100 ms voltage interrupt: at voltage greater than -95% for 5 s. voltage fluctuation: +10% for 15 minutes, -10% for 15 minutes DC Power Supply Input: voltage fluctuation: +20% for 15 minutes, -20% for 15 minutes	EN 61000-4-11 60% dip for 10 periods on AC supply ports 30% dips for 25 periods at 0- and 180- on AC supply ports 100% dip for 250 periods at 0- and 180- on AC supply ports 100% dip for 0.5 periods, arbitrary angle, on AC supply ports

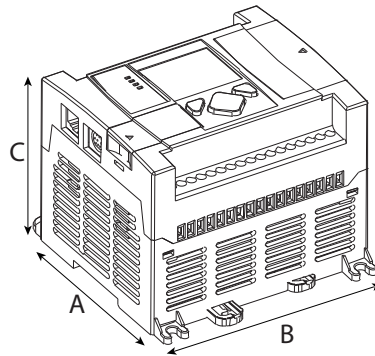
Controller Dimensions

MicroLogix 1100 Controller

Dimensions are in millimeters (inches).

Controller Spacing = 50 mm (2 in.) on all sides for adequate ventilation.

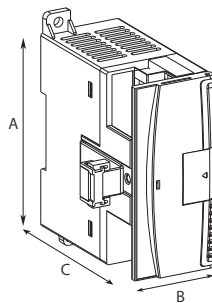
MicroLogix 1100 Controller Dimension Drawing



MicroLogix 1100 Controller Dimensions

Dimension	1763-L16AWA, 1763-L16BWA, 1763-L16BBB, 1763-L16DWD
A	90 mm (3.5 in.)
B	110 mm (4.33 in.)
C	87 mm (3.43 in.)

1762 Expansion I/O Module Dimension Drawing

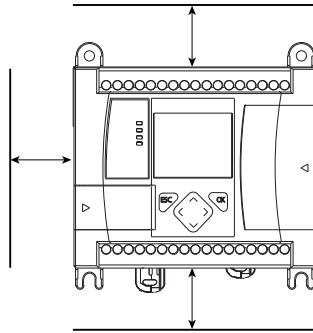


1762 Expansion I/O Dimensions

Dimension	Expansion I/O Module
A	90 mm (3.5 in.)
B	40 mm (1.57 in.)
C	87 mm (3.43 in.)

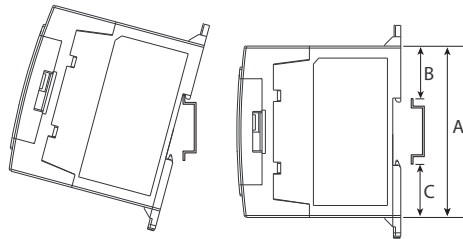
Controller Spacing

The controller mounts horizontally, with the expansion I/O extending to the right of the controller. Allow 50 mm (2 in.) of space on all but the right side for adequate ventilation, as shown below.



DIN Rail Mounting

The maximum extension of the latch is 14 mm (0.55 in.) in the open position. A flat-blade screwdriver is required for removal of the controller. The controller can be mounted to EN50022-35 x 7.5 or EN50022-35 x 15 DIN rails. DIN rail mounting dimensions are shown below.



DIN Rail Mounting Dimensions

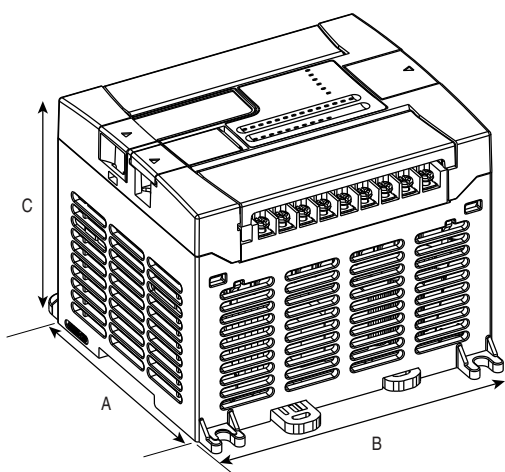
Dimension	Height
A	90 mm (3.5 in.)
B	27.5 mm (1.08 in.)
C	27.5 mm (1.08 in.)

MicroLogix 1200 Controller

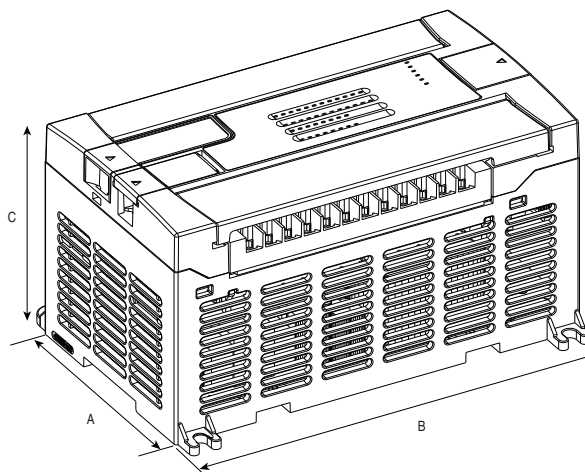
Dimensions are in millimeters (inches).

Controller Spacing = 50 mm (2 in.) on all sides for adequate ventilation.

MicroLogix 1200 Controller Dimension Drawing



1762-L24AWA, 1762-L24BWA, 1762-L24BXB
1762-L24AWAR, 1762-L24BWAR, 1762-L24BXBR



1762-L40AWA, 1762-L40BWA, 1762-L40BXB
1762-L24AWAR, 1762-L24BWAR, 1762-L24BXBR

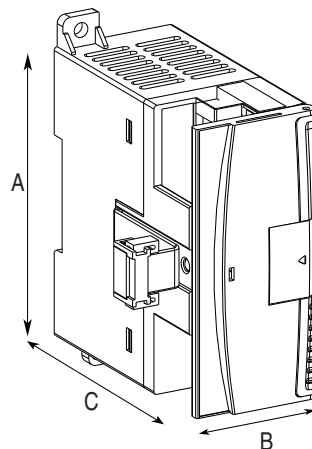
Controller Dimensions

Dimension	1762-L24AWA 1762-L24AWAR	1762-L24BWA 1762-L24BWAR	1762-L24BXB 1762-L24BXBR	1762-L40AWA 1762-L40AWAR	1762-L40BWA 1762-L40BWAR	1762-L40BXB 1762-L40BXBR
A	90 mm (3.5 in.)			90 mm (3.5 in.)		
B	110 mm (4.33 in.)			160 mm (6.30 in.)		
C	87 mm (3.43 in.)			87 mm (3.43 in.)		

1762 Expansion I/O Dimensions

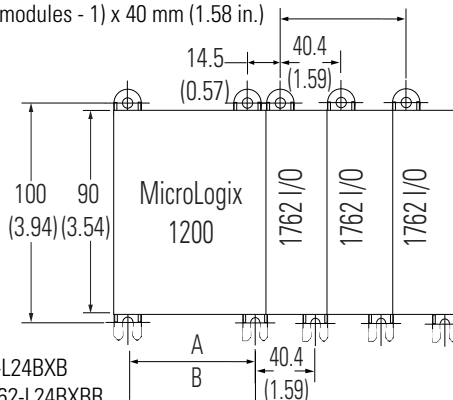
1762 I/O Dimensions

Dimension	Expansion I/O Module
A	90 mm (3.5 in.)
B	40 mm (1.57 in.)
C	87 mm (3.43 in.)



MicroLogix 1200 System Mounting Dimensions

For more than 2 modules: (number of modules - 1) x 40 mm (1.58 in.)



A = 95.86mm (3.774 in.)
 1762-L24AWA, 1762-L24BWA, 1762-L24BXB
 1762-L24AWAR, 1762-L24BWAR, 1762-L24BXBR

B = 145.8 mm (5.739 in.)
 1762-L40AWA, 1762-L40BWA, 1762-L40BXB
 1762-L40AWAR, 1762-L40BWAR, 1762-L40BXBR

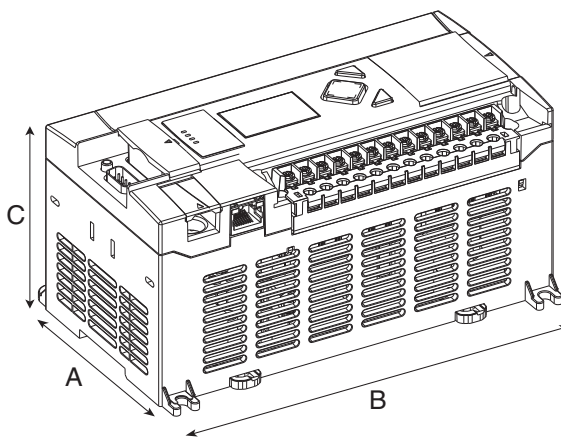
Important: All dimensions are in mm (inches). Hole spacing tolerance: ±0.4 mm (0.016 in.).

MicroLogix 1400 Controller

Dimensions are in millimeters (inches).

Controller Spacing = 50 mm (2 in.) on all sides for adequate ventilation. See [DIN Rail Mounting on page 21](#).

MicroLogix 1400 Controller Dimension Drawing



1766-L32BWA, 1766-L32AWA, 1766-L32BXB,
 1766-L32BWAA, 1766-L32AWAA, 1766-L32BXBA

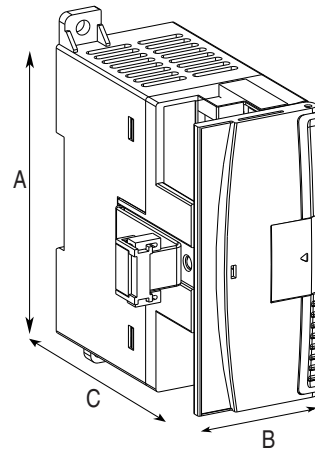
Controller Dimensions

Dimension	Height
A	90 mm (3.5 in.)
B	180 mm (7.08 in.)
C	87 mm (3.43 in.)

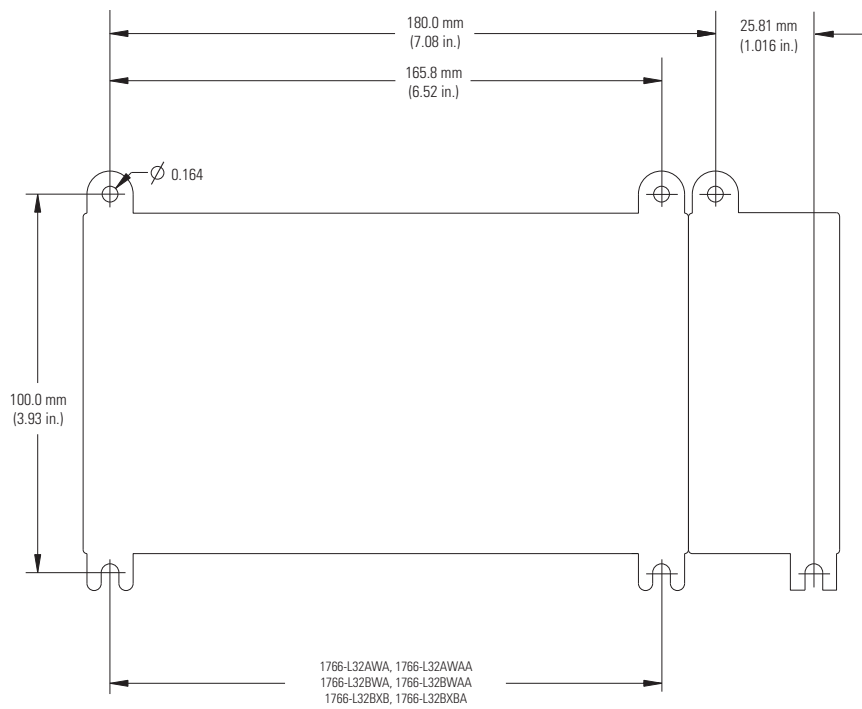
1762 Expansion I/O Dimensions

1762 I/O Dimensions

Dimension	Expansion I/O Module
A	90 mm (3.5 in.)
B	40 mm (1.57 in.)
C	87 mm (3.43 in.)



MicroLogix 1400 System Mounting Dimension



Select Communication

Step 2 - Select:

- communication network - based on application requirements
- communication interface device - if required
- record your selection in the [Fill in Your Selection Listing on page 55](#)

Communication Networks

MicroLogix controllers allow you to choose the network that best meets your needs.

- Channel 0 Isolated RS-232/RS-485 Combo port (MicroLogix 1100 and 1400 controllers only)
- EtherNet/IP port (MicroLogix 1100 and 1400 controllers only)
- DNP3 over IP (MicroLogix 1400 controller only)
- Modbus TCP/IP (MicroLogix 1400 controller only)
- For RS-232 communication:
 - 300, 600, 1200, 4800, 9600 bps; 19.2 and 38.4 Kbps
 - RTS/CTS hardware handshake signals
 - Connection to modems for remote communication
 - ASCII messaging provides dial-out capability
 - DF1 half-duplex slave
 - DF1 half-duplex master
 - DNP3 slave (MicroLogix 1400 controller only)
 - Modbus RTU master/slave
 - DF1 full-duplex
 - DF1 radio modem

MicroLogix Controller Network Options (RS-232 unless otherwise noted)

If your application requires	Use this network
<ul style="list-style-type: none"> • Connection to dial-up modems for remote program maintenance or data collection • Connection to leased-line or radio modems for use in SCADA systems • Remote Terminal Unit (RTU) functions • Program upload, download, and monitoring 	DF1 full-duplex DF1 half-duplex slave/master DF1 radio modem
<ul style="list-style-type: none"> • Plant-wide and cell-level data sharing with program maintenance • Data sharing between 32 controllers • Peer-to-peer communication • Program upload, download, and monitoring • Compatibility with multiple Allen-Bradley HMI devices 	DH-485 directly through channel 0 RS-485 port using 1763-NC01 cable ⁽¹⁾
<ul style="list-style-type: none"> • Program upload, download, and monitoring • Peer-to-peer communication • E-mail communication • 10/100 Base-T port with embedded status indicators 	EtherNet/IP network directly through Channel 1 10/100 Mbps communication port ⁽²⁾
<ul style="list-style-type: none"> • Connection to third party devices for remote data collection in a SCADA system (for example, telephone modems, radio modems, and leased lines.) • Remote Terminal Unit (RTU) functions 	Modbus RTU master/slave directly through channel) RS-485 port using 1763-NC01 cable ⁽²⁾ DNP3 slave via RS-232 ⁽³⁾ DNP3 over IP ⁽⁴⁾ Modbus TCP/IP ⁽⁴⁾

(1) MicroLogix 1100 and 1400 controllers only.

(2) Direct EtherNet/IP connections through MicroLogix 1100 and 1400 controllers provide web server capabilities as well as support for email communication.

(3) MicroLogix 1400 controllers only.

Select Programming Tools and Software

Programming Software

The RSLogix 500 and RSLogix Micro ladder-logic programming packages help you maximize performance, save project development time, and improve productivity. These products have been developed to operate on Windows operating systems. RSLogix 500 software can be used for programming both the SLC 500 and MicroLogix controller families. RSLogix Micro software is for programming MicroLogix controller families only.

Step 3 - Select:

- programming software - the appropriate RSLogix package for your application
- record your selection in the [Fill in Your Selection Listing on page 55](#)

RSLogix 500 and RSLogix Micro Selection Chart

Cat. No.	Description
9324-RL0100ENE	RSLogix 500 Starter Edition Programming Software for MicroLogix controller families.
9324-RL0300ENE	RSLogix 500 Standard Edition Programming Software for SLC 500 and MicroLogix controller families.
9324-RL0700NXENE	RSLogix 500 Professional Edition. CD-ROM also includes RSLogix Emulate 500, RSNetworx for DeviceNet and RSNetworx for ControlNet software.
9324-RLM0100ENE	RSLogix Micro Starter software
9324-RLM0800ENE	RSLogix Micro Developer software

Select Network and Programming Cables

Cables come in several lengths and connector styles to provide connectivity between MicroLogix controllers and other devices. MicroLogix 1200 controllers require series C versions of all 1761 cables.

Step 4 - Select:

- cables - review device port identification to find cable in the selection chart)
- record your selection in the [Fill in Your Selection Listing on page 55](#)

Network Cable Selection

Controller and PC Port Identification

Device	Communication Port Description	Connector Type
MicroLogix 1200	RS-232 Communication Port (Channel 0) with 24V DC power for communication device	8-pin Mini DIN
MicroLogix 1200R	RS-232 Programming/HMI Port (no 24V DC power)	8-pin Mini DIN
MicroLogix 1100 and 1400	RS-232/RS-485 Communication Port (Channel 0, no 24V DC power for communication Interface Modules)	8-pin Mini DIN (isolated)
	10/100Mbps EtherNet/IP Communication Port (Channel 1)	RJ-45
	Communication Port (Channel 2) (MicroLogix 1400 only)	9-pin D Shell
Personal Computer	Personal Computer Serial Communication Port	9-Pin D Shell
	Personal Computer Ethernet Communication Port	RJ-45

Network Cable Selection Chart

Connectors	Length	Cat. No.	Connectors	Length	Cat. No.
8-pin Mini DIN to 8-pin Mini DIN	0.5 m (1.5 ft)	1761-CBL-AM00 ⁽¹⁾	8-pin Mini DIN to 9-pin D Shell	2 m (6.5 ft)	1761-CBL-PM02 ⁽¹⁾
8-pin Mini DIN to 8-pin Mini DIN	2 m (6.5 ft)	1761-CBL-HM02 ⁽¹⁾	8-pin Mini DIN to 9-pin D Shell	5 m (16 ft)	2711-CBL-PM05
8-pin Mini DIN to 8-pin Mini DIN	5 m (16 ft)	2711-CBL-HM05	8-pin Mini DIN to 9-pin D Shell	10 m (32 ft)	2711-CBL-PM10
8-pin Mini DIN to 8-pin Mini DIN	10 m (32 ft)	2711-CBL-HM10	6-pin Phoenix to RJ45 (DH-485)	3 m (10 ft)	1761-CBL-AS03
9-pin D Shell to 9-pin D Shell	0.5 m (1.5 ft)	1761-CBL-AC00	6-pin Phoenix to RJ45 (DH-485)	9 m (30 ft)	1761-CBL-AS09
9-pin D Shell to 9-pin D Shell	3 m (10 ft)	1747-CP3	8-pin Mini DIN to 8-pin Mini DIN	15 m (49.2 ft)	2707-NC9 ⁽¹⁾
8-pin Mini DIN with lock mechanism to 9-pin D Shell	2 m (6.5 ft)	1761-CBL-PH02 ⁽²⁾	8-pin Mini DIN to 6-pin DH-485 terminal	30 cm (11.8in.)	1763-NC01 series A
8-pin Mini DIN with lock mechanism to 8-pin Mini DIN with lock mechanism	2 m (6.5 ft)	1761-CBL-AH02 ⁽²⁾	RJ-45 to RJ-45	100 m (328 ft), max	Ethernet Cable ⁽³⁾
8-pin Mini DIN to 9-pin D Shell	0.5 m (1.5 ft)	1761-CBL-AP00 ⁽¹⁾			

(1) Series C or later for Class 1 Div 2 applications.

(2) Series A for Class 1 Div 2 applications.

(3) Commercially available.

Programming Cable Selection

Programming Cable Selection Chart - Programming Device to Controller

Programming Device	MicroLogix 1100, 1200, and 1400 Channel 0 (8-pin Mini DIN)		MicroLogix 1400 Channel 1 (RJ-45)		MicroLogix 1400 Channel 2	
	MicroLogix 1200 Programming/HMI Port (8-pin Mini DIN)					
	Cat. No.	Length	Cat. No.	Length	Cat. No.	Length
Personal Computer (9-pin D Shell)	1761-CBL-PM02	2 m (6.5 ft)	—		1747-CP3	3m (10 ft)
	1761-CBL-PH02 ⁽¹⁾	2 m (6.5 ft)	—		—	
Personal Computer (RJ-45)	—		Ethernet Cable ⁽²⁾	100 m (328 ft), max	—	

(1) Do not use with MicroLogix 1400.

(2) Commercially available.

1747-UIC Universal Serial Bus to DH-485 Interface Converter

This device allows a computer with a USB port to interface to DH-485 ports on an SLC 500, MicroLogix, or other Rockwell Automation controllers and on PanelView terminals. The 1747-UIC features a USB connector as well as both an RS-232 and an RS-485 port. Use the RS-232 port to connect to SLC 5/03, 5/04, 5/05 (Channel 0), MicroLogix, CompactLogix, FlexLogix, ControlLogix controllers, PanelView 300 or higher terminals, or the AIC+ interface. Use the RS-485 port to connect to SLC 5/01, 5/02, 5/03 controllers (Channel 1), PanelView 300 or higher terminals, or the 1747-AIC isolated link coupler.

USB to DH-485 Interface Converter Specifications

Cat. No.	1747-UIC
USB Power Consumption	<100 mA (low power)
USB Speed	USB 1.1 (12 Mbps)
DH-485 Baud Rate	19.2 Kbps

Select MicroLogix 1100 Controllers

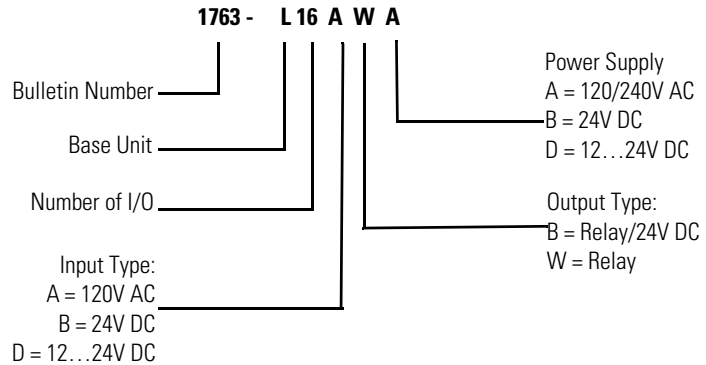
MicroLogix 1100 Base Units

The base unit houses embedded inputs, outputs, power supply, and communication ports. The base unit also provides the interface to expansion I/O when required by an application.

Step 5 - Select:

- controller - review power and I/O configurations to select a controller catalog number; see power supply and I/O specification for more detailed information
- accessories - memory modules
- record your selection in the [Fill in Your Selection Listing on page 55](#)

MicroLogix 1100 Controller Catalog Number Detail



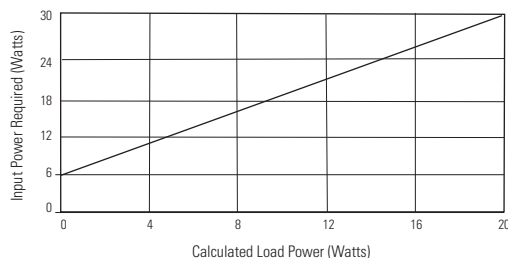
MicroLogix 1100 Controller Power and I/O Configuration

Cat. No.	Line Voltage	Number of Inputs	Number of Outputs	High Speed I/O
1763-L16AWA	120/240V AC	(10) 120V AC (2) Analog Voltage	(6) Individually Isolated Relay	None
1763-L16BWA	120/240V AC	(6) 24V DC (4) Fast 24V DC (2) Analog Voltage	(6) Individually Isolated Relay	(4) 40 kHz input
1763-L16BBB	24V DC	(6) 24V DC (4) Fast 24V DC (2) Analog Voltage	(2) Individually Isolated Relay (2) 24V DC FET (2) Fast 24V DC FET	(4) 40 kHz input (2) 40 kHz output
1763-L16DWD	12...24V DC	(6) 12V DC/24V DC (4) Fast 12V DC/24V DC (2) Analog Voltage	(6) Individually Isolated Relay	(4) 40 kHz input

MicroLogix 1100 Controller Power Supply Specifications

Attribute	1763-L16AWA	1763-L16BWA	1763-L16BBB	1763-L16DWD
Power Supply Voltage	85...264V AC @ 47...63 Hz		20.4...26.4V DC Class 2 SELV	12...24V DC (-15%, 10%) Class 2 SELV
Power Consumption	46 VA	52 VA	6...30 W	6...30 W
Power Supply Inrush Current, max	120V AC: 25 A for 8 ms 240V AC: 40 A for 4 ms		24V DC: 15 A for 20 ms	24V DC: 15 A for 20 ms
24V DC Sensor Power	—	250 mA, 400µF capacitance, max	—	—

MicroLogix 1100 Controller DC Input Power Requirements for 1763-L16BBB and 1763-L16DWD Units



MicroLogix 1100 Controller Digital Input Specifications

Attribute	1763-L16AWA	1763-L16BWA and 1763-L16BBB		1763-L16DWD	
		Inputs 0...3	Inputs 4 and higher	Inputs 0...3	Inputs 4 and higher
On-state Voltage Range	79...132V AC @ 47...63 Hz	14...26.4V DC @ 65 °C (149 °F) 14...30.0V DC @ 30 °C (86 °F)	10...26.4V DC @ 65 °C (149 °F) 10...30.0V DC @ 30 °C (86 °F)	10...24V DC @ 65 °C (149 °F) 10...30V DC @ 30 °C (86 °F)	
Off-state Voltage Range	0...20V AC	0...5V DC		0...5V DC	
Operating Frequency	47...63 Hz	0 Hz...40 kHz ⁽¹⁾	0 Hz...1 kHz	0 Hz...40 kHz	0 Hz...1 kHz
Signal Delay, max	On Delay = 20 ms Off Delay = 20 ms	standard inputs: selectable from 0.5...16 ms high-speed inputs: selectable from 0.0125...16 ms		standard inputs: selectable from 0.5...16 ms high-speed inputs: selectable from 0.0125...16 ms	
On-state Current min nom max	5.0 mA @ 79V AC 12 mA @ 120V AC 16.0 mA @ 132V AC	2.5 mA @ 14V DC 8.8 mA @ 24V DC 12.0 mA @ 30V DC	2.0 mA @ 10V DC 8.5 mA @ 24V DC 12.0 mA @ 30V DC	2.0 mA @ 10V DC 8.5 mA @ 24V DC 12.0 mA @ 30V DC	
Off-state Leakage Current, max	2.5 mA, max	1.5 mA, min		1.5 mA, min	
Impedance, nom	12 kΩ @ 50 Hz 10 kΩ @ 60 Hz	3.1 kΩ		2.61 kΩ	3.1 kΩ
Inrush Current, max	250 mA @ 120V AC	—		—	

(1) OS series B FRN 4 or later.

MicroLogix 1100 Controller Digital Output Specifications

Attribute	1763-L16AWA, 1763-L16BWA, and 1763-L16DWD	1763-L16BBB	
	Relay	FET Standard Operation	FET High-speed Operation (Output 2 and 3 only)
Operating Voltage Range	5...125V DC 5...264V AC	20.4...26.4V DC	
Continuous Current per Point, max	See MicroLogix 1100 Controller Relay Contact Rating For Ordinary (Non-Hazardous) Locations only on page 33 .	See MicroLogix 1100 Controller FET Standard Outputs Continuous Current per Point max on page 33 .	100 mA
Continuous Current per Common, max	5 A/3 A		

MicroLogix 1100 Controller Digital Output Specifications

Attribute	1763-L16AWA, 1763-L16BWA, and 1763-L16DWD	1763-L16BBB	
	Relay	FET Standard Operation	FET High-speed Operation (Output 2 and 3 only)
Continuous Current per Controller, max	30 A or total of per-point loads, whichever is less at 150V, max 20 A or total of per-point loads, whichever is less at 240V, max		
On-state Current, min	10.0 mA	1 mA	10.0 mA
Off-state Leakage Current, max	0 mA	1 mA	
Signal Delay, max - resistive load	On Delay = 10 ms Off Delay = 10 ms	On Delay = 0.1 ms Off Delay = 1.0 ms	On Delay = 6 μ s Off Delay = 18 μ s
Surge Current per Point (peak)	—	4 A for 10 ms (repeatability is once every 2 s @ 65 °C (149 °F), once every 1 s @ 30 °C (86 °F))	

MicroLogix 1100 Controller Analog Input Specifications

Attribute	1763-L16AWA, 1763-L16BWA, 1763-L16BBB, 1763-L16DWD
Voltage Input Range	0...10V DC
Input Coding (0...10V DC)	0...1023
Voltage Impedance	210 k Ω
Input Resolution	10-bit
Non-linearity (in percent full scale)	\pm 0.5%
Overall Accuracy	\pm 0.5% full scale at -20...65 °C (-4...149 °F)
Update Time	100/20/16.67/4 ms (selectable)
Voltage Input Overvoltage Protection	10.5V DC
Field Wiring to Logic Isolation	Non-isolated with logic

MicroLogix 1100 Controller Relay Contact Rating For Hazardous Locations Applications (Class I, Division 2, Groups A, B, C, D)⁽¹⁾

Voltage, max	Amperes		Amperes Continuous	Voltamperes	
	Make	Break		Make	Break
240V AC ⁽²⁾	7.5 A	0.75 A	2.5 A	1800 VA	180 VA
120V AC ⁽³⁾	15.0 A	1.5 A	2.5 A	1800 VA	180 VA
125V DC ⁽⁴⁾	0.22 A		1.0 A	28 VA	

(1) Pilot Duty Rating: (ordinary location) – B300, R150. (hazardous location) – C300, R150.

(2) For AC voltage applications lower than 240V AC but higher than 120V AC, the maximum make and break ratings are to be obtained by dividing the volt-amperes rating by the application voltage.

(3) For AC voltage applications lower than 120V AC, the maximum make current is to be the same as for 120V AC, and the maximum break current is to be obtained by dividing the break volt-amperes rating by the application voltage, but the currents are not to exceed the thermal continuous current.

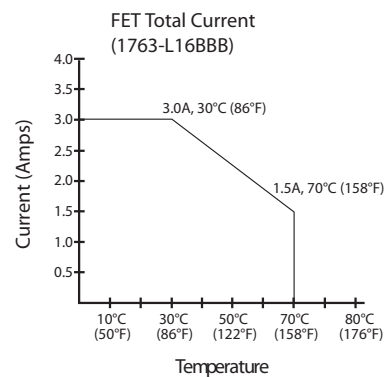
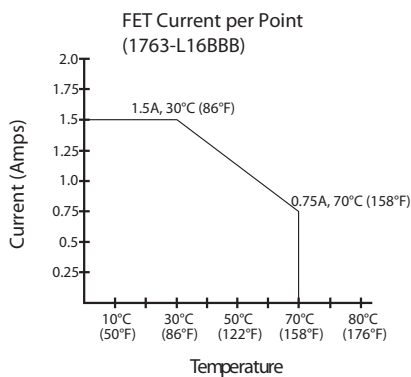
(4) For DC voltage applications lower than 125V DC, the make/break ampere rating for relay contacts can be determined by dividing the volt-ampere rating by the applied DC voltage but the current values are not to exceed the thermal continuous current.

MicroLogix 1100 Controller Relay Contact Rating For Ordinary (Non-Hazardous) Locations only⁽¹⁾

Voltage, max	Amperes		Amperes Continuous	Voltamperes	
	Make	Break		Make	Break
240V AC ⁽²⁾	15.0 A	1.5 A	5.0 A ⁽³⁾	3600 VA	360 VA
120V AC ⁽⁴⁾	30 A	3.0 A			
125V DC ⁽⁵⁾	0.22 A		1.0 A	28 VA	

- (1) Pilot Duty Rating: (ordinary location) – B300, R150. (hazardous location) – C300, R150.
- (2) For AC voltage applications lower than 240V AC but higher than 120V AC, the maximum make and break ratings are to be obtained by dividing the volt-amperes rating by the application voltage.
- (3) 3.0 A above 40 °C.
- (4) For AC voltage applications lower than 120V AC, the maximum make current is to be the same as for 120V AC, and the maximum break current is to be obtained by dividing the break volt-amperes rating by the application voltage, but the currents are not to exceed the thermal continuous current.
- (5) For DC voltage applications lower than 125V DC, the make/break ampere rating for relay contacts can be determined by dividing the volt-ampere rating by the applied DC voltage but the current values are not to exceed the thermal continuous current.

MicroLogix 1100 Controller FET Standard Outputs Continuous Current per Point, max



MicroLogix 1100 Memory Module (1763-MM1)

The controller is shipped with a memory module port cover in place. You can order the memory module to provide removable backup of your User Program and User Data, or to transport your program between controllers.

Memory modules allow:

- user programs and data to be store as backup.
- transport programs for use with other controllers.
- special safety/security features for press control and other critical applications.
- auto-recovery, through a power cycle, after a controller fault.
- comparison of programs.
- data file and memory module write protection.
- removal/insertion under power.

Select MicroLogix 1100 Expansion I/O

Step 6 - Select:

- I/O modules - digital, analog, and temperature
- record your selection in the [Fill in Your Selection Listing on page 55](#)

MicroLogix 1100 controllers expand by using the same 1762 I/O platform as MicroLogix 1200 controllers. The 1762 I/O expansion modules provide superior functionality in a small sized low-cost package. A variety of modules complement and extend the capabilities of MicroLogix 1100 controllers by maximizing the flexibility of I/O count and type.

The MicroLogix 1100 system design allows modules to be either DIN-rail or panel mounted. The DIN latches and screw mounting holes are an integral part of the package design.

Controller I/O can be expanded by using up to four 1762 I/O modules.

Advantages

- Rackless design, eliminating added system costs and inventory
- Small footprint with high density I/O, minimizing panel space requirements
- Integral high-performance I/O bus
- Software keying to prevent incorrect positioning within the system
- Feature-rich I/O functionality addresses a wide range of applications
- AC/DC relay, 24V DC, 120V AC and 240V AC voltages

Thermocouple/mV and RTD/Resistance temperature input modules

Available Modules



1762 Expansion I/O Modules

Cat. No.	Description
Digital	
1762-IA8	8-Point 120V AC Input Module
1762-IQ8	8-Point Sink/Source 24V DC Input Module
1762-IQ8OW6	8 Point Sink/Source 24V DC Input/6-Point AC/DC Relay Output Combination Module
1762-IQ16	16-Point Sink/Source 24V DC Input Module
1762-OA8	8-Point 120/240V AC Triac Output Module
1762-OB8	8-Point Sourcing 24V DC Output Module
1762-OB16	16-Point Sourcing 24V DC Output Module
1762-OW8	8-Point AC/DC Relay Output Module
1762-OW16	16-Point AC/DC Relay Output Module
1762-OX6I	6-Point Isolated AC/DC Relay Output Module
1762-OV32T	32-Point Solid State 24V DC Sink Output Module
1762-OB32T	32-Point Solid State 24V DC Source Output Module
1762-IQ32T	32-Point DC Input Module
Analog	
1762-IF4	4-Channel Voltage/Current Analog Input Module
1762-OF4	4-Channel Voltage/Current Analog Output Module
1762-IF2OF2	Combination 2-Channel Input 2-Channel Output Voltage/Current Analog Module
Specialty	
1762-IR4	4-Channel RTD/Resistance Input Module
1762-IT4	4-Channel Thermocouple/mV Input Module

1762 Digital I/O

1762 Digital Expansion Input Modules Specifications

Attribute	1762-IA8	1762-IQ8	1762-IQ80W6 (inputs)	1762-IQ16	1762-IQ32T
Voltage Category	100/120V AC	24V DC (sink/source) ⁽¹⁾	24V DC (sink/source) ⁽¹⁾	24V DC (sink/source) ⁽¹⁾	24V DC sink/source ⁽¹⁾
Operating Voltage Range	79...132V AC @ 47...63 Hz	10...26.4V DC @ 55 °C (131 °F) 10...30V DC @ 30 °C (86 °F)	10...26.4V DC @ 65 °C (149 °F) 10...30V DC @ 30 °C (86 °F)	10...26.4V DC 10...30V DC ⁽³⁾⁽²⁾	10...26.4V DC 10...30V DC
Number of Inputs	8	8	8	16	32
Number of Commons	1	1	inputs: 2 outputs: 1	2	4
Bus Current Draw, max	50 mA @ 5V DC (0.25 W)	50 mA @ 5V DC (0.25 W)	110 mA @ 5V DC (0.55 W) 80 mA @ 24V DC (1.92 W)	70 mA @ 5V DC (0.35 W) ⁽³⁾	170 mA @ 5V DC 0 mA @ 24V DC
Heat Dissipation, max	2.0 Total Watts	3.7 Total Watts	5.0 Total Watts @ 30V 4.4 Total Watts @ 26.4V	5.4 Total Watts @ 30V 4.3 Total Watts @ 26.4V ⁽³⁾	5.4 Total Watts @ 26.4V 6.8 Total Watts @ 30.0V
Signal Delay, max	On Delay: 20.0 ms Off Delay: 20.0 ms	On Delay: 8.0 ms Off Delay: 8.0 ms	On Delay: 8.0 ms Off Delay: 8.0 ms	On Delay: 8.0 ms Off Delay: 8.0 ms	On Delay: 8.0 ms Off Delay: 8.0 ms
Off-state Voltage, max	20V AC	5V DC	5V DC	5V DC	5V DC
Off-state Leakage Current, max	2.5 mA	1.5 mA	1.5 mA	1.5 mA	1.0 mA
On-state Voltage, min	79V AC, min, 132V AC, max	10V DC	10V DC	10V DC	10V DC
On-state Current min nom max	5.0 mA @ 79V AC 47 Hz 12.0 mA @ 120V AC 60 Hz 16.0 mA @ 132V AC 63 Hz	2.0 mA @ 10V DC 8.0 mA @ 24V DC 12.0 mA @ 30V DC	2.0 mA @ 10V DC 8.0 mA @ 24V DC 12.0 mA @ 30V DC	2.0 mA @ 10V DC 8.0 mA @ 24V DC 12.0 mA @ 30V DC	1.6 mA @ 10V DC (min) 2 mA @ 15V DC (min) 5.7 mA @ 26.4V DC (max) 6.5 mA @ 30.0V DC (max)
Inrush Current, max	250 mA	—	250 mA	—	—

Attribute	1762-IA8	1762-IQ8	1762-IQ8OW6 (inputs)	1762-IQ16	1762-IQ32T
Impedance, nom	12 k Ω @ 50 Hz 10 k Ω @ 60 Hz	3 k Ω	3 k Ω	3 k Ω	4.7 k Ω
Isolated Groups	Group 1: inputs 0...7 (internally connected commons)	Group 1: inputs 0...7 (internally connected commons)	Group 1: inputs 0...3 Group 2: inputs 4...7 Group 3: outputs 0...5	Group 1: inputs 0...7 Group 2: inputs 8...15	Group 1: Inputs 0...7 Group 2 : Inputs 8...15 Group 3 : Inputs 16...23 Group 4 : Inputs 24...31
Input Group to Backplane Isolation	Verified by one of the following dielectric tests: 1517V AC for 1 s or 2145V DC for 1 s 132V AC working voltage (IEC Class 2 reinforced insulation)	Verified by one of the following dielectric tests: 1200V AC for 1 s or 1697V DC for 1 s 75V DC working voltage (IEC Class 2 reinforced insulation)	Verified by one of the following dielectric tests: Input Group to Backplane isolation - 1200V AC for 1 s or 1697V DC for 1 s 75V DC working voltage (IEC Class 2 reinforced insulation) Output Group to Backplane isolation - 1836V AC for 1 s or 2596V DC for 1 s 265V AC working voltage (IEC Class 2 reinforced insulation) Input Group to Output Group isolation - 1836V AC for 1 s or 2596V DC for 1 s 265V AC working voltage (basic insulation) 150V AC working voltage (IEC Class 2 reinforced insulation)	Verified by one of the following dielectric tests: 1200V AC for 1 s or 1697V DC for 1 s 75V DC working voltage (IEC Class 2 reinforced insulation)	Verified by one of the following dielectric tests: 1,200V AC for 2 s or 1,697V DC for 2 s 75V DC working voltage (IEC Class 2 reinforced insulation)

- (1) Sinking/Sourcing Inputs - Sourcing/sinking describes the current flow between the I/O module and the field device. Sourcing I/O circuits supply (source) current to sinking field devices. Sinking I/O circuits are driven by a current sourcing field device. Field devices connected to the negative side (DC Common) of the field power supply are sinking field devices. Field devices connected to the positive side (+V) of the field supply are sourcing field devices.
- (2) Refer to Publication [1762-IN010](#), MicroLogix 1762-IQ16 DC Input Module Installation Instructions, for the derating chart.
- (3) Only applicable to Series B I/O modules

1762 Digital Expansion Output Modules Specifications

Attribute	1762-OA8	1762-OB8	1762-OB16	1762-OB32T	1762-0V32T
Voltage Category	100...240V AC	24V DC	24V DC	24V DC source	24V DC sink
Operating Voltage Range	85...265V AC @ 47...63 Hz	20.4...26.4V DC	20.4...26.4V DC	10.2...26.4V DC	
Number of Outputs	8	8	16	32	
Number of Commons	2	1	1	2	
Bus Current Draw, max	115 mA @ 5V DC (0.575 W)	115 mA @ 5V DC (0.575 W)	175 mA @ 5V DC (0.88 W)	175 mA @ 5V DC 0 mA @ 24V DC	
Heat Dissipation, max	2.9 Total Watts	1.61 Total Watts	2.9 Total watts @ 30 °C (86 °F) 2.1 Total watts at 55 °C (131 °F)	3.4W @ 26.4V DC	2.7 W @ 26.4 V DC
Signal Delay, max - resistive load	On Delay: 1/2 cycle Off Delay: 1/2 cycle	On Delay: 0.1 ms Off Delay: 1.0 ms	On Delay: 0.1 ms Off Delay: 1.0 ms	On Delay: 0.5 ms Off Delay: 4.0 ms	
Off-state Leakage, max	2 mA @ 132V 2.5 mA @ 265V	1.0 mA	1.0 mA	0.1 mA @ 26.4V DC	
On-state Current, min	10 mA	1.0 mA	1.0 mA	1.0 mA	
On-state Voltage Drop, max	1.5V @ 0.5 A	1.0V DC	1.0Vdc	0.3V DC @ 0.5 A	
Continuous Current per Point, max	0.25 A @ 55 °C (131 °F) 0.5 A @ 30 °C (86 °F)	0.5 A @ 55 °C (131 °F) 1.0 A @ 30 °C (86 °F)	0.5 A @ 55 °C (131 °F) 1.0 A @ 30 °C (86 °F)	0.5 A @ 60 °C (140 °F)	
Continuous Current per Common, max	1.0 A @ 55° (131 °F) 2.0 A @ 30 °C (86 °F)	4.0 A @ 55 °C (131 °F) 8.0 A @ 30 °C (86 °F)	4.0 A @ 55 °C (131 °F) 8.0 A @ 30 °C (86 °F)	2.0 A @ 60 °C (140 °F)	
Continuous Current per Module, max	2.0 A @ 55 °C (131 °F) 4.0 A @ 30 °C (86 °F)	4.0 A @ 55 °C (131 °F) 8.0 A @ 30 °C (86 °F)	4.0 A @ 55 °C (131 °F) 8.0 A @ 30 °C (86 °F)	4.0 A @ 60 °C (140 °F)	
Surge Current, max	5.0 A ⁽¹⁾	2.0 A ⁽²⁾	2.0 ⁽²⁾	2.0 A (Repeatable every 2 s @ 60 °C (140 °F) for 10 ms)	

(1) Repeatability is once every 2 seconds for a durations of 25 ms.

(2) Repeatability is once every 2 seconds @ 55 °C (131 °F), once every second @ 30 °C (86 °F) for a duration of 10 ms.

1762 Digital Expansion Relay Output Modules Specifications

Attribute	1762-IQ80W6 (outputs)	1762-OW8	1762-OW16	1762-OX6I
Voltage Category	AC/DC normally open relay	AC/DC normally open relay	AC/DC normally open relay	AC/DC Type C Relay
Operating Voltage Range	5...265V AC 5...125V DC	5...265V AC 5...125V DC	5...265V AC 5...125V DC	5...265V AC 5...125V DC
Number of Outputs	6	8	16	6 (N.C., N.O.)
Number of Commons	inputs: 2 outputs: 1	2	2	6
Bus Current Draw, max	110 mA @ 5V DC (0.55 W) 80 mA @ 24V DC (1.92 W)	80 mA @ 5V DC (0.40 W) 90 mA @ 24V DC (2.16 W)	140 mA @ 5V DC (0.70 W) 180 mA @ 24V DC (4.32 W) ⁽¹⁾	110 mA @ 5V DC (0.55 W) 110 mA @ 24V DC (2.64 W)
Heat Dissipation, max	5.0 Total Watts @ 30V 4.4 Total Watts @ 26.4V	2.9 Total Watts	6.1 Watts ⁽¹⁾	2.8 Watts
Signal Delay, max - resistive load	On Delay: 10 ms Off Delay: 10 ms	On Delay: 10 ms Off Delay: 10 ms	On Delay: 10 ms Off Delay: 10 ms	On Delay: 10 ms Off Delay: 20 ms
Off-state Leakage, max	0 mA	0 mA	0 mA	0 mA
On-state Current, min	10 mA @ 5V DC	10 mA @ 5V DC	10 mA	100 mA
On-state Voltage Drop, max	N/A	N/A	N/A	N/A
Continuous Current per Point, max	2.5 A (Also see MicroLogix 1200 Controller Relay Contact Rating on page 44.)			7 A (Also see MicroLogix 1200 Controller Relay Contact Rating on page 44.)
Continuous Current per Common, max	8 A	8 A	8 A	7 A (Also see MicroLogix 1200 Controller Relay Contact Rating on page 44.)
Continuous Current per Module, max	8 A	16 A	16 A	30 A
Surge Current, max	See MicroLogix 1200 Controller Relay Contact Rating on page 44.			

(1) Only applicable to Series B I/O modules

1762 Analog Modules

1762 Analog Expansion Modules Common Specifications

Attribute	1762-IF4	1762-IF20F2	1762-OF4
Bus Current Draw, max	40 mA @ 5V DC 50 mA @ 24V DC	40 mA @ 5V DC 105 mA @ 24V DC	40 mA @ 5V DC 165 mA @ 24V DC
Analog Normal Operating Range	Voltage: -10...10V DC Current: 4...20 mA	Voltage: 0...10V DC Current: 4...20 mA	Voltage: 0...0V DC Current: 4...20 mA
Full Scale ⁽¹⁾ Analog Ranges	Voltage: -10.5...10.5V DC Current: -21...21 mA	Voltage: 0...0.5V DC Current: 0...21 mA	Voltage: 0...0.5V DC Current: 0...21 mA
Resolution	15 bits (bipolar) ⁽²⁾	12 bits (unipolar)	12 bits (unipolar)
Repeatability ⁽³⁾	±0.12% ⁽²⁾	±0.12% ⁽²⁾	±0.12% ⁽²⁾
Input and Output Group to System Isolation	30V AC/30V DC rated working voltage ⁽⁴⁾ (N.E.C. Class 2 required) (IEC Class 2 reinforced insulation) type test: 500V AC or 707V DC for 1 minute		30V AC/30V DC rated working voltage (IEC Class 2 reinforced insulation) type test: 500V AC or 707V DC for 1 minute

(1) The over- or under-range flag is set when the normal operating range is exceeded. The module continues to convert the analog input up to the maximum full scale range.

(2) Only applicable to Series B I/O modules.

(3) Repeatability is the ability of the input module to register the same reading in successive measurements for the same input signal.

(4) Rated working voltage is the maximum continuous voltage that can be applied at the terminals with respect to Earth ground.

1762 Analog Expansion Input Modules Specifications

Attribute	1762-IF4	1762-IF20F2
Number of Inputs	4 differential (bipolar)	2 differential (unipolar)
Update Time (typical)	130, 250, 290, 450, 530 ms (selectable)	2.5 ms
A/D Converter Type	Successive approximation	Successive approximation
Common Mode Voltage Range ⁽¹⁾	±27V	±27V
Common Mode Rejection ⁽²⁾	> 55 dB @ 50 and 60 Hz	> 55 dB @ 50 and 60 Hz
Non-linearity (in percent full scale)	±0.12% ⁽²⁾	±0.12% ⁽²⁾
Typical Overall Accuracy ⁽³⁾	±0.32% full scale @ -20...65 °C (-4...149 °F) ⁽⁴⁾ ±0.24% full scale @ 25 °C (77 °F)	±0.55% full scale @ -20...65 °C (-4...149 °F) ⁽⁴⁾ ±0.3% full scale @ 25 °C (77 °F)
Input Impedance	Voltage Terminal: 200 kΩ, Current Terminal: 275 Ω	Voltage Terminal: 200 kΩ, Current Terminal: 250 Ω
Current Input Protection	±32 mA	±32 mA
Voltage Input Protection	±30V	±30V
Channel Diagnostics	Over or under range or open circuit condition by bit reporting for analog inputs.	

(1) For proper operation, both the plus and minus input terminals must be within ±27V of analog common.

(2) $V_{cm} = 1 V_{pk-pk}$ AC.

(3) $V_{cm} = 0$ (includes offset, gain, non-linearity and repeatability error terms).

(4) Only applicable to Series B I/O modules

1762 Analog Expansion Output Modules Specifications

Attribute	1762-IF20F2	1762-OF4
Number of Outputs	2 single-ended (unipolar)	4 single-ended (unipolar) ⁽²⁾
Update Time (typical)	4.5 ms	2.5 ms
D/A Converter Type	Resistor string	R-2R Ladder Voltage Switching
Resistive Load on Current Output	0...500 Ω (includes wire resistance)	0...500 Ω (includes wire resistance)
Load Range on Voltage Output	> 1 kΩ	> 1 kΩ
Reactive Load, Current Output	< 0.1 mH	< 0.1 mH
Reactive Load, Voltage Output	< 1 μF	< 1 μF
Typical Overall Accuracy ⁽¹⁾	±1.17% full scale @ -20...65 °C (-4...149 °F) ⁽²⁾ , ±0.5% full scale @ 25 °C (77 °F)	±1.17% full scale @ -20...65 °C (-4...149 °F) ⁽²⁾ , ±0.5% full scale @ 25 °C
Output Ripple, range 0...500 Hz (referred to output range)	< ±0.1%	< ±0.1%
Non-linearity (in percent full scale)	< ±0.59% ⁽²⁾	< ±0.59% ⁽²⁾
Open and Short-circuit Protection	Continuous	Continuous
Output Protection	±32 mA	±32 mA

(1) Includes offset, gain, non-linearity and repeatability error terms.

(2) Only applicable to Series B I/O modules.

1762 Temperature Input Modules

Use these modules as a cost effective means of addressing process applications that require temperature measurement and control. Each channel can be individually configured by using RSLogix 500 programming software. On-screen configuration lets you choose the input type, filtering frequency, data format, and status data. On-board scaling is also provided.

1762 Temperature Expansion Input Modules Specifications

Attribute	1762-IT4	1762-IR4
Bus Current Draw, max	40 mA @ 5V DC 50 mA @ 24V DC	40 mA @ 5V DC 50 mA @ 24V DC
Number of Channels	4 input channels plus a CJC sensor	4 input channels
Accepted Inputs	Thermocouples Types: J, K, T, E, R, S, B, N, C Millivolt Input Ranges: ± 50 mV and ± 100 mV	RTDs: Platinum (385 and 3916), Copper (426), Nickel (672 and 618), Nickel-Iron (518) Resistance Ranges: 0...3000 Ω
Filter Frequency	10 Hz...1 kHz	10 Hz...1 kHz
Temperature Units	$^{\circ}\text{C}$ or $^{\circ}\text{F}$	$^{\circ}\text{C}$ or $^{\circ}\text{F}$
Data Formats	Raw/Proportional, Engineering Units, Engineering Units x 10, Scaled-for-PID, Percent Range	
Accuracy at 25 $^{\circ}\text{C}$ (77 $^{\circ}\text{F}$)	Thermocouple Inputs: ± 0.5 ... ± 3.0 $^{\circ}\text{C}$ (± 0.9 ... ± 5.4 $^{\circ}\text{F}$) depending on thermocouple type Millivolt Inputs: ± 15 ... ± 20 mV	With Autocalibration enabled... RTD Inputs: ± 0.2 ... ± 0.6 $^{\circ}\text{C}$ (± 0.36 ... ± 1.08 $^{\circ}\text{F}$) depending on RTD type Resistance Inputs: ± 0.5 ... ± 1.5 Ω depending on resistance value
Accuracy at 0...55 $^{\circ}\text{C}$ (32...131 $^{\circ}\text{F}$)	± 0.8 ... ± 10 $^{\circ}\text{C}$ (± 1.5 ... ± 18 $^{\circ}\text{F}$) depending on thermocouple type Millivolt Inputs: ± 25 ... ± 30 mV	With Autocalibration enabled... RTD Inputs: ± 0.4 ... ± 1.1 $^{\circ}\text{C}$ (± 0.72 ... ± 1.98 $^{\circ}\text{F}$) depending on RTD type Resistance Inputs: ± 0.25 ... ± 2.5 Ω depending on resistance value
Channel Update Time (typical)	7...303 ms per enabled channel + CJC update time, depending on filter selection (CJC update time is equal to the largest enabled channel's update time.)	6...303 ms per enabled channel, depending on filter selection
Channel Diagnostics	Over- or under-range and open-circuit by bit reporting	Over- or under-range or broken input by bit reporting
Calibration	The module performs autocalibration on channel enable and on a configuration change between channels. You can also program the module to calibrate every five minutes.	
Common Mode Noise Rejection	115 dB min @ 50 Hz (with 10 Hz or 50 Hz filter) 115 dB min @ 60 Hz (with 10 Hz or 60 Hz filter)	110 dB min @ 50 Hz (with 10 or 50 Hz filter) 110 dB min @ 60 Hz (with 10 or 60 Hz filter)
Normal Mode Noise Rejection	85 dB min @ 50 Hz (with 10 Hz or 50 Hz filter) 85 dB min @ 60 Hz (with 10 Hz or 60 Hz filter)	70 dB min @ 50 Hz (with 10 or 50 Hz filter) 70 dB min @ 60 Hz (with 10 or 60 Hz filter)
Input Group to System Isolation	720V DC for 1 minute	707V DC for 1 minute
Channel-to-Channel Isolation	± 10 V DC	± 10 V DC
Repeatability ⁽¹⁾	Thermocouples at 25 $^{\circ}\text{C}$ (77 $^{\circ}\text{F}$) and 10 Hz filter selected: ± 0.1 ... ± 2.0 $^{\circ}\text{C}$ (± 0.18 ... ± 3.6 $^{\circ}\text{F}$) depending on thermocouple type Millivolt Inputs: ± 6 μV	± 0.1 $^{\circ}\text{C}$ (± 0.18 $^{\circ}\text{F}$) for Nickel and Nickel-Iron ± 0.2 $^{\circ}\text{C}$ (± 0.36 $^{\circ}\text{F}$) for other RTD inputs ± 0.04 Ω for 150 Ω resistances ± 0.2 Ω for other resistances
Input Impedance	>10 M Ω	>10 M Ω

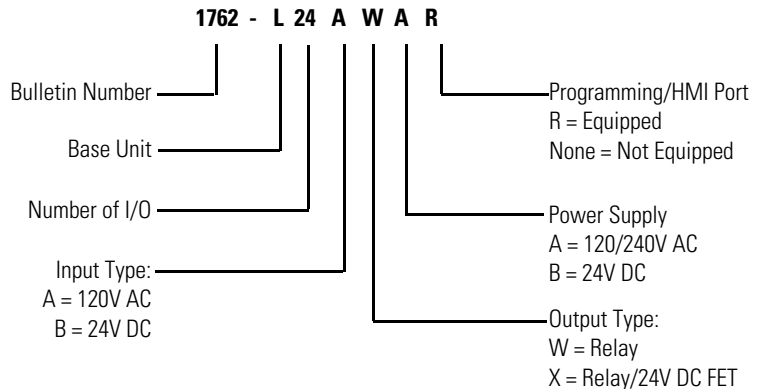
(1) Repeatability is the ability of the input module to register the same reading in successive measurements for the same input signal.

Select MicroLogix 1200 Controllers

MicroLogix 1200 Controllers Catalog Number Detail

Step 7 - Select:

- controller - review power and I/O configurations to select a controller catalog number; see power supply and I/O specifications for more detailed information
- accessories - memory and real-time clock modules
- record your selection in the [Fill in Your Selection Listing on page 55](#)



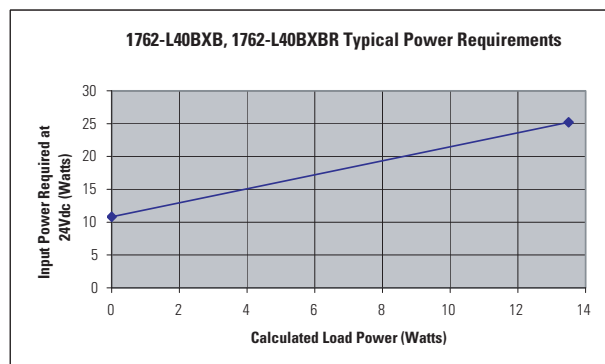
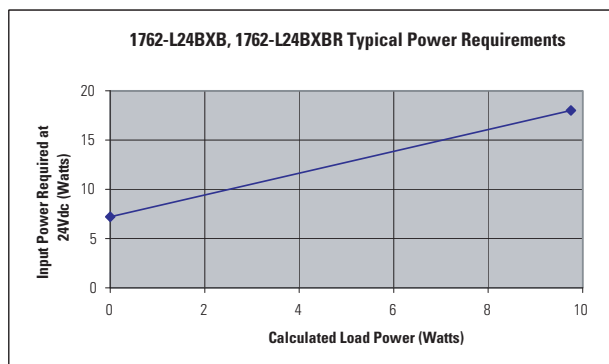
MicroLogix 1200 Controller Power and I/O Configuration

Cat. No.	Line Voltage	Number of Inputs	Number of Outputs	High Speed I/O
1762-L24AWA, -L24AWAR	120/240V AC	(14) 120V AC	(10) Relay	N/A
1762-L40AWA, -L40AWAR	120/240V AC	(24) 120V AC	(16) Relay	N/A
1762-L24BWA, -L24BWAR	120/240V AC	(10) Standard 24V DC (4) Fast 24V DC	(10) Relay	(4) 20 kHz input
1762-L40BWA, -L40BWAR	120/240V AC	(20) Standard 24V DC (4) Fast 24V DC	(16) Relay	(4) 20 kHz input
1762-L24BXB, -L24BXBR	24V DC	(10) Standard 24V DC (4) Fast 24V DC	(5) Relay (4) Standard 24V DC FET (1) Fast 24V DC FET	(4) 20 kHz input (1) 20 kHz output
1762-L40BXB, -L40BXBR	24V DC	(20) Standard 24V DC (4) Fast 24V DC	(8) Relay (7) Standard 24V DC FET (1) Fast 24V DC FET	(4) 20 kHz input (1) 20 kHz output

MicroLogix 1200 Controller Power Supply Specifications

Attribute	1762-					
	L24AWA, L24AWAR	L40AWA, L40AWAR	L24BWA, L24BWAR	L40BWA, L40BWAR	L24BXB, L24BXBR	L40BXB, L40BXBR
Power Supply Voltage	85...265V AC @ 47...63 Hz				20.4...26.4V DC Class 2 SELV	
Power Consumption	68 VA	80 VA	70 VA	82 VA	27 W	40 W
Power Supply Inrush Current, max	120V AC: 25 A for 8 ms 240V AC: 40 A for 4 ms				24V DC: 15 A for 20 ms	24V DC: 15 A for 30 ms
Load Current ⁽¹⁾ , max	5V DC	400 mA	600 mA	400 mA	600 mA	400 mA
	24V DC	350 mA	500 mA	350 mA	500 mA	350 mA
Load Power, max	10.4 W	15 W	12 W	16 W	10.4 W	15 W
24V DC Sensor Power	—	—	250 mA, 400 µF capacitance, max	400 mA, 400 µF capacitance, max	—	—

(1) See [Perform MicroLogix 1200 Controller System Expansion Calculations on page 46](#) for an example system validation worksheet to calculate expansion I/O power usage.

MicroLogix 1200 Controller DC Input Power Requirements for BXB Units

MicroLogix 1200 Controller Input Specifications

Attribute	1762-L24AWA, 1762-L24AWAR 1762-L40AWA, 1762-L40AWAR	1762-L24BWA, 1762-L24BXB, 1762-L40BWA, 1762-L40BXB 1762-L24BWAR, 1762-L24BXBR, 1762-L40BWAR, 1762-L40BXBR	
		Inputs 0 through 3	Inputs 4 and higher
On-state Voltage Range	79...132V AC @ 47 Hz...63 Hz	14...26.4V DC @ 55 °C (131 °F) 14...30.0V DC @ 30 °C (86 °F)	10...26.4V DC @ 55 °C (131 °F) 10...30.0V DC @ 30 °C (86 °F)
Off-state Voltage Range	0...20V AC	0...5V DC	
Operating Frequency	N/A	0 Hz...20 kHz	0 Hz...1 kHz (scan time dependent)
Signal Delay, max	ON Delay = 20 ms OFF Delay = 20 ms	Standard inputs: selectable from 0.5...16 ms high-speed inputs: selectable from 0.025...16 ms	
On-state Current: min nom max	5.0 mA @ 79V AC 12 mA @ 120V AC 16.0 mA @ 132V AC	2.5 mA @ 14V DC 7.3 mA @ 24V DC 12.0 mA @ 30V DC	2.0 mA @ 10V DC 8.9 mA @ 24V DC 12.0 mA @ 30V DC
Off-state Leakage Current, max	2.5 mA, max	1.5 mA, min	
Impedance, nom	12 k Ω @ 50 Hz 10 k Ω @ 60 Hz	3.3 k Ω	2.7 k Ω
Inrush Current, max	250 mA at 120V AC	—	

MicroLogix 1200 Controller Digital Output Specifications

Attribute	1762-		
	L24AWA, L24BWA, L24BXB, L40AWA, L40BWA, L40BXB, L24AWAR, L24BWAR, L24BXHR, L40AWAR, L40BWAR, L40BXHR	L24BXB, L40BXB, L24BXHR, L40BXHR	
	Relay	FET Standard Operation	FET High-speed Operation (Output 2 only)
Operating Voltage Range	5...125V DC 5...264V AC	21.6...27.6V DC	21.6...27.6V DC
Continuous Current per Point, max	See MicroLogix 1200 Controller Relay Contact Rating on page 44 .	See MicroLogix 1100 Controller FET Standard Outputs Continuous Current per Point, max on page 33 .	100 mA
Continuous Current per Common, max	8.0 A	7.5 A for L24BXB, L24BXHR 8.0 A for L40BXB, L40BXHR	
Continuous Current per Controller, max	30 A or total of per-point loads, whichever is less at 150V max 20 A or total of per-point loads, whichever is less at 240V max		
On-state Current, min	10.0 mA	1 mA	10.0 mA
Off-state Leakage Current, max	0 mA	1 mA	
Signal Delay, max - resistive load	ON Delay = 10 ms OFF Delay = 10 ms	ON Delay = 0.1 ms OFF Delay = 1.0 ms	ON Delay = 6 μs OFF Delay = 18 μs
Surge Current per Point (peak)	—	4 A for 10 ms ⁽¹⁾	

(1) Repeatability is once every 2 seconds @ 55 °C (131 °F), once every 1 second @ 30 °C (86 °F).

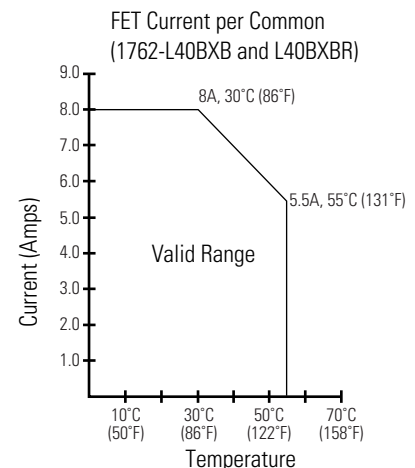
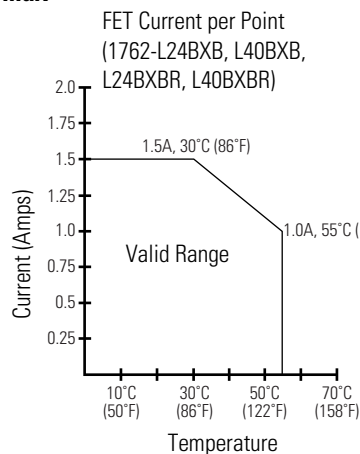
MicroLogix 1200 Controller Relay Contact Rating

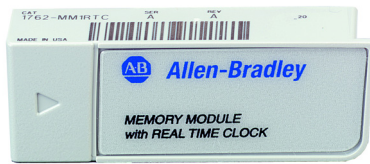
Voltage, max	Amperes		Amperes Continuous	Voltamperes	
	Make	Break		Make	Break
240V AC	7.5 A	0.75 A	2.5 A ⁽¹⁾	1800 VA	180 VA
120V AC	15 A	1.5 A			
125V DC	0.22 A ⁽²⁾		1.0 A	28 VA	
24V DC	1.2 A ⁽¹⁾		2.0 A		

(1) 1.5 A above 40°C.

(2) For DC voltage applications, the make/break ampere rating for relay contacts can be determined by dividing 28 VA by the applied DC voltage. For example, 28 VA/48V DC = 0.58 A. For DC voltage applications less than 48V, the make/break ratings for relay contacts cannot exceed 2 A. For DC voltage applications greater than 48V, the make/break ratings for relay contact cannot exceed 1 A.

MicroLogix 1200 Controller FET Standard Outputs Continuous Current per Point, max





MicroLogix 1200 Memory and Real-Time Clock Modules

The controller is shipped with a memory module port cover in place. You can order the memory module, real-time clock, or combination module to suit your needs.

Real-time Clock (1762-RTC)

- Allows for time/date scheduling
- Self-contained battery provides long-term time base

Memory Module (1762-MM1)

- User program and data back-up
- Program compare
- Data file protection
- Memory module write protection
- Removal/insertion under power

Combination Memory and Real-time Clock Module (1762-MM1RTC)

Provides all real-time clock and memory back-up functions of the 1762-RTC and 1762-MM1 modules

Select MicroLogix 1200 Expansion I/O

Step 8 - Select:

- I/O modules - digital, analog, and temperature
- perform system expansion calculations
- record your selections in the [Fill in Your Selection Listing on page 55](#)

MicroLogix 1200 controllers expand by using the same 1762 I/O platform as MicroLogix 1100 controllers. The 1762 I/O expansion modules provide superior functionality in a small sized low-cost package. A variety of modules complement and extend the capabilities of MicroLogix 1200 controllers by maximizing the flexibility of I/O count and type.

The MicroLogix 1200 system design allows modules to be either DIN rail or panel mounted. The DIN latches and screw mounting holes are an integral part of the package design.

Controller I/O can be expanded by using up to six expansion modules per controller (depending on power budget).

See [Select MicroLogix 1100 Expansion I/O on page 34](#) for available modules and specifications.

1762 Expansion I/O Modules Connected to a MicroLogix 1200 Controller



Perform MicroLogix 1200 Controller System Expansion Calculations

A download is also available for system validation. On the Internet, go to <http://www.ab.com/micrologix>.

To have a valid system, both current and power requirements must be satisfied. Use the following worksheets to make your calculations.

Follow these steps to verify the controller power supply loading.

1. Use the following table to select the components for your system. Do not exceed the MAXIMUM LIMIT for the number of I/O modules.
2. Fill in the current amounts and add up the TOTAL CALCULATED CURRENT.

MicroLogix 1200 Controller Power Supply Loading - Calculate System Current

Cat. No.	Bus Current Draw Attribute		Calculated Current for System		
	at 5V DC (mA)	at 24V DC (mA)	at 5V DC (mA)	at 24V DC (mA)	
1761-NET-AIC ⁽¹⁾⁽²⁾	0	120 ⁽²⁾			
1761-NET-ENI, 1761-NET-ENIW ⁽¹⁾⁽²⁾	0	100 ⁽²⁾			
2707-MVH232 or 2707-MVP232 ⁽¹⁾⁽²⁾	0	80 ⁽²⁾			
Cat. No.	n = Number of Modules (6 max)	A	B	n x A	n x B
1762-IA8		50	0		
1762-IQ8		50	0		
1762-IQ8OW6		110	80		
1762-IQ16 (Series A)		60	0		
1762-OA8		115	0		
1762-OB8		115	0		
1762-OB16		175	0		
1762-OW8		80	90		
1762-OW16 (Series A)		120	140		
1762-OX6I		110	110		
1762-IF2OF2		40	105		
1762-IF4		40	50		
1762-OF4		40	165		
1762-IR4		40	50		
1762-IT4		40	50		
1762-OV32T		175	0		
1762-OB32T		175	0		
1762-IQ32T		170	0		
1762-IQ16 (Series B)		70	0		
1762-OW16 (Series B)		140	180		
TOTAL MODULES:		TOTAL CALCULATED CURRENT:		(C)	(D)
For 1762-L24BWA, 1762-L40BWA, 1762-L24BWAR, and 1762-L40BWAR only, add sum of any User 24V DC Sensor Current				(E)	

(1) These are optional accessories. Current is consumed only if the accessory is installed.

(2) Current for the 1761-NET-AIC or 1761-NET-ENI(W) can be supplied by the controller's communication port or from an external 24V DC source. No current is consumed from the controller when a user-supplied, external source is used. If an external source is to be used, do not select the device here. The current for a 2707-MVH232 or 2707-MVP232 MicroView Operator Interface is supplied from the controller's communication port, if directly connected.

3. Using the table below, verify that (C), (D), and (E) do not exceed the MAXIMUM LIMITS. If the MAXIMUM LIMIT is exceeded, you will need to adjust your selections.

MicroLogix 1200 Controller Maximum Load Current

Cat. No.	Load Current	5V DC	24V DC	User 24V DC Sensor Current
1762-L24AWA 1762-L24AWAR 1762-L24BXB, 1762-L24BXBR	Calculated Value	(C)	(D)	N/A
	MAXIMUM LIMIT	400 mA	350 mA	
1762-L24BWA 1762-L24BWAR	Calculated Value	(C)	(D)	(E)
	MAXIMUM LIMIT	400 mA	350 mA	250 mA
1762-L40AWA 1762-L40AWAR 1762-L40BXB, 1762-L40BXBR	Calculated Value	(C)	(D)	N/A
	MAXIMUM LIMIT	600 mA	500 mA	
1762-L40BWA 1762-L40BWAR	Calculated Value	(C)	(D)	(E)
	MAXIMUM LIMIT	600 mA	500 mA	400 mA

4. Use the table below to verify that the system is within the power loading limits of the controller.

Fill in the (C), (D), and (E) values where indicated. Then calculate Watts and add up the Total Watts. Verify that Total Watts does not exceed the MAXIMUM POWER LIMIT. If the MAXIMUM POWER LIMIT is exceeded, you will need to adjust your selections.

MicroLogix 1200 Controller Maximum Load Power

Cat. No.	5V Power Consumption Calculated Watts			24V Power Consumption Calculated Watts			Calculated Watts (sum of 5V and 24V)	MAXIMUM POWER LIMIT
	(C)	x 5V	= W	(D)	x 24V	= W		
1762-L24AWA 1762-L24AWAR	(C)	x 5V	= W	(D)	x 24V	= W	W	10.4 W
1762-L24BXB 1762-L24BXBR	(C)	x 5V	= W	(D)	x 24V	= W	W	10.4 W
1762-L24BWA 1762-L24BWAR	(C)	x 5V	= W	(D)+(E)	x 24V	= W	W	12 W
1762-L40AWA 1762-L40AWAR	(C)	x 5V	= W	(D)	x 24V	= W	W	15 W
1762-L40BXB 1762-L40BXBR	(C)	x 5V	= W	(D)	x 24V	= W	W	15 W
1762-L40BWA 1762-L40BWAR	(C)	x 5V	= W	(D)+(E)	x 24V	= W	W	16 W

Select MicroLogix 1400 Controllers

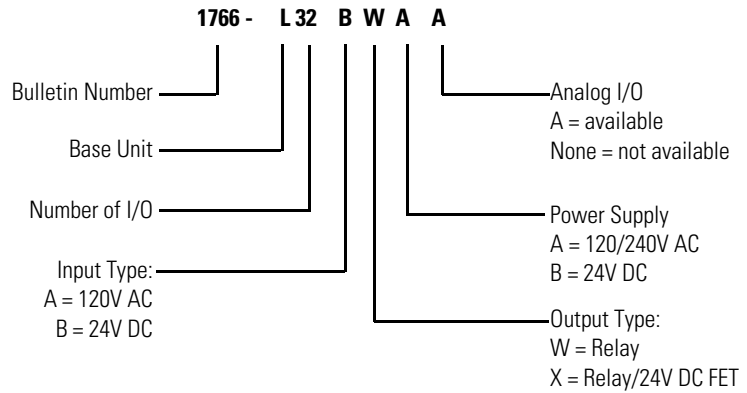
MicroLogix 1400 Base Units

The base unit houses embedded inputs, outputs, power supply, and communication ports. The base unit also provides the interface to expansion I/O when required by an application.

Step 9 - Select:

- controller - review power and I/O configurations to select a controller catalog number; see power supply and I/O specification for more detailed information
- accessories - memory modules
- record your selection in the [Fill in Your Selection Listing on page 55](#)

MicroLogix 1400 Controller Catalog Number Detail



MicroLogix 1400 Controller Power and I/O Configuration

Cat. No.	Line Voltage	Number of Inputs	Number of Outputs	Embedded Analog I/O
1766-L32BWA	120/240V AC	(12) Fast 24V DC (8) Normal 24V DC	(12) Relay	—
1766-L32AWA	120/240V AC	(20) 120V AC	(12) Relay	—
1766-L32BXB	24V DC	(12) Fast 24V DC (8) Normal 24V DC	(6) Relay (3) Fast 24V DC (3) Normal 24V DC	—
1766-L32BWAA	120/240V AC	(12) Fast 24V DC (8) Normal 24V DC	(12) Relay	(4) Voltage Inputs (2) Voltage Outputs
1766-L32AWAA	120/240V AC	(20) 120V AC	(12) Relay	(4) Voltage Inputs (2) Voltage Outputs
1766-L32BXBA	24V DC	(12) Fast 24V DC (8) Normal 24V DC	(6) Relay (3) Fast 24V DC (3) Normal 24V DC	(4) Voltage Inputs (2) Voltage Outputs

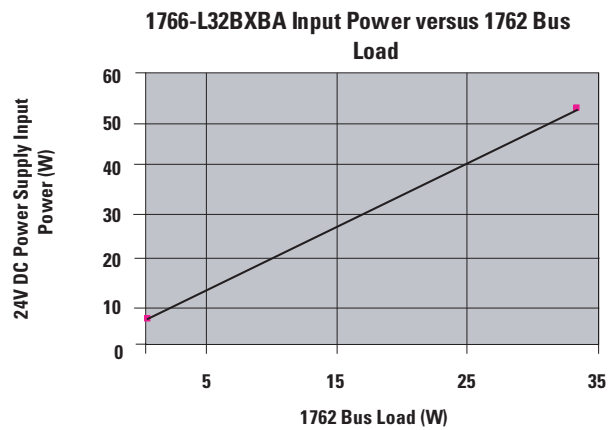
MicroLogix 1400 Controller Power Supply Specifications

Attribute	1766-L32AWA, 1766-L32AWAA	1766-L32BWA, 1766-L32BWAA	1766-L32BXB, 1766-L32BXBA
Power Supply Voltage	100...240V AC (-15%, 10%) at 47...63 Hz		24V DC (-15%, 10%) Class 2 SELV

MicroLogix 1400 Controller Power Supply Specifications

Attribute	1766-L32AWA, 1766-L32AWAA	1766-L32BWA, 1766-L32BWAA	1766-L32BXB, 1766-L32BXBA
Power Consumption	100 VA	120 VA	7.5...53 W
Power Supply Inrush Current, max	120V AC: 25 A for 8 ms 240V AC: 40 A for 4 ms		24V DC: 15 A for 20 ms
24V DC Sensor Power	—	24V DC at 250 mA, 400µF capacitance, max	—

MicroLogix 1400 Controller DC Input Power Requirements for 1766-L32BXB and 1766-L32BXBA Units



MicroLogix 1400 Controller Digital Input Specifications

Attribute	1766-L32AWA, 1766-L32AWAA	1766-L32BWA, 1766-L32BWAA, 1766-L32BXB, 1766-L32BXBA	
		Inputs 0...11 (12 high-speed DC inputs)	Inputs 12 and above (8 standard DC inputs)
On-state Voltage Range	79...132V AC	4.5...24V DC 4.5...26.4V DC at 60 °C (140 °F) 4.5...30V DC at 30 °C (86 °F)	10...24V DC 10...26.4V DC at 60 °C (140 °F) 10...30V DC at 30 °C (86 °F)
Off-state Voltage Range	0...20V AC	0...1.5V DC	0...5V DC
Operating Frequency	47...63 Hz	0 Hz...100 kHz	0 Hz...1 kHz (scan time dependent)
On-state Current min nom max	5.0 mA @ 79 V AC 12 mA @ 120 V AC 16.0 mA @ 132 V AC	7.1 mA @ 4.5V DC 9.9 mA @ 24V DC 10.5 mA @ 30V DC	3.2 mA @ 10V DC 5.3 mA @ 24V DC 5.5 mA @ 30V DC
Off-state Leakage Current, max	2.5 mA, max	0.2 mA, max	1.5 mA, max
Impedance, nom	12 k Ω at 50 Hz 10 k Ω at 60 Hz	2.4 k Ω	4.5 k Ω
Inrush Current, max	250 mA		

MicroLogix 1400 Controller Analog Input Specifications

Attribute	Value
Voltage Input Range	0...10.0V DC - 1 LSB
Type of Data	12-bit unsigned integer
Input Coding (0...10V DC)	0...4095
Voltage Impedance	>199 k Ω
Input Resolution	12 bit
Non-linearity (in percent full scale)	\pm 0.5% of full scale
Overall Accuracy	\pm 1.0% of full scale
Update Time	100/20/16.67/4 ms (selectable)
Voltage Input Overvoltage Protection	10.5 V DC
Field Wiring to Logic Isolation	Non-isolated with internal logic

MicroLogix 1400 Controller Analog Output Specifications

Attribute	Value
Voltage Output Range	0...10.0V DC - 1 LSB
Type of Data	12-bit unsigned integer
Step Response	2.5 ms @ 95%
Output Coding (0...10V DC)	0...4095
Load Range Voltage Output	>1 k Ω
Output Resolution	12 bit
Analog Output Setting Time	3 ms, max
Overall Accuracy	\pm 1.0% of full scale
Electrical Isolation	Non-isolated with internal logic
Cable Length	30 m (98 ft) shielded cable

Specifications for MicroLogix 1400 Controller Outputs

Relay and FET Outputs

Attribute		1766-L32AWA, 1766-L32AWAA, 1766-L32BWA, 1766-L32BWAA	1766-L32BXB, 1766-L32BXBA
Controlled Load, max		1440 VA	1080 VA
Continuous Current, max			
Current per Channel and Group Common		2.5 A per channel 8 A max channel 8...11 common	2.5 A per channel
Current per Controller	@ 150V, max	28 A or total of per-point loads, whichever is less	
	@ 240V, max	20 A or total of per-point loads, whichever is less	

Relay Outputs

Attribute	Value
Turn On Time/Turn Off Time	10 ms, max ⁽¹⁾
Load Current	10 mA

(1) Scan time dependent.

Relay Contact Rating⁽¹⁾

Voltage, max	Amperes		Amperes Continuous	Voltamperes	
	Make	Break		Make	Break
240V AC	7.5 A	0.75 A	2.5 A	1800 VA	180 VA
120V AC	15 A	1.5 A			
250V DC	0.11 A		1.0 A	28 VA	
125V DC	0.22 A		1.0 A	28 VA	

(1) Pilot Duty Rating (at Relay Contact Ratings): C300, R300.

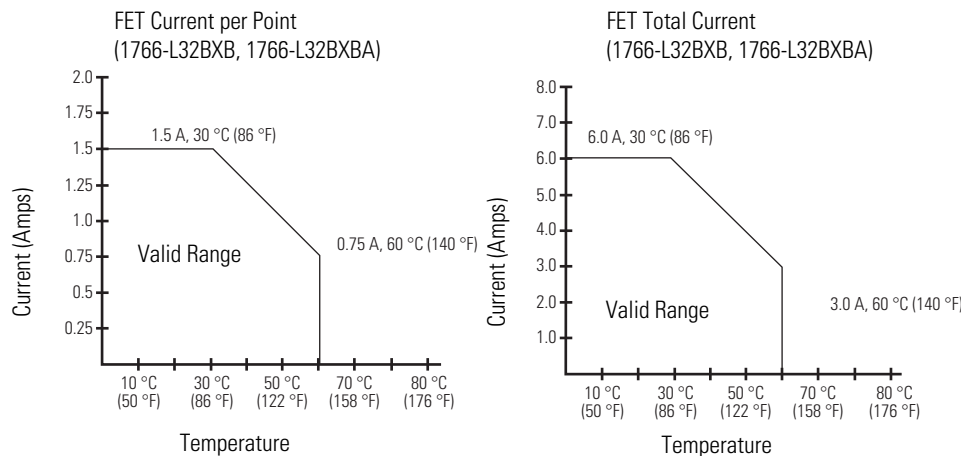
1766-L32BXB, 1766-L32BXBA FET Outputs

Attribute	General Operation	High-speed Operation (outputs 2, 3, and 4 only) ⁽¹⁾
Power Supply Voltage (Class 2)	24V DC (-15%, +10%)	
On-state Voltage Drop at maximum load current at maximum surge current	1V DC 2.5V DC	Not Applicable Not Applicable
Current Rating per Point maximum load minimum load maximum leakage	See chart 1.0 mA 1.0 mA	100 mA 20 mA 1.0 mA

1766-L32BXB, 1766-L32BXBA FET Outputs

Attribute	General Operation	High-speed Operation (outputs 2, 3, and 4 only) ⁽¹⁾
Surge Current per Point peak current	4.0 A	Not Applicable
maximum surge duration	10 ms	Not Applicable
maximum rate of repetition at 30 °C (86 °F)	once every second	Not Applicable
maximum rate of repetition at 65 °C (149 °F)	once every 2 seconds	Not Applicable
Turn-on Time, max	11 μs	28 ns
Turn-off Time, max	89 μs	2.3 μs

(1) Output 2, 3, and 4 are designed to provide increased functionality over the other FET outputs. Outputs 2, 3, and 4 may be used like the other FET transistor outputs, but in addition, within a limited current range, they may be operated at a higher speed. Outputs 2, 3, and 4 also provide a pulse train output (PTO) or pulse width modulation output (PWM) function.

MicroLogix 1400 Controller FET Standard Outputs**MicroLogix 1400 Memory Module (1766-MM1)**

The controller is shipped with a memory module port cover in place. You can order the memory module to provide removable backup of your User Program and User Data, or to transport your program between controllers.

Memory modules allow:

- user programs and data to be store as backup.
- transport programs for use with other controllers.
- special safety/security features for press control and other critical applications.
- auto-recovery, through a power cycle, after a controller fault.
- comparison of programs.
- data file and memory module write protection.
- removal/insertion under power.

Select MicroLogix 1400 Expansion I/O

Step 10 - Select:

- I/O modules - digital, analog, and temperature
- record your selections in the [Fill in Your Selection Listing on page 55](#)

MicroLogix 1400 controllers expand by using the same 1762 I/O platform as MicroLogix 1100 controllers. The 1762 I/O expansion modules provide superior functionality in a small sized low-cost package. A variety of modules complement and extend the capabilities of MicroLogix 1400 controllers by maximizing the flexibility of I/O count and type.

The MicroLogix 1400 system design allows modules to be either DIN rail or panel mounted. The DIN latches and screw mounting holes are an integral part of the package design.

Controller I/O can be expanded by using up to seven expansion modules per controller.

See [Select MicroLogix 1100 Expansion I/O on page 34](#) for available modules and specifications.

1762 Expansion I/O Modules Connected to a MicroLogix 1400 Controller



Select Replacement Parts

Step 11 - Select:

- replacement parts
- record your selections in the [Fill in Your Selection Listing on page 55](#)

MicroLogix 1100 Replacement Part

Description	Cat. No.
Replacement Battery	1763-BA

MicroLogix 1200 Replacement Parts

Description	Cat. No.
Replacement Removable Terminal Block — (1) 25-pt double row, (1) 29-point double row for 1762-L40AWA and -L40BWA	1762-RPLRTB40

MicroLogix 1400 Replacement Parts

Description	Cat. No.
Replacement Battery	1747-BA
Replacement Removable Terminal Block — (1) 25-pt double row, (1) 29-point double row for all 1766-L32.xxx	1762-RPLRTB40

Fill in Your Selection Listing

Step 12 - Select:

- all catalog numbers required for your system specification

Master List of Catalog Numbers

Cat. No.	Description	Quantity Selected
MicroLogix 1100 Controllers and Accessories		
1763-L16AWA	MicroLogix 1100 16-Point AC Controller	
1763-L16BWA	MicroLogix 1100 16-Point AC Controller	
1763-L16BBB	MicroLogix 1100 16-Point DC Controller	
1763-L16DWD	MicroLogix 1100 16-Point DC Controller	
1763-MM1	MicroLogix 1100 Memory Module	
MicroLogix 1200 Controllers and Accessories		
1762-L24AWA	MicroLogix 1200 24-Point AC Controller	
1762-L24AWAR	MicroLogix 1200 24-Point AC Controller with Programming/HMI Port	
1762-L24BWA	MicroLogix 1200 24-Point AC Controller	
1762-L24BWAR	MicroLogix 1200 24-Point AC Controller with Programming/HMI Port	
1762-L24BXB	MicroLogix 1200 24-Point DC Controller	
1762-L24BXBR	MicroLogix 1200 24-Point DC Controller with Programming/HMI Port	
1762-L40AWA	MicroLogix 1200 40-Point AC Controller	
1762-L40AWAR	MicroLogix 1200 40-Point AC Controller with Programming/HMI Port	
1762-L40BWA	MicroLogix 1200 40-Point AC Controller	
1762-L40BWAR	MicroLogix 1200 40-Point AC Controller with Programming/HMI Port	
1762-L40BXB	MicroLogix 1200 40-Point DC Controller	
1762-L40BXBR	MicroLogix 1200 40-Point DC Controller with Programming/HMI Port	
1762-MM1	MicroLogix 1200 Memory Module	
1762-MM1RTC	MicroLogix 1200 Memory Module with Real-Time Clock	
1762-RTC	MicroLogix 1200 Real-Time Clock Module	
MicroLogix 1100/1200/1400 I/O		
1762-IA8	8-Point 120V AC Input Module	
1762-IF2OF2	Combination 2-Channel Input 2-Channel Output Voltage/Current Analog Module	
1762-IF4	4-Channel Voltage/Current Analog Input Module	
1762-IQ16	16-Point Sink/Source 24V DC Input Module	
1762-IQ8	8-Point Sink/Source 24V DC Input Module	
1762-IQ8OW6	8 Point Sink/Source 24V DC Input/6-Point AC/DC Relay Output Combination Module	
1762-IR4	4-Channel RTD/Resistance Input Module	
1762-IT4	4-Channel Thermocouple/mV Input Module	
1762-OA8	8-Point 120/240V AC Triac Output Module	
1762-OB16	16-Point Sourcing 24V DC Output Module	

Master List of Catalog Numbers

Cat. No.	Description	Quantity Selected
1762-OB8	8-Point Sourcing 24V DC Output Module	
1762-OF4	4-Channel Voltage/Current Analog Output Module	
1762-OW16	16-Point AC/DC Relay Output Module	
1762-OW8	8-Point AC/DC Relay Output Module	
1762-OX6I	6-Point Isolated AC/DC Relay Output Module	
1762-OV32T	Solid State 24V DC Sink Output Module	
1762-OB32T	Solid State 24V DC Source Output Module	
1762-IQ32T	DC Input Module	
MicroLogix 1400 Controllers and Accessories		
1766-L32BWA	MicroLogix 1400 32-point AC controller	
1766-L32AWA	MicroLogix 1400 32-point AC controller	
1766-L32BXB	MicroLogix 1400 32-point DC controller	
1766-L32BWAA	MicroLogix 1400 32-point AC controller with Analog	
1766-L32AWAA	MicroLogix 1400 32-point AC controller with Analog	
1766-L32BXBA	MicroLogix 1400 32-point DC controller with Analog	
1766-MM1	MicroLogix 1400 Memory Module	
Programming Tools and Software		
1747-UIC	Universal Serial Bus (USB) to DH-485 Interface Converter	
9324-RL0100ENE	RSLogix 500 Starter	
9324-RL0300ENE	RSLogix 500 Programming for the SLC 500 and MicroLogix Families	
9324-RL0700NXENE	RSLogix 500 Professional	
9324-RLM0100ENE	RSLogix Micro Starter	
9324-RLM0800ENE	RSLogix Micro Professional	
Cables		
1747-CP3	SLC 5/03, SLC 5/04, and SLC 5/05 RS-232 Programmer Cable	
1761-CBL-AC00	RS-232 Operating Cable, 9-Pin D Shell to 9-Pin D Shell (MicroLogix), 0.5 m (1.5 ft)	
1761-CBL-AM00	RS-232 Operating Cable, 8-Pin Mini DIN to 8-Pin Mini DIN (MicroLogix), 0.5 m (1.5 ft)	
1761-CBL-AP00	RS-232 Operating Cable, 8-Pin Mini DIN to 9-Pin D Shell (MicroLogix), 0.5 m (1.5 ft)	
1761-CBL-AS03	Controller/DH-485 Cable, 6-Pin Phoenix to RJ45, 3 m (10 ft)	
1761-CBL-AS09	Controller/DH-485 Cable, 6-Pin Phoenix to RJ45, 9.5 m (31 ft)	
1761-CBL-HM02	RS-232 Operating/Programming Cable, 8-Pin Mini DIN to 8-Pin Mini DIN (MicroLogix), 2 m (6.5 ft)	
1761-CBL-PM02	RS-232 Operating/Programming Cable, 8-Pin Mini DIN to 9-Pin D Shell (MicroLogix), 2 m (6.5 ft)	
1761-CBL-PH02	RS-232 Operating/Programming Cable, 8-pin Mini DIN with lock mechanism to 9-pin D Shell, 2 m (6.5 ft)	
1761-CBL-AH02	RS-232 Operating/Programming Cable, 8-pin Mini DIN with lock mechanism to 8-pin Mini DIN with lock mechanism, 2 m (6.5 ft)	
1763-NC01	DH-485 cable, 8-Pin Mini DIN to 6-Pin Phoenix	
2711-CBL-HM05	RS-232 Operating Cable, 8-Pin Mini DIN to 8-Pin Mini DIN (PanelView 300 Micro to MicroLogix), 5 m (16.4 ft)	
2711-CBL-HM10	RS-232 Operating Cable, 8-Pin Mini DIN to 8-Pin Mini DIN (PanelView 300 Micro to MicroLogix), 10 m (32.7 ft)	
2711-CBL-PM05	RS-232 Operating/Programming Cable, 9-Pin D Shell to 8-Pin Mini DIN (PanelView 300 Micro to SLC or PLC), 5 m (16.4 ft)	
2711-CBL-PM10	RS-232 Operating/Programming Cable, 9-Pin D Shell to 8-Pin Mini DIN (PanelView 300 Micro to SLC or PLC), 10 m (32.7 ft)	
Replacement Parts		

Master List of Catalog Numbers

Cat. No.	Description	Quantity Selected
1747-BA	Lithium Battery (For RAM Memory Retention) for MicroLogix 1400 controllers	
1762-RPLRTB40	Replacement Terminal Block for all 1762-L40xxxx and all 1766-L32xxxx Controllers	
1763-BA	Lithium Battery for MicroLogix 1100 controllers	

For More Information

Visit the MicroLogix website at <http://www.ab.com/micrologix> to learn more about MicroLogix products and download MicroLogix software utilities and firmware updates. Software utilities are available for configuring the ENI network interface devices. System validation worksheets are available to determine I/O power usage.

You can view or download publications at <http://literature.rockwellautomation.com>. To order paper copies of technical documentation, contact your local Rockwell Automation distributor or sales representative.

Notes:

Rockwell Automation Support

Rockwell Automation provides technical information on the Web to assist you in using its products.

At <http://www.rockwellautomation.com/support/>, you can find technical manuals, a knowledge base of FAQs, technical and application notes, sample code and links to software service packs, and a MySupport feature that you can customize to make the best use of these tools.

For an additional level of technical phone support for installation, configuration, and troubleshooting, we offer TechConnect support programs. For more information, contact your local distributor or Rockwell Automation representative, or visit <http://www.rockwellautomation.com/support/>.

Installation Assistance

If you experience a problem within the first 24 hours of installation, review the information that is contained in this manual. You can contact Customer Support for initial help in getting your product up and running.

United States or Canada	1.440.646.3434
Outside United States or Canada	Use the Worldwide Locator at http://www.rockwellautomation.com/support/americas/phone_en.html , or contact your local Rockwell Automation representative.

New Product Satisfaction Return

Rockwell Automation tests all of its products to ensure that they are fully operational when shipped from the manufacturing facility. However, if your product is not functioning and needs to be returned, follow these procedures.

United States	Contact your distributor. You must provide a Customer Support case number (call the phone number above to obtain one) to your distributor to complete the return process.
Outside United States	Please contact your local Rockwell Automation representative for the return procedure.

Documentation Feedback

Your comments will help us serve your documentation needs better. If you have any suggestions on how to improve this document, complete this form, publication [RA-DU002](#), available at <http://www.rockwellautomation.com/literature/>.

Allen-Bradley, CompactLogix, ControlLogix, FlexLogix, MicroLogix, PanelView, Rockwell Automation, Rockwell Software, RSLogix 500, RSNetWorx, SLC, SLC 500, and TechConnect are trademarks of Rockwell Automation, Inc.
EtherNet/IP is a trademark of ODVA, Inc.
Trademarks not belonging to Rockwell Automation are property of their respective companies.

Rockwell Otomasyon Ticaret A.Ş., Kar Plaza İş Merkezi E Blok Kat:6 34752 İçerenköy, İstanbul, Tel: +90 (216) 5698400

www.rockwellautomation.com

Power, Control and Information Solutions Headquarters

Americas: Rockwell Automation, 1201 South Second Street, Milwaukee, WI 53204-2496 USA, Tel: (1) 414.382.2000, Fax: (1) 414.382.4444

Europe/Middle East/Africa: Rockwell Automation NV, Pegasus Park, De Kleetlaan 12a, 1831 Diegem, Belgium, Tel: (32) 2 663 0600, Fax: (32) 2 663 0640

Asia Pacific: Rockwell Automation, Level 14, Core F, Cyberport 3, 100 Cyberport Road, Hong Kong, Tel: (852) 2887 4788, Fax: (852) 2508 1846

Publication 1761-SG001H-EN-P - February 2019

Supersedes Publication 1761-SG001G-EN-P - August 2015

Copyright © 2019 Rockwell Automation, Inc. All rights reserved.